



- Extremely durable to mechanical deterioration
- Designed for use in arctic and tropical waters
- Small dimensions - low weight
- Resistant to vibrations
- Lens of through-coloured glass, no decolouration throughout the lifetime of the lantern.
- The lens can easily be cleaned for paint, bird droppings, pollution and oil
- Access to bulb from top - enabling quick replacement of light source
- IP56
- Can be used against all types of metal by using isolation washers
- Direct connection in lantern

E6

MY R. STAHL T2898A



R. STAHL TRANBERG navigation lights are all designed for rough environments. It is the policy of R. Stahl Tranberg to provide products and services that meet the highest standards of quality in the industry and the performance needs and expectations of our customers.

Achievement of this objective requires that all products perform reliably and efficiently and in a manner that assures continuing market competitiveness. The design of Tranberg navigation lights is based on many years of experience and extensive research in the field of professional Marine lighting.

Carefully selected materials are used to ensure maximum performance, low maintenance and a long trouble free life. Proven through years of use in rough environments, navigation lights from R. Stahl Tranberg are the obvious choice by many vessel designers, ship owners and yards throughout the world.

Application:

Navigation light for ships 7-20m in length.

Signal light required by various national waters and canal authorities.

Selection Table					
Power	25 W				
AC rated operational voltage	12 – 24 V				
Lamp type	Opening angle	Colour of glass	Product Type	Art. No.	Weight
Additional	360 °	White	TEF2898504	165999	840 g
		Red	TEF2898704	166002	840 g
		Yellow	TEF2898804	166003	840 g
Allround light	360 °	White	TEF2898500	165998	840 g
		Green	TEF2898600	166000	840 g
		Red	TEF2898700	166001	840 g
Masthead	225 °	White	TEF2898000	165993	740 g
Port	112.5 °	Red	TEF2898200	165995	740 g
Starboard	112.5 °	Green	TEF2898100	165994	740 g
Stern	135 °	White	TEF2898300	165996	750 g
Stern cleats	135 °	Yellow	TEF2898400	165997	740 g

Technical Data	
Electrical Data	
AC rated operational voltage	12 ... 24 V
Ambient Conditions	
Note	Lantern lamps for vessels 7 – 12m: 10W, 12V/24V - (for AR/AG : 25W, 12V/24V) - for vessels 12 – 20m: 25W, 12V/24V Not cd-marked lantern lamp.
Lighting Data	
Lamp	Bay15d

Technical Data

Mechanical Data

Enclosure material	Aluminium, powder-coated, Seawater-resistant
Material dome	Glass
Degree of protection (IP) (IEC 60529)	IP56

Components

Cable glands and entries	1 x M16 Ø 4.5 ... 10 mm
--------------------------	-------------------------

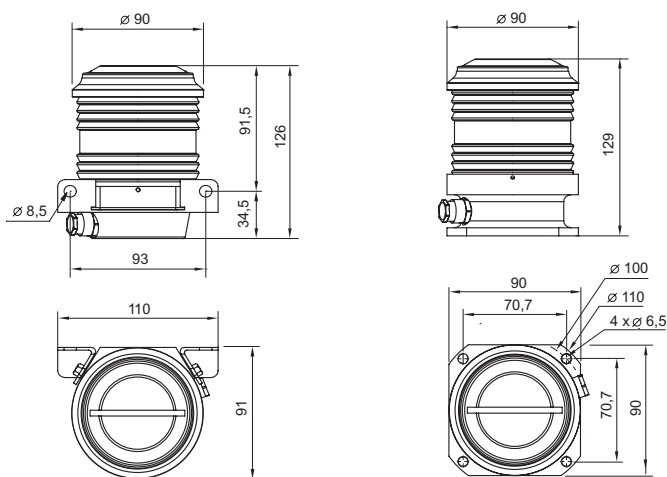
Accessories

Figure	Description	Art. No.	Weight
Mounting bracket			
	TEF3264 Mounting bracket for navigation lantern	333032	-

Spare Parts

Figure	Description	Art. No.	Weight
Glass lens			
	TEF50482011 Glass lens red for Navigation Light Series TEF 2898	166007	300 g
	TEF50480019 Glass lens clear for Navigation Light Series TEF 2898	166005	300 g
	TEF50481011 Glass lens green for Navigation Light Series TEF 2898	166006	300 g
	TEF50483009 Glass lens yellow for Navigation Light Series TEF 2898	166008	300 g
Lamp holder			
	TEF 3298 Lamp holder with fixing bracket, BAY 15d	166004	14 g
Lightbulb			
	TEF9400050 Lightbulb 24V 25W BAY15D	165881	20 g
	TEF9400053 Lightbulb 12V 10W BAY15D	165883	20 g
	TEF9400054 Lightbulb 12V 25W BAY15D	165884	20 g

Dimensional Drawings (All Dimensions in mm [inches]) – Subject to Alterations



Navigation

All Round