

Ex p Control Panels

Ex p complete system For Ex p cabinets up to 1200 l

DC 24 V, automatic control For Zone 2 and 22

7621/11-1020-1010 Art. No. 276331



- All-round Ex p system for Ex p cabinets from 10 litres to 4000 litres
- Zones 1, 2, 21 & 22
- Mounting on the roof or lateral enclosure wall
- Ex p controller in DC 24 V or AC 90-253 V
- Compact structure, simple mounting
- Language-independent and display-supported adjustment of Ex p parameters

WebCode 8621A

The Ex p system 8621 is optimally suitable for safe control and monitoring of Ex p control cabinets in a range of sizes. The highly accurate pressure sensors, which are redundantly present for the Ex Zone 1 version, enable operation near the pressure switch-off threshold. This reduces the required leak amounts to a minimum and guarantees very cost-effective continuous operation. The concept with a modular system component structure enables purge times and purge pressures to be adapted to meet current requirements. To do so, only the number of purge gas outlets (Ex p pressure monitors) needs to be changed in order to drastically reduce the purge time or purge pressure, if the same Ex p controller is used.

To guarantee withstanding adverse environmental conditions, our tried-and-tested glass fibre reinforced polyester has been selected as the enclosure material. Additionally, optional suitable protective collars are available as protection against heavy rainfall.

A device as simple as it is effective (Ex p vortex air cooler) is available for cooling Ex p cabinets. In this respect, too, the cooling power is regulated solely by the number of structurally identical devices that are installed.

Technical Data

Explosion Protection

| | |
|---------------------------------|--|
| Application range (zones) | 2 22 |
| IECEX gas certificate | IECEX TUR 19.0033 X |
| IECEX gas explosion protection | Ex ec mc ia [pzc Gc] [ia Ga] IIC T4 Gc |
| IECEX dust certificate | IECEX TUR 19.0033 X |
| IECEX dust explosion protection | Ex tc [pzc Dc] [ia Da] IIIC T80 °C Dc |
| ATEX gas certificate | TUV 19 ATEX 8339 X |
| ATEX gas explosion protection | Ex II 3 (1) G Ex ec mc ia [pzc Gc] [ia Ga] IIC T4 Gc |
| ATEX dust certificate | TUV 19 ATEX 8339 X |
| ATEX dust explosion protection | Ex II 3 (1) D Ex tc [pzc Dc] [ia Da] IIIC T80 °C Dc |
| Certificates | ATEX (TUR), IECEX (TUR), India (PESO), Korea (KTL) |
| Further information | See operating instructions of Ex p system |

Auxiliary Power

| | |
|---|---|
| Auxiliary power rated operating voltage | DC 24 V (+20% to -15%) |
| Auxiliary power connection | Screw connector |
| Note | Rated current is independent of the Ex p purge valve used |

Device Specific Data

| | |
|------------------------|-----------------------------|
| Pressure range | 0 – 25 mbar |
| Max. power dissipation | 1.5 W plus Ex p purge valve |

Ex p Control Panels

Ex p complete system For Ex p cabinets up to 1200 l

DC 24 V, automatic control For Zone 2 and 22

7621/11-1020-1010 Art. No. 276331



Device Specific Data

| | |
|--|-----------------------------------|
| Ex p system | consisting of |
| Ex p controller | 1 x type 7622/11-1020-1000 |
| Ex p controller enable cont. | 1 potential-free contact |
| Ex p pressure monitor | 1 x type 8622/31-1001-0000 |
| Ex p pressure monitor opening pressure | 3.5 mbar |
| Ex p purging valve | 1 x type 8622/21-1020-0000, Brass |
| Purging air nozzle | 3 mm |
| Ex p pressure reducer | 1 x size 2, Die-cast zinc |
| Connection thread | 1/4 " |
| Back-up fuse | 1 x type 8622/63-0004 |
| Nominal value | 500 mA |
| Ex p hose set | 1 x type 8622/65-0000 |
| Ex p hose set hose length | 3 m |
| Purge time range | 0 – 99 min |
| MIN setting | 1 mbar |
| MAX setting | 15 mbar |
| DIFF setting | 2 mbar |
| Purge time range pressure regulation | Automatic control |

Ambient Conditions

| | |
|---------------------|--------------------|
| Ambient temperature | -30 °C ... +60 °C |
| Ambient temperature | -22 °F ... +140 °F |
| Storage temperature | -30 °C ... +60 °C |
| Storage temperature | -22 °F ... +140 °F |

Mechanical Data

| | |
|-------------------------------------|-----------------------------------|
| IP degree of protection (IEC 60529) | IP65 IP66 optional |
| Enclosure material | Polyester, glass fibre reinforced |
| Sealing material | Silicone, foamed |
| Material cable gland | Polyamide, black |
| Weight | 3.4 kg |
| Weight | 7.5 lb |

Mounting / Installation

| | |
|----------------------|---|
| Mounting orientation | Horizontal Vertical |
| Note | Suitable for attachment to Ex pzc, Ex ec and Ex tc cabinets |

Components

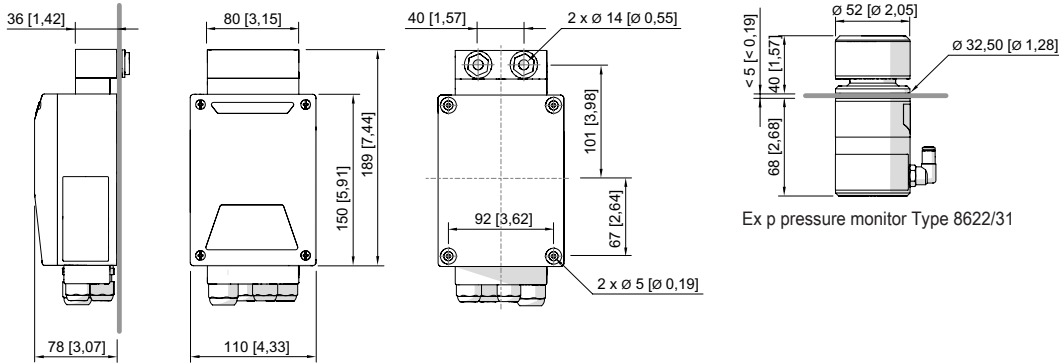
| | |
|-------------|--------------------------------|
| Cable gland | 1 x M20 x 1.5 3 x M16 x 1.5 |
|-------------|--------------------------------|

Ex p Control Panels



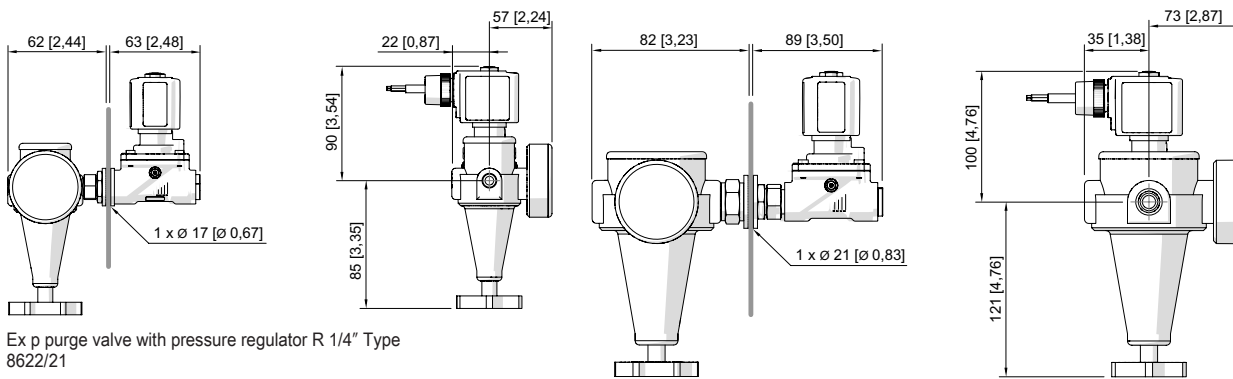
Ex p complete system For Ex p cabinets up to 1200 l
 DC 24 V, automatic control For Zone 2 and 22
 7621/11-1020-1010 Art. No. 276331

Dimensional Drawings (All Dimensions in mm [inches]) – Subject to Alterations



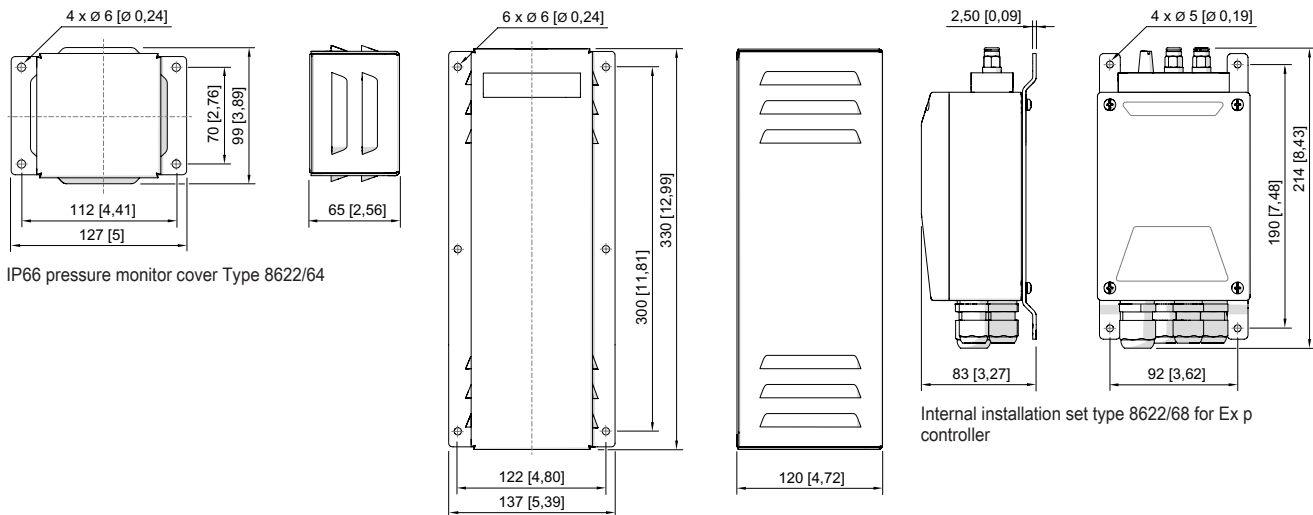
Ex p controller Type 8622/11

Ex p pressure monitor Type 8622/31



Ex p purge valve with pressure regulator R 1/4" Type 8622/21

Ex p purge valve with pressure regulator R 1/2" Type 8622/21



IP66 pressure monitor cover Type 8622/64

IP66 vortex air cooler cover Type 8622/64

Internal installation set type 8622/68 for Ex p controller

We reserve the right to make alterations to the technical data, dimensions, weights, designs and products available without notice. The illustrations cannot be considered binding.