

Ex p Control Panels

Ex p complete system For Ex p cabinets over 1200 l

AC 230, automatic control For Zone 2 and 22

7621/11-1000-0110 Art. No. 276269



- All-round Ex p system for Ex p cabinets from 10 litres to 4000 litres
- Zones 1, 2, 21 & 22
- Mounting on the roof or lateral enclosure wall
- Ex p controller in DC 24 V or AC 90-253 V
- Compact structure, simple mounting
- Language-independent and display-supported adjustment of Ex p parameters

WebCode 8621A

The Ex p system 8621 is optimally suitable for safe control and monitoring of Ex p control cabinets in a range of sizes. The highly accurate pressure sensors, which are redundantly present for the Ex Zone 1 version, enable operation near the pressure switch-off threshold. This reduces the required leak amounts to a minimum and guarantees very cost-effective continuous operation. The concept with a modular system component structure enables purge times and purge pressures to be adapted to meet current requirements. To do so, only the number of purge gas outlets (Ex p pressure monitors) needs to be changed in order to drastically reduce the purge time or purge pressure, if the same Ex p controller is used.

To guarantee withstanding adverse environmental conditions, our tried-and-tested glass fibre reinforced polyester has been selected as the enclosure material. Additionally, optional suitable protective collars are available as protection against heavy rainfall.

A device as simple as it is effective (Ex p vortex air cooler) is available for cooling Ex p cabinets. In this respect, too, the cooling power is regulated solely by the number of structurally identical devices that are installed.

Technical Data

Explosion Protection

Application range (zones)	2 22
IECEX gas certificate	IECEX TUR 19.0033 X
IECEX gas explosion protection	Ex ec mc ia [pzc Gc] [ia Ga] IIC T4 Gc
IECEX dust certificate	IECEX TUR 19.0033 X
IECEX dust explosion protection	Ex tc [pzc Dc] [ia Da] IIIC T80 °C Dc
ATEX gas certificate	TUV 19 ATEX 8339 X
ATEX gas explosion protection	Ex II 3 (1) G Ex ec mc ia [pzc Gc] [ia Ga] IIC T4 Gc
ATEX dust certificate	TUV 19 ATEX 8339 X
ATEX dust explosion protection	Ex II 3 (1) D Ex tc [pzc Dc] [ia Da] IIIC T80 °C Dc
Certificates	ATEX (TUR), IECEX (TUR), India (PESO), Korea (KTL)
Further information	See operating instructions of Ex p system

Auxiliary Power

Auxiliary power rated operating voltage	AC 230 V (±10%)/50 to 60 Hz
Auxiliary power connection	Screw connector
Note	Rated current is independent of the Ex p purge valve used

Device Specific Data

Pressure range	0 – 25 mbar
Max. power dissipation	1.5 W plus Ex p purge valve

Ex p Control Panels



Ex p complete system For Ex p cabinets over 1200 l

AC 230, automatic control For Zone 2 and 22

7621/11-1000-0110 Art. No. 276269

Device Specific Data

Ex p system	consisting of
Ex p controller	1 x type 7622/11-1000-0000
Ex p controller enable cont.	2-pole line voltage
Ex p pressure monitor	2 x type 8622/31-1001-0000
Ex p pressure monitor opening pressure	3.5 mbar
Ex p purging valve	1 x type 8622/21-1001-0000, Brass
Purging air nozzle	4.8 mm
Ex p pressure reducer	1 x size 4, Die-cast zinc
Connection thread	1/2 "
Back-up fuse	1 x type 8622/63-0002
Nominal value	160 mA
Ex p hose set	1 x type 8622/65-0000
Ex p hose set hose length	3 m
Purge time range	0 – 99 min
MIN setting	1 mbar
MAX setting	15 mbar
DIFF setting	2 mbar
Purge time range pressure regulation	Automatic control

Ambient Conditions

Ambient temperature	-30 °C ... +60 °C
Ambient temperature	-22 °F ... +140 °F
Storage temperature	-30 °C ... +60 °C
Storage temperature	-22 °F ... +140 °F

Mechanical Data

IP degree of protection (IEC 60529)	IP65 IP66 optional
Enclosure material	Polyester, glass fibre reinforced
Sealing material	Silicone, foamed
Material cable gland	Polyamide, black
Weight	4.6 kg
Weight	10.14 lb

Mounting / Installation

Mounting orientation	Horizontal Vertical
Note	Suitable for attachment to Ex pzc, Ex ec and Ex tc cabinets

Components

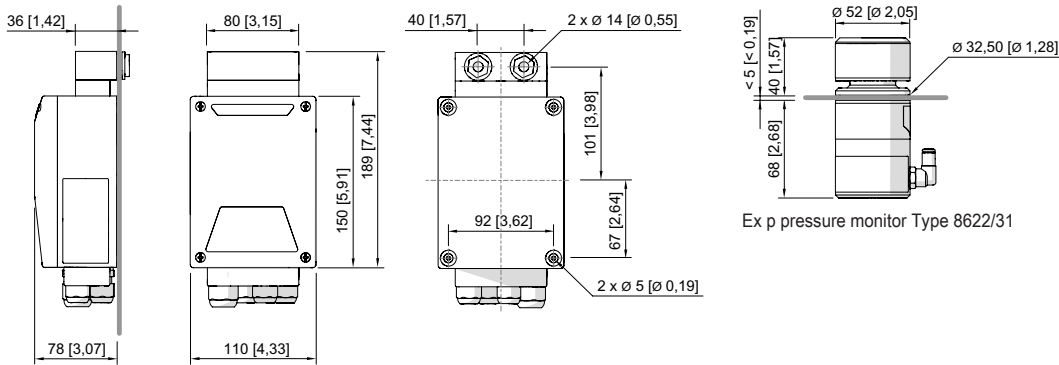
Cable gland	1 x M20 x 1.5 3 x M16 x 1.5
-------------	--------------------------------

Ex p Control Panels



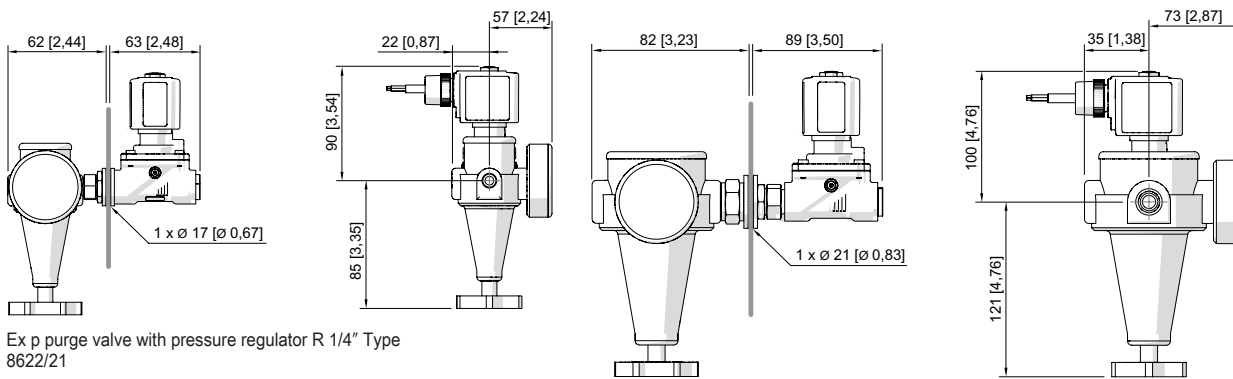
Ex p complete system For Ex p cabinets over 1200 l
 AC 230, automatic control For Zone 2 and 22
 7621/11-1000-0110 Art. No. 276269

Dimensional Drawings (All Dimensions in mm [inches]) – Subject to Alterations



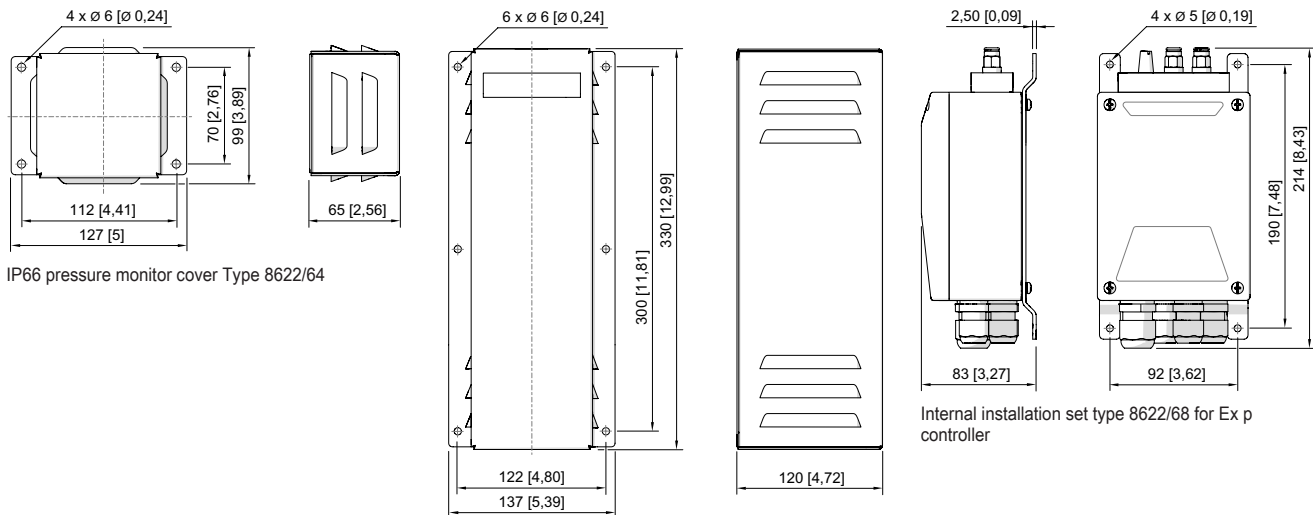
Ex p controller Type 8622/11

Ex p pressure monitor Type 8622/31



Ex p purge valve with pressure regulator R 1/4" Type 8622/21

Ex p purge valve with pressure regulator R 1/2" Type 8622/21



IP66 pressure monitor cover Type 8622/64

IP66 vortex air cooler cover Type 8622/64

Internal installation set type 8622/68 for Ex p controller

We reserve the right to make alterations to the technical data, dimensions, weights, designs and products available without notice. The illustrations cannot be considered binding.