

## Ex p solutions



Ex p complete system For Ex p cabinets up to 1200 l

AC 230 V, digital control For Zone 2 and 22

7621/11-1000-0000 Art. No. 276266



- All-round Ex p system for Ex p cabinets from 10 to 4000 litres
- Zones 2 and 22
- Mounted on the roof or lateral enclosure wall
- Ex p controller in DC 24 V or AC 90–253 V
- Compact construction design, simple mounting
- Ex p parameters are adjusted using the display, regardless of language

### MY R. STAHL 8621A

The Ex p system 8621 is ideal for safe control and monitoring of Ex p control cabinets in a range of sizes. The highly accurate pressure sensors, which are redundantly present for the Ex Zone 1 version, enable operation near the pressure switch-off threshold. This reduces the required leakage quantities to a minimum and guarantees very cost-effective continuous operation.

The concept with a modular system component structure enables purge times and purge pressures to be adapted to meet current requirements. To do so, only the number of purge gas outlets (Ex p pressure monitors) needs to be changed in order to drastically reduce the purge time or purge pressure, if the same Ex p controller is used.

To guarantee that adverse environmental conditions can be withstood, our tried-and-tested glass fibre reinforced polyester has been selected as the enclosure material. Additionally, optional suitable protective collars are available as protection against heavy rainfall.

A device as simple as it is effective (Ex p vortex air cooler) is available for cooling Ex p cabinets.

In this respect, too, the cooling power is regulated solely by the number of structurally identical devices that are installed.

## Technical Data

Explosion Protection	
Application range (zones)	2 22
IECEX gas certificate	IECEX TUR 19.0033 X
IECEX gas explosion protection	Ex ec mc ia [pzc Gc] [ia Ga] IIC T4 Gc
IECEX dust certificate	IECEX TUR 19.0033 X
IECEX dust explosion protection	Ex tc [pzc Dc] [ia Da] IIIC T80 °C Dc
ATEX gas certificate	TUV 19 ATEX 8339 X
ATEX gas explosion protection	Ex II 3 (1) G Ex ec mc ia [pzc Gc] [ia Ga] IIC T4 Gc
ATEX dust certificate	TUV 19 ATEX 8339 X
ATEX dust explosion protection	Ex II 3 (1) D Ex tc [pzc Dc] [ia Da] IIIC T80 °C Dc
Certificates	ATEX (TUR), China (CQST), IECEX (TUR), India (PESO), Korea (KTL)
Declaration of Conformity	ATEX (EUK), China (CCC)
Further information	See the operating instructions for the Ex p system
Auxiliary Power	
Auxiliary power rated operating voltage	AC 230 V (±10%)/50 to 60 Hz
Auxiliary power connection	Screw connector
Note	Rated current depends on the Ex p purge valve used

## Ex p solutions



Ex p complete system For Ex p cabinets up to 1200 l

AC 230 V, digital control For Zone 2 and 22

7621/11-1000-0000 Art. No. 276266

### Device Specific Data

Pressure range	0 – 25 mbar
Max. power dissipation	1.5 W plus Ex p purge valve
Ex p system	consisting of
Ex p controller	1 x type 7622/11-1000-0000
Ex p controller enable cont.	2-pole line voltage
Ex p pressure monitor	1 x type 8622/31-1001-0000
Ex p pressure monitor opening pressure	3.5 mbar
Ex p purging valve	1 x type 8622/21-0000-0000, Brass
Purging air nozzle	3 mm
Ex p pressure reducer	1 x size 2, Die-cast zinc
Connection thread	1/4 "
Back-up fuse	1 x type 8622/63-0001
Nominal value	80 mA
Ex p hose set	1 x type 8622/65-0000
Ex p hose set hose length	3 m
Purge time range	0 – 99 min
MIN setting	1 mbar
MAX setting	15 mbar
DIFF setting	2 mbar
Purge time range pressure regulation	Digital control

### Ambient Conditions

Ambient temperature	-30 °C ... +60 °C
Ambient temperature	-22 °F ... +140 °F
Storage temperature	-30 °C ... +60 °C
Storage temperature	-22 °F ... +140 °F

### Mechanical Data

Degree of protection (IP) (IEC 60529)	IP65 IP66 optional
Enclosure material	Polyester, glass fibre reinforced
Sealing material	Silicone, foamed
Material cable gland	Polyamide, black
Weight	3.5 kg
Weight	7.72 lb

### Mounting / Installation

Mounting orientation	Horizontal Vertical
Note	Suitable for attachment to Ex pzc, Ex ec and Ex tc cabinets

### Components

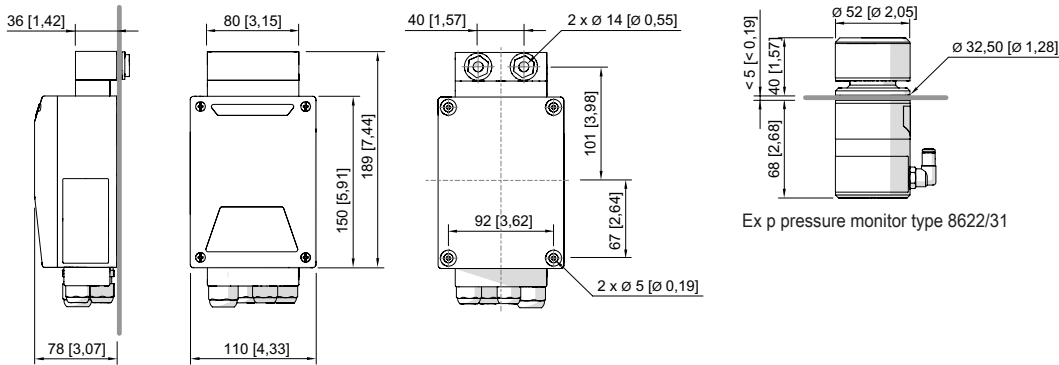
Cable gland	1 x M20 x 1.5 3 x M16 x 1.5
-------------	--------------------------------

# Ex p solutions



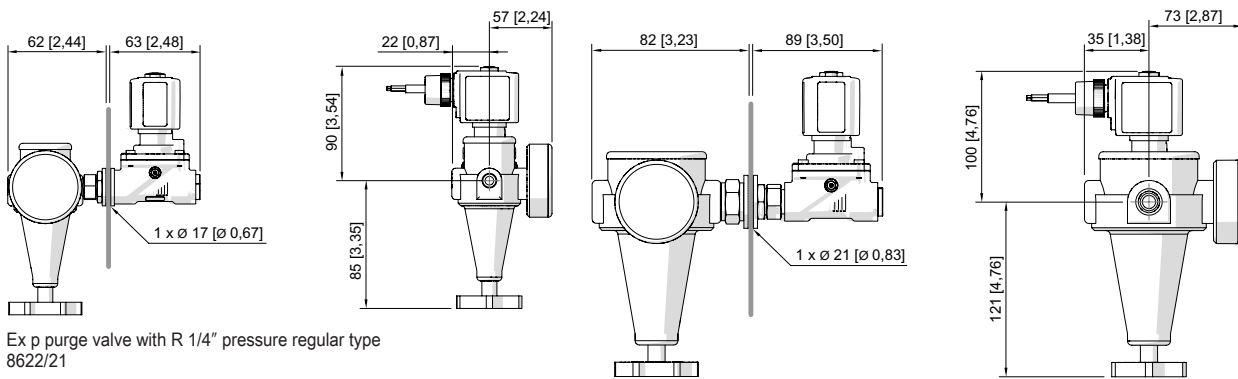
Ex p complete system For Ex p cabinets up to 1200 l  
 AC 230 V, digital control For Zone 2 and 22  
 7621/11-1000-0000 Art. No. 276266

## Dimensional Drawings (All Dimensions in mm [inches]) – Subject to Alterations



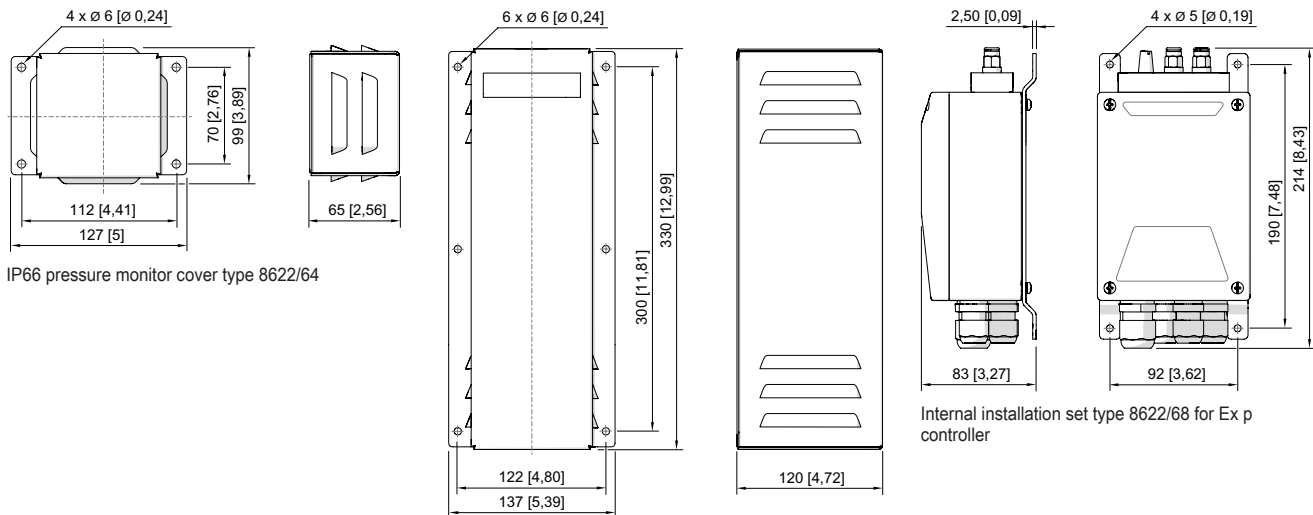
Ex p controller type 8622/11

Ex p pressure monitor type 8622/31



Ex p purge valve with R 1/4" pressure regular type 8622/21

Ex p purge valve with R 1/2" pressure regular type 8622/21



IP66 pressure monitor cover type 8622/64

IP66 vortex air cooler cover type 8622/64

Internal installation set type 8622/68 for Ex p controller

We reserve the right to make alterations to the technical data, dimensions, weights, designs and products available without notice. The illustrations cannot be considered binding.