

Control Devices

LED indicator lamp For mounting rail mounting

Simple apparatus

8010/6-11-3 Art. No. 278796



- Efficient, beneficial LED technology: High luminance, low heat build-up, extremely high service life, maintenance-free
- Easily visible light signals thanks to diffuser lenses in red, yellow, green, blue and white
- Usable at temperatures as low as -60 °C

MY R. STAHL 8010E

The series 8010 indicator lamps from R. STAHL use a white LED with a diffuser lens, the light from which can be also be coloured red, yellow, green and blue using calottes. This means that important signals from a switchgear are easily visible, even in poor lighting conditions. The indicator lamps are robust and can be used at temperatures as low as -60 °C.

Technical Data

Safety Data

Max. capacitance C_i	Negligible
Max. inductance L_i	Negligible
Max. voltage U_i	60 V
Max. current I_i	200 mA
Max. power P_i	1.3 W

Electrical Data

Rated operational voltage DC	12 V
Frequency	0 to 60 Hz
Rated operational current	max. 20 mA
Max. rated operational power	1 W
Electrical service life	10 ⁵ lighting hours

Lighting Data

Lamp	White LED
------	-----------

Ambient Conditions

Ambient temperature	-60 °C ... +80 °C
Ambient temperature	-76 °F ... +176 °F
Operating temperature	-60 °C ... +100 °C
Operating temperature	-76 °F ... +212 °F

Mechanical Data

Degree of protection (IP) (IEC 60529)	IP20
Enclosure material	Polyamide
Silicone-free	Yes
Solid connection cross section	0.32 – 2.5 mm ²
Connection cross-section AWG single stranded	22 AWG to 14 AWG
Finely stranded connection cross section	0.32 – 2.5 mm ²

Control Devices

LED indicator lamp For mounting rail mounting

Simple apparatus

8010/6-11-3 Art. No. 278796



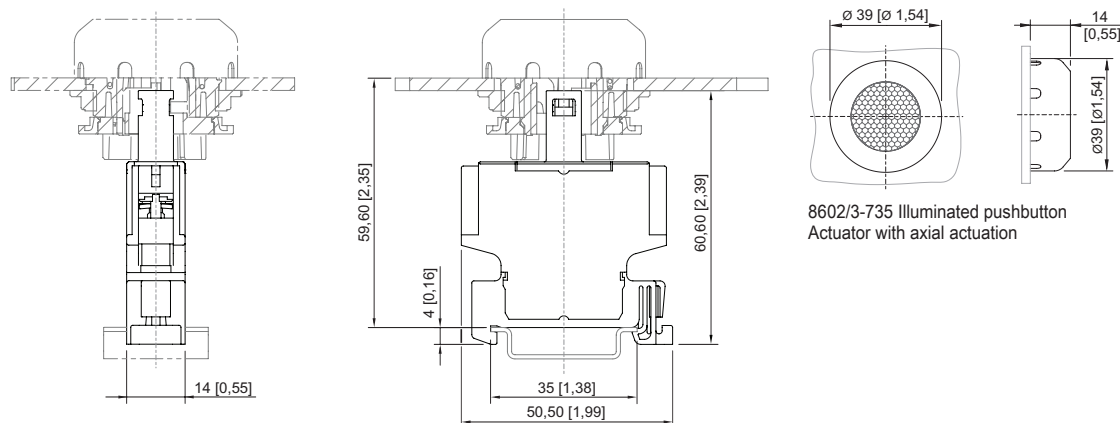
Mechanical Data

Finely stranded connection cross-section AWG	22 AWG to 14 AWG
Connection cross-section, finely stranded with core end sleeve	0.32 – 2.5 mm ²
Connection cross-section, finely stranded with core end sleeve AWG	AWG22 - AWG14
Packaging unit	1
Weight	34 g
Weight	0.075 lb

Mounting / Installation

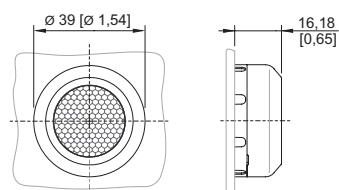
Tightening torque	1.2 Nm
Tightening torque lbf in	10.62 lbf in
Connection	Screw terminal

Dimensional Drawings (All Dimensions in mm [inches]) – Subject to Alterations

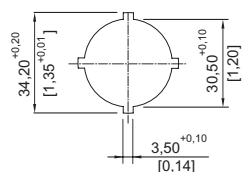


8602/3-735 Illuminated pushbutton
Actuator with axial actuation

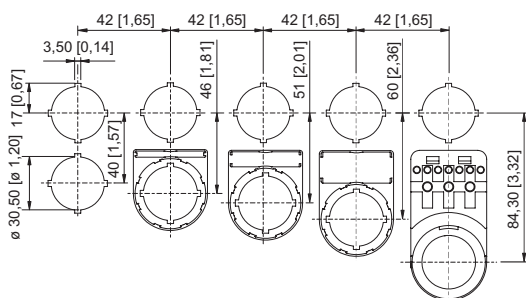
LED indicating lamp



8602/3-054 Indicator lamp bezel
Actuator without actuation



Cut-out details



Cut-out with / without front label

Accessories

Indicator lamp bezel

		Art. No.
	Diameter 39 mm All colours Silicone-free: Yes	223122
	Diameter 39 mm All colours Silicone-free: No	223123

Control Devices


LED indicator lamp For mounting rail mounting

Simple apparatus

8010/6-11-3 Art. No. 278796



Illuminated pushbutton (spring return)

		Art. No.
	Ø 39 mm Black All colours Silicone-free: Yes	244654
	Ø 39 mm Black All colours Silicone-free: No	244655

We reserve the right to make alterations to the technical data, dimensions, weights, designs and products available without notice. The illustrations cannot be considered binding.