

6125/2124-3501-6014-331 Art. No. 284568



- LED high-performance floodlight with a power consumption up to 225 W
- Wide voltage input between 110 V and 277 V (50 Hz and 60 Hz)
- Suitable for operation using central battery systems and mains DC (176 V to 264 V DC)
- Three power classes available: 100 W, 160 W and 225 W
- An enclosure made of 316L stainless steel is available for marine and offshore applications

MY R. STAHL 6125B



The new generation of LED floodlights for Zone 1 also relies on the tried-and-tested, robust stainless steel enclosure (optionally seawater-resistant stainless steel 316L). However, thanks to their smaller design and a new generation of drivers, they weigh significantly less, thereby improving ergonomics during installation and operation. Now with three power classes and the three tried-and-tested light distribution curves, the LED floodlight generates three colours of LED light – warm white, neutral white and cold white.

### Technical Data

#### Explosion Protection

|                                 |   |
|---------------------------------|---|
| Application range (zones)       | 1<br>2<br>21<br>22                                    |
| IECEX gas certificate           | IECEX EPS 15.0087                                     |
| IECEX gas explosion protection  | Ex db eb op is IIC T4 Gb                              |
| IECEX dust certificate          | IECEX EPS 15.0087                                     |
| IECEX dust explosion protection | Ex tb op is IIIC T100 °C Db                           |
| ATEX gas certificate            | EPS 15 ATEX 1 114                                     |
| ATEX gas explosion protection   | Ex II 2 G Ex db eb op is IIC T4 Gb                    |
| ATEX dust certificate           | EPS 15 ATEX 1 114                                     |
| ATEX dust explosion protection  | Ex II 2 D Ex tb op is IIIC T100 °C Db                 |
| Certificates                    | ATEX (BVIS), Brazil (ULB), IECEx (BVIS), India (PESO) |
| Declaration of Conformity       | ATEX (EUK)  |

#### Electrical Data

|                                   |             |
|-----------------------------------|-------------|
| Rated operational voltage AC      | 110 – 277 V |
| AC max. rated operational voltage | 277 V       |
| AC min. rated operational voltage | 110 V       |
| Frequency range                   | 50 – 60 Hz  |

#### Lighting Data

|                    |            |
|--------------------|------------|
| Lamp wattage       | 160 W      |
| Lamp type          | LED        |
| Lamp               | LED        |
| Light colour       | Warm white |
| Light distribution | Wide beam  |
| Luminaire efficacy | 91 lm/W    |

6125/2124-3501-6014-331 Art. No. 284568

### Lighting Data

|                    |          |
|--------------------|----------|
| Luminous flux      | 14097 lm |
| Colour rendering   | ≥ 80     |
| Colour temperature | 4000 K   |

### Ambient Conditions

|                     |                   |
|---------------------|-------------------|
| Ambient temperature | -60 °C ... +60 °C |
| Storage temperature | -40 °C ... +75 °C |

### Mechanical Data

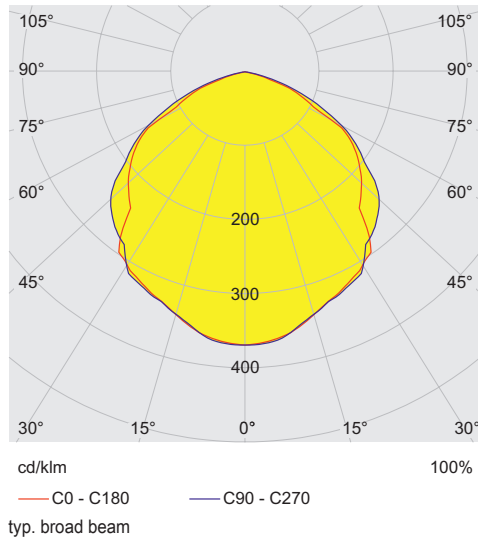
|   |   |
|---|---|
| Degree of protection (IP)                 | IP66  |
| Class                                     | I   |
| Enclosure material                        | Stainless steel 1.4301, Powder-coated<br>Single-layer powder-coated |
| Enclosure colour                          | Similar to RAL 9010   |
| Sealing material                          | Silicone  |
| Pane material                             | Reinforced glass  |
| Max. solid connection terminals           | 6 mm <sup>2</sup>   |
| Max. finely stranded connection terminals | 4 mm <sup>2</sup>   |
| Type of connection cable                  | Finely stranded<br>Solid  |
| Width                                     | 400 mm  |
| Height                                    | 84 mm   |
| Length                                    | 520 mm  |
| Impact strength (IEC 62262)               | IK10  |
| Fastening                                 | With bracket, SS304   |
| Weight                                    | 18.5 kg   |
| Weight                                    | 40.79 lb  |

### Components

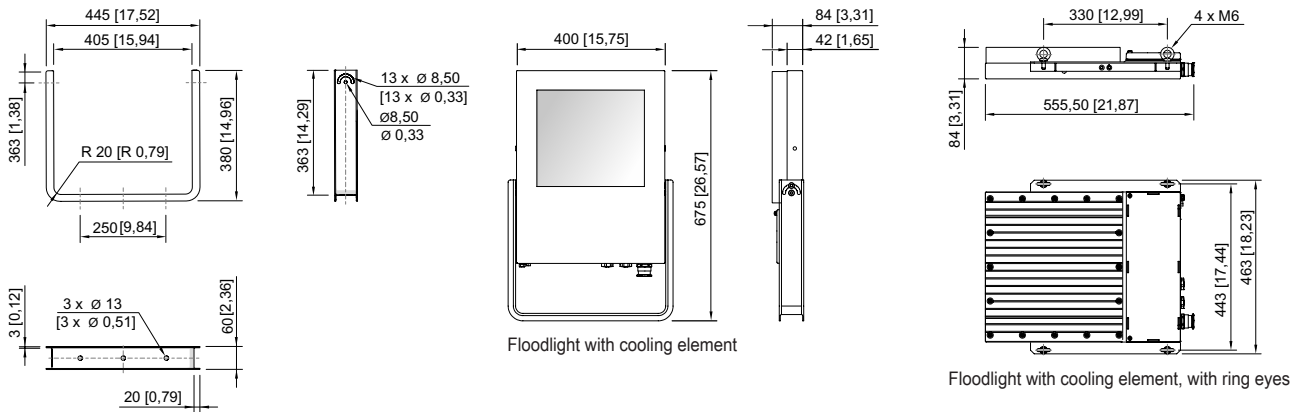
|                          |                            |
|--------------------------|----------------------------|
| Drilled holes            | 3 x M25                    |
| Cable glands and entries | 1 x M25 x 1.5<br>CMP-25A2F |
| Material cable gland     | Nickel-plated brass        |
| Stopping plugs           | 2 x M25 x 1.5              |
| Stopping plug material   | Polyamide, black           |

6125/2124-3501-6014-331 Art. No. 284568

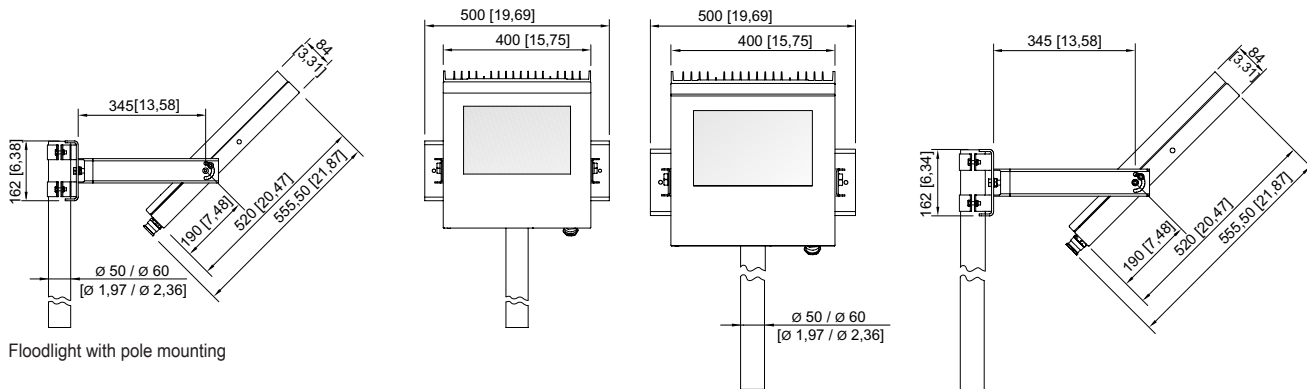
### Light Distribution Curves



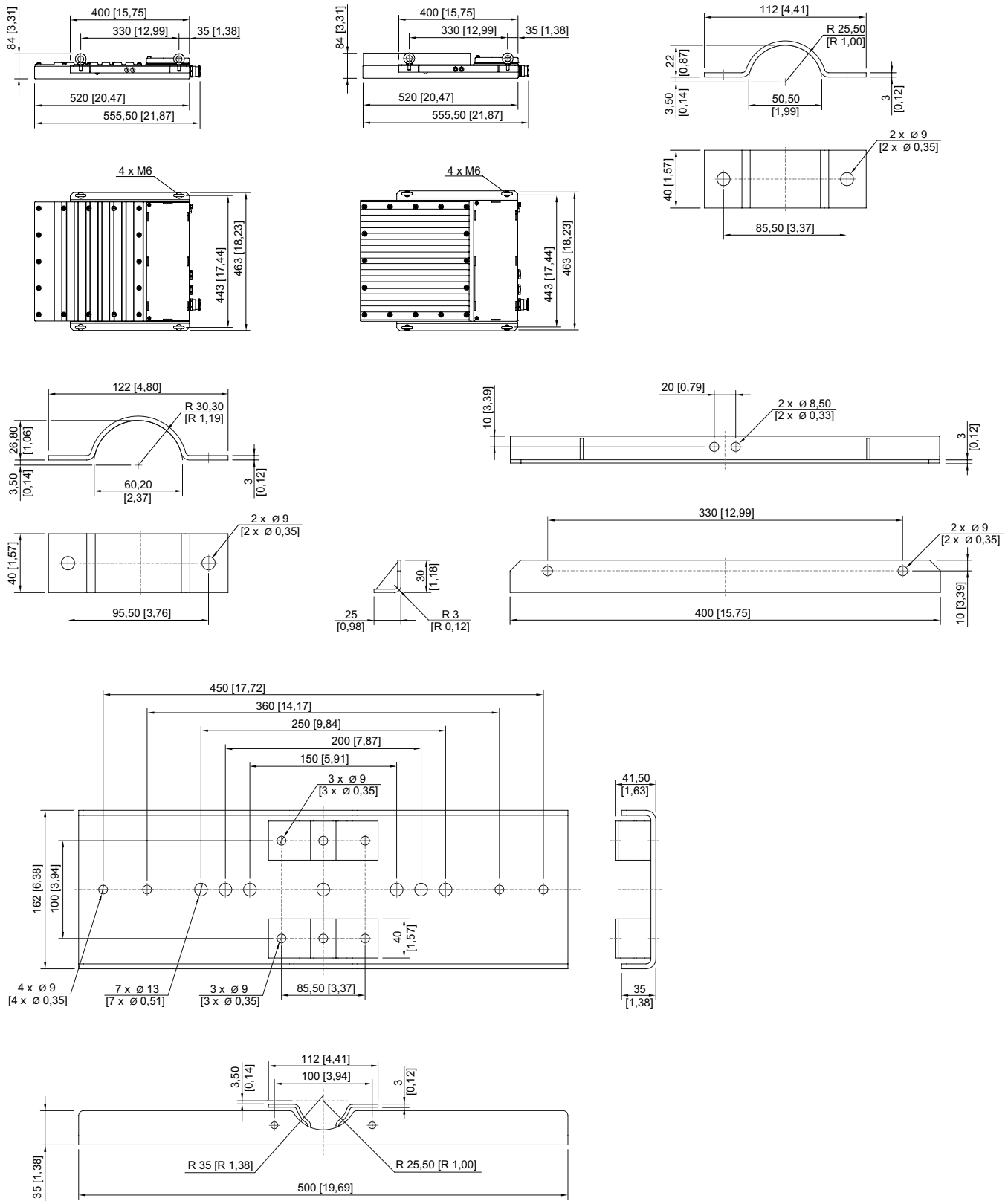
### Dimensional Drawings (All Dimensions in mm [inches]) – Subject to Alterations



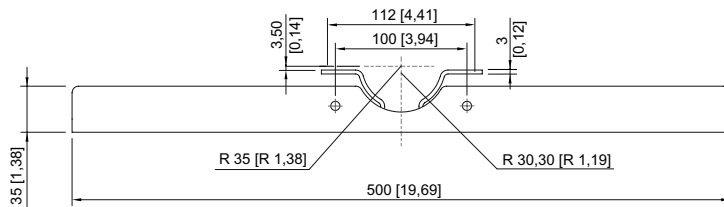
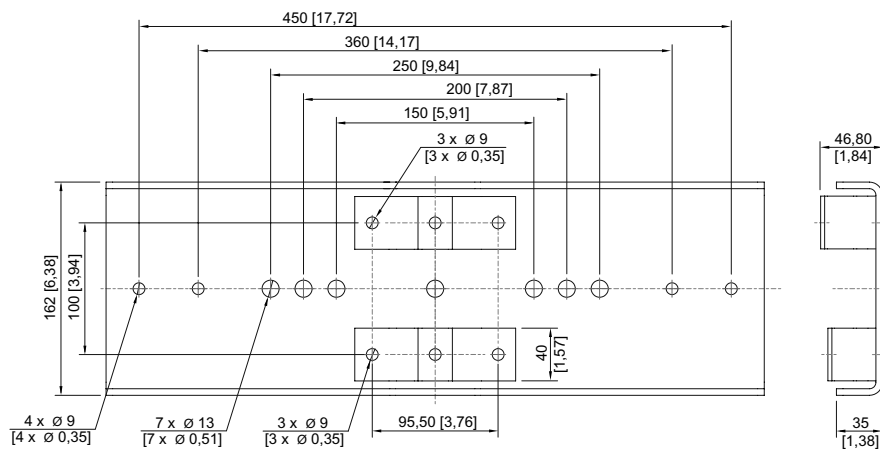
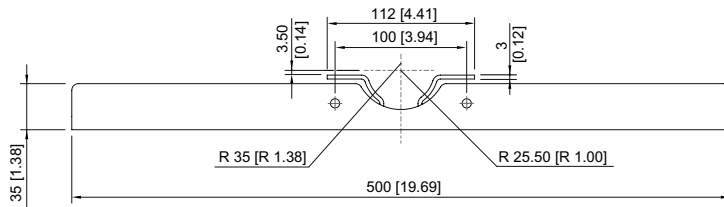
### Mounting bracket

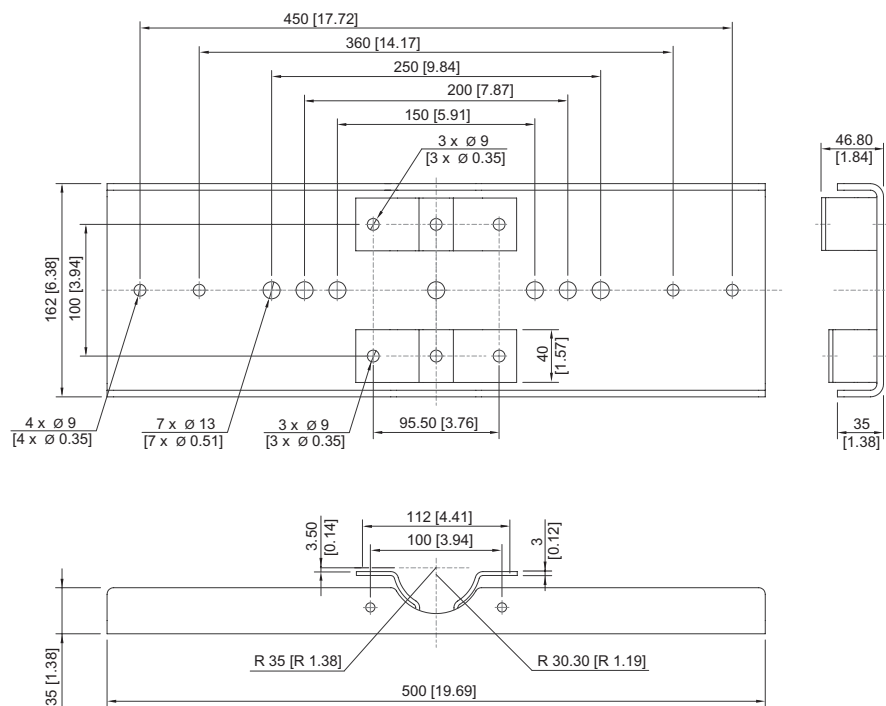


6125/2124-3501-6014-331 Art. No. 284568



6125/2124-3501-6014-331 Art. No. 284568





## Accessories

### Mounting bracket

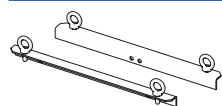


Stainless steel SS316L (1.4404 or V4A) without powder coating

Art. No.

221589

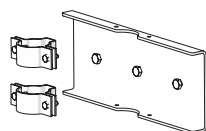
### Mounting set



for pendant mounting with ring bolts included - stainless steel SS316L (1.4404 or V4A) without powder coating

Art. No.

257464



for pole mounting with pole diameter of 50 mm - stainless steel SS316L (1.4404 or V4A) without powder coating

283361

for pole mounting with pole diameter of 60 mm - stainless steel SS316L (1.4404 or V4A) without powder coating

263824

We reserve the right to make alterations to the technical data, dimensions, weights, designs and products available without notice. The illustrations cannot be considered binding.