

6125/2124-1501-6014-242 Art. No. 284582



- LED high-performance floodlight with a power consumption up to 225 W
- Wide voltage input between 110 V and 277 V (50 Hz and 60 Hz)
- Suitable for operation using central battery systems and mains DC (176 V to 264 V DC)
- Three power classes available: 100 W, 160 W and 225 W
- An enclosure made of 316L stainless steel is available for marine and offshore applications

### MY R. STAHL 6125B



The new generation of LED floodlights for Zone 1 also relies on the tried-and-tested, robust stainless steel enclosure (optionally seawater-resistant stainless steel 316L). However, thanks to their smaller design and a new generation of drivers, they weigh significantly less, thereby improving ergonomics during installation and operation. Now with three power classes and the three tried-and-tested light distribution curves, the LED floodlight generates three colours of LED light – warm white, neutral white and cold white.

## Technical Data

### Explosion Protection

Application range (zones)	1 2 21 22
IECEX gas certificate	IECEX EPS 15.0087
IECEX gas explosion protection	Ex db eb op is IIC T4 Gb
IECEX dust certificate	IECEX EPS 15.0087
IECEX dust explosion protection	Ex tb op is IIIC T100 °C Db
ATEX gas certificate	EPS 15 ATEX 1 114
ATEX gas explosion protection	Ex II 2 G Ex db eb op is IIC T4 Gb
ATEX dust certificate	EPS 15 ATEX 1 114
ATEX dust explosion protection	Ex II 2 D Ex tb op is IIIC T100 °C Db
Certificates	ATEX (BVIS), Brazil (ULB), IECEx (BVIS), India (PESO)
Declaration of Conformity	ATEX (EUK)

### Electrical Data

Rated operational voltage AC	110 – 277 V
AC max. rated operational voltage	277 V
AC min. rated operational voltage	110 V
Frequency range	50 – 60 Hz

### Lighting Data

Lamp wattage	100 W
Lamp type	LED
Lamp	LED
Light colour	Warm white
Light distribution	Wide beam
Luminaire efficacy	99 lm/W

6125/2124-1501-6014-242 Art. No. 284582

### Lighting Data

Luminous flux	9860 lm
Colour rendering	≥ 80
Colour temperature	4000 K

### Ambient Conditions

Ambient temperature	-50 °C ... +60 °C
Storage temperature	-40 °C ... +75 °C

### Mechanical Data

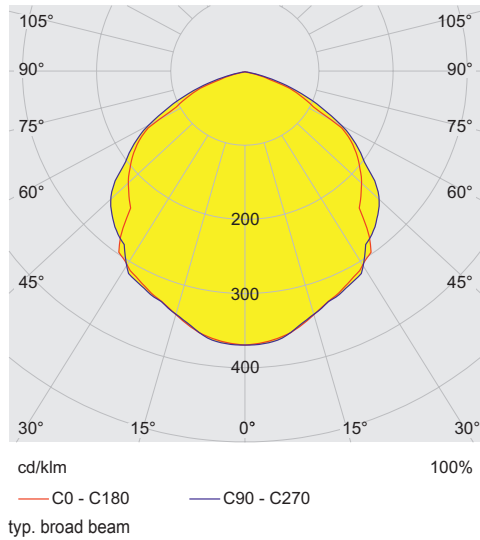
Degree of protection (IP)	IP66
Class	I
Enclosure material	Stainless steel 1.4404, Powder-coated Double powder-coated
Enclosure colour	Similar to RAL 9010
Sealing material	Silicone
Pane material	Reinforced glass
Max. solid connection terminals	6 mm <sup>2</sup>
Max. finely stranded connection terminals	4 mm <sup>2</sup>
Type of connection cable	Finely stranded Solid
Width	400 mm
Height	70 mm
Length	520 mm
Impact strength (IEC 62262)	IK10
Fastening	With bracket, SS316L
Weight	16.5 kg
Weight	36.38 lb

### Components

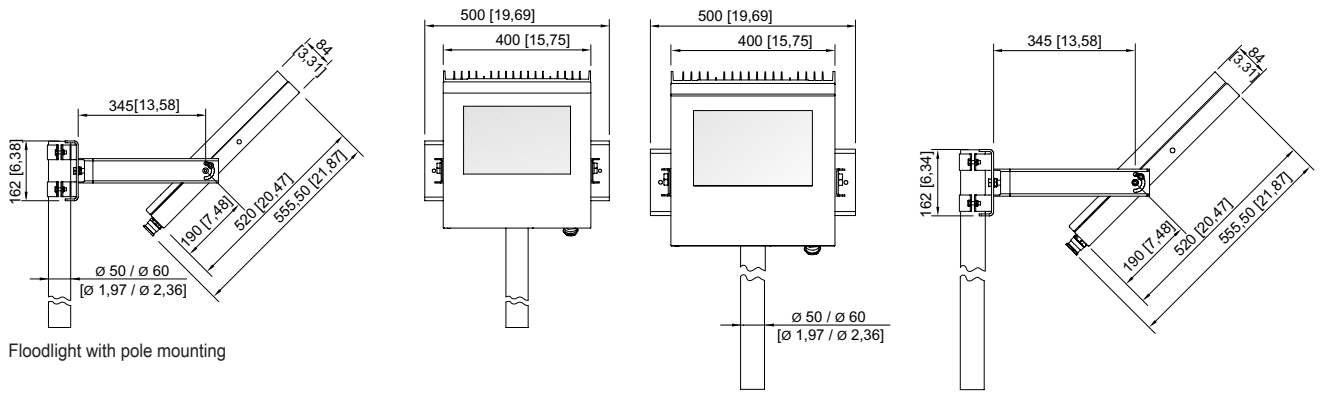
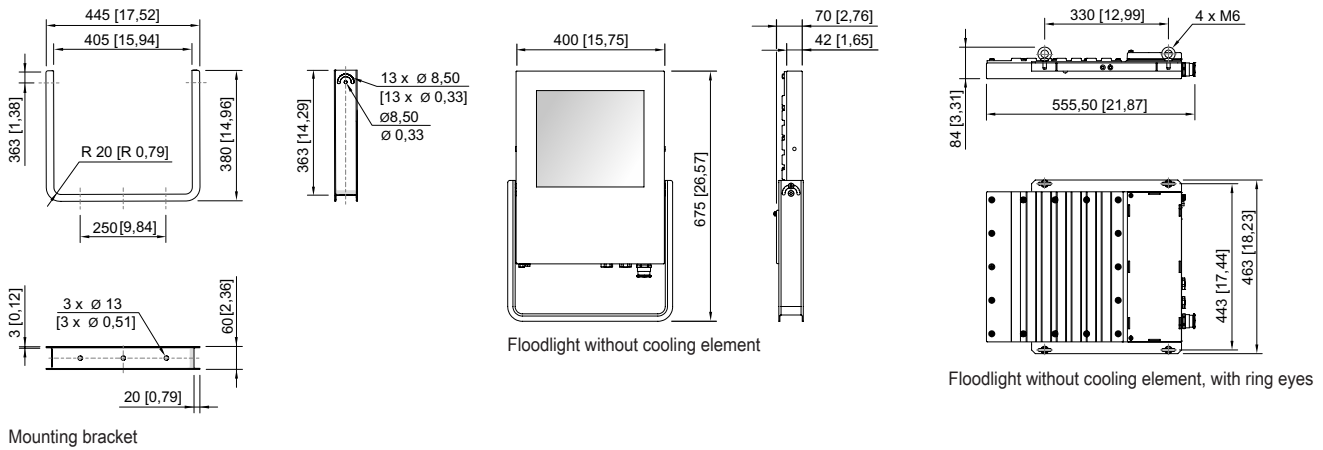
Drilled holes	3 x M25
Cable glands and entries	1 x M25 x 1.5 CMP-25A2F
Material cable gland	Nickel-plated brass
Stopping plugs	2 x M25 x 1.5
Stopping plug material	Polyamide, black

6125/2124-1501-6014-242 Art. No. 284582

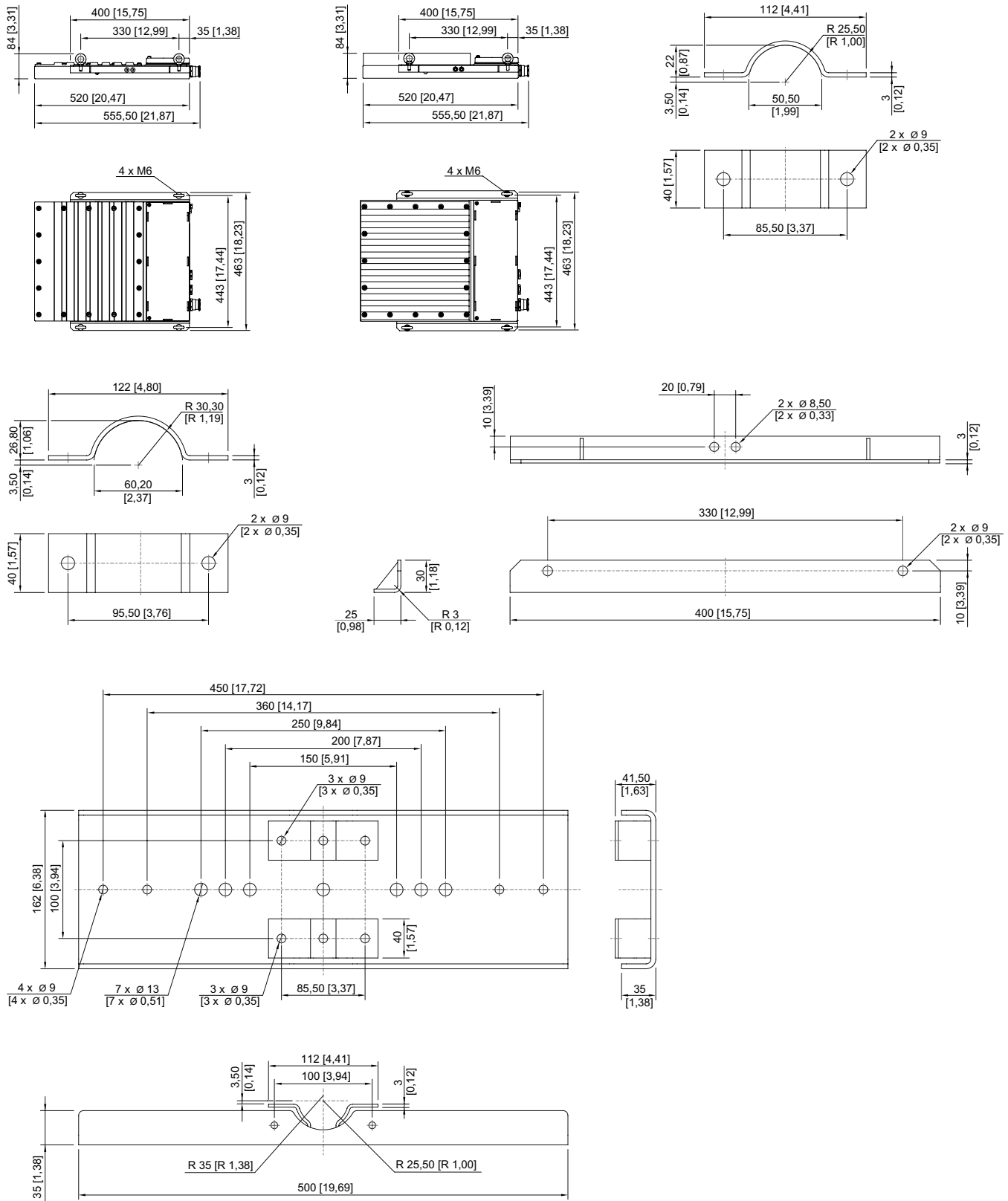
### Light Distribution Curves



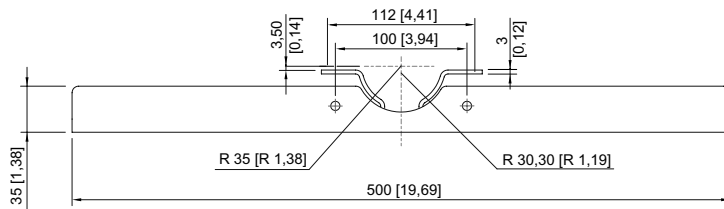
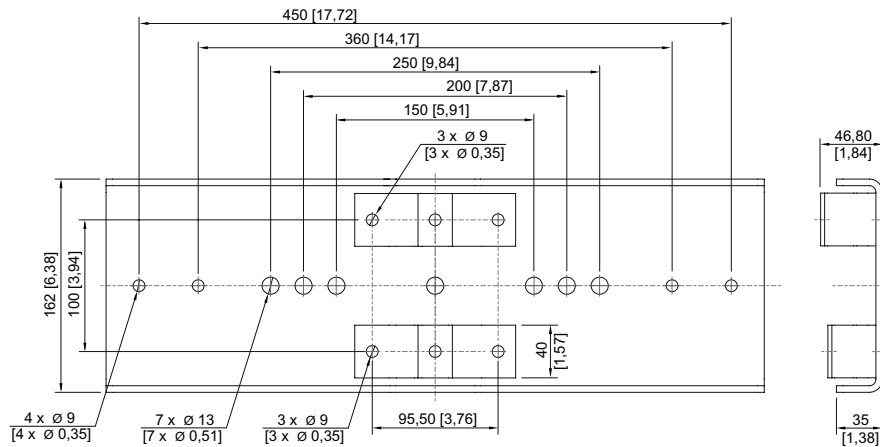
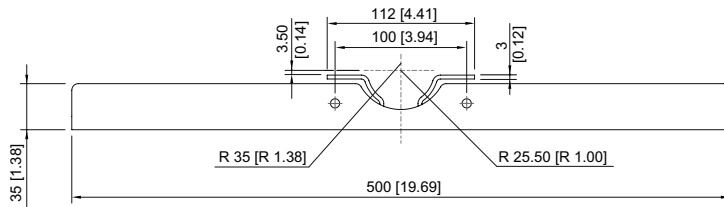
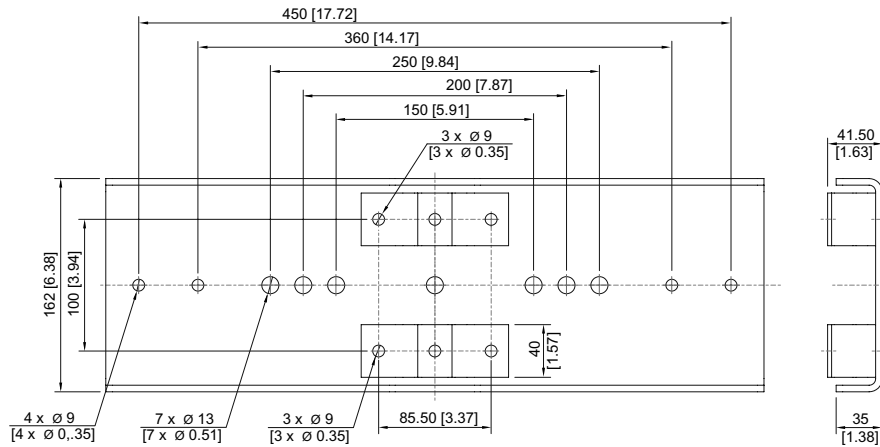
### Dimensional Drawings (All Dimensions in mm [inches]) – Subject to Alterations



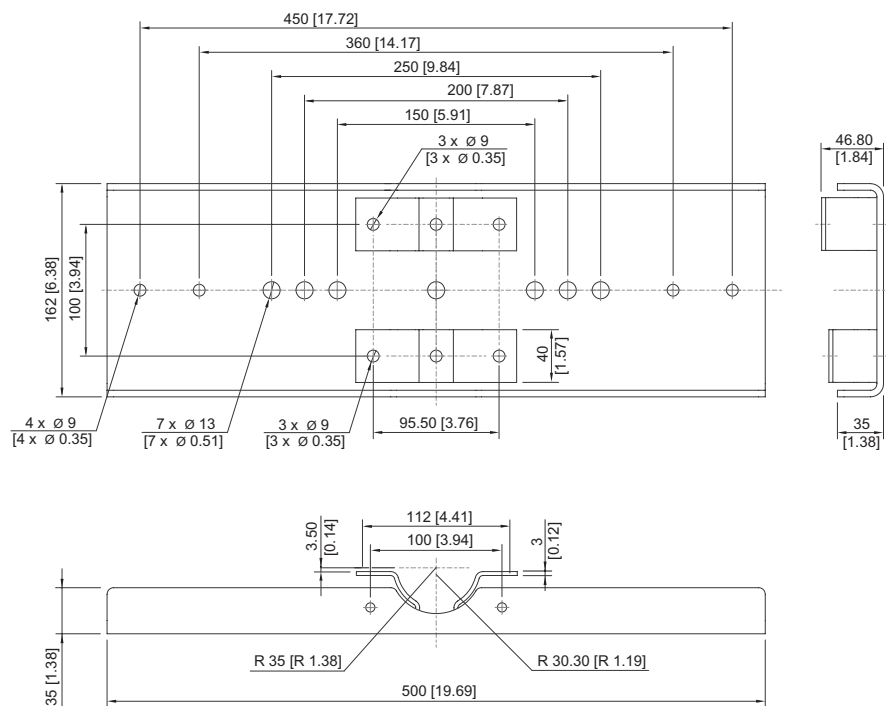
6125/2124-1501-6014-242 Art. No. 284582



6125/2124-1501-6014-242 Art. No. 284582



6125/2124-1501-6014-242 Art. No. 284582



## Accessories

### Mounting bracket

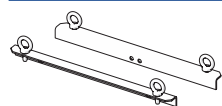


Stainless steel SS316L (1.4404 or V4A) without powder coating

Art. No.

221589

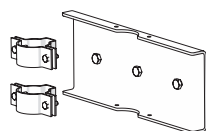
### Mounting set



for pendant mounting with ring bolts included - stainless steel SS316L (1.4404 or V4A) without powder coating

Art. No.

257464



for pole mounting with pole diameter of 50 mm - stainless steel SS316L (1.4404 or V4A) without powder coating

Art. No.

283361

for pole mounting with pole diameter of 60 mm - stainless steel SS316L (1.4404 or V4A) without powder coating

Art. No.

263824

We reserve the right to make alterations to the technical data, dimensions, weights, designs and products available without notice. The illustrations cannot be considered binding.