

6125/2124-5501-6014-331 Art. No. 284570



- LED high-power floodlight with power consumption of up to 225 W
- Wide-range voltage input between 110 V and 277 V (50 Hz and 60 Hz)
- Suitable for operation in central battery systems and DC mains (176 V to 264 V DC)
- Three wattage classes are available: 100 W, 160 W and 225 W
- An enclosure made from stainless steel 316L is also available for marine and offshore applications.
- Optionally available with DALI interface

### MY R. STAHL 6125B



The new generation of LED floodlights for Zone 1 also relies on the tried-and-tested, robust stainless steel enclosure (optionally seawater-resistant stainless steel 316L). However, thanks to their smaller design and a new generation of drivers, they weigh significantly less, thereby improving ergonomics during installation and operation. Now with three power classes and the three tried-and-tested light distribution curves, the LED floodlight generates three colours of LED light – warm white, neutral white and cold white.

## Technical Data

### Explosion Protection

|                                 |   |
|---------------------------------|---|
| Application range (zones)       | 1, 2, 21, 22  |
| IECEX gas explosion protection  | Ex db eb op is IIC T4 Gb                              |
| IECEX dust explosion protection | Ex tb op is IIIC T100 °C Db                           |
| ATEX gas explosion protection   | Ex II 2 G Ex db eb op is IIC T4 Gb                    |
| ATEX dust explosion protection  | Ex II 2 D Ex tb op is IIIC T100 °C Db                 |
| Certificates                    | ATEX (BVIS), Brazil (ULB), IECEX (BVIS), India (PESO) |
| Ship approval                   | DNV   |
| Declaration of conformity       | ATEX (EUK)  |

### Electrical Data

|                              |   |
|------------------------------|---|
| AC rated operational voltage | 110 ... 277 V   |
| Frequency range              | 50 – 60 Hz  |
| Control gear service life    | C10 ≥ 100 h, Ta ≤ 25 °C<br>C10 ≥ 50 h, Ta ≤ 60 °C<br>C10 ≥ 60 h, Ta ≤ 40 °C |
| LED service life             | L90B50: 66 h  |

### Lighting Data

|                    |            |
|--------------------|------------|
| Lamp wattage       | 225 W      |
| Lamp type          | LED        |
| Lamp               | LED        |
| Light colour       | Warm white |
| Light distribution | Wide beam  |
| Luminaire efficacy | 88 lm/W    |
| Luminous flux      | 19261 lm   |
| Colour rendering   | ≥ 80       |
| Colour temperature | 4000 K     |

6125/2124-5501-6014-331 Art. No. 284570

### Ambient Conditions

|                     |                   |
|---------------------|-------------------|
| Ambient temperature | -60 °C ... +60 °C |
| Storage temperature | -40 °C ... +75 °C |

### Mechanical Data

|   |   |
|---|---|
| Degree of protection (IP)                 | IP66  |
| Class                                     | I   |
| Enclosure material                        | Stainless steel 1.4301, Powder-coated<br>Single-layer powder-coated |
| Enclosure colour                          | Similar to RAL 9010   |
| Sealing material                          | Silicone  |
| Pane material                             | Reinforced glass  |
| Max. solid connection terminals           | 6 mm <sup>2</sup>   |
| Max. finely stranded connection terminals | 4 mm <sup>2</sup>   |
| Type of connection cable                  | Finely stranded<br>Solid  |
| Width                                     | 400 mm  |
| Height                                    | 84 mm   |
| Length                                    | 520 mm  |
| Impact strength (IEC 62262)               | IK10  |
| Mounting                                  | With bracket, SS304   |
| Weight                                    | 19 kg   |
| Weight                                    | 41.89 lb  |

### Mounting / Installation

|                     |          |
|---------------------|----------|
| Note about mounting | Provided |
|---------------------|----------|

### Components

|                          |                            |
|--------------------------|----------------------------|
| Drilled holes            | 3 x M25                    |
| Cable glands and entries | 1 x M25 x 1.5<br>CMP-25A2F |
| Stopping plugs           | 2 x M25 x 1.5              |
| Stopping plug material   | Polyamide, black           |

### Light Distribution Curves



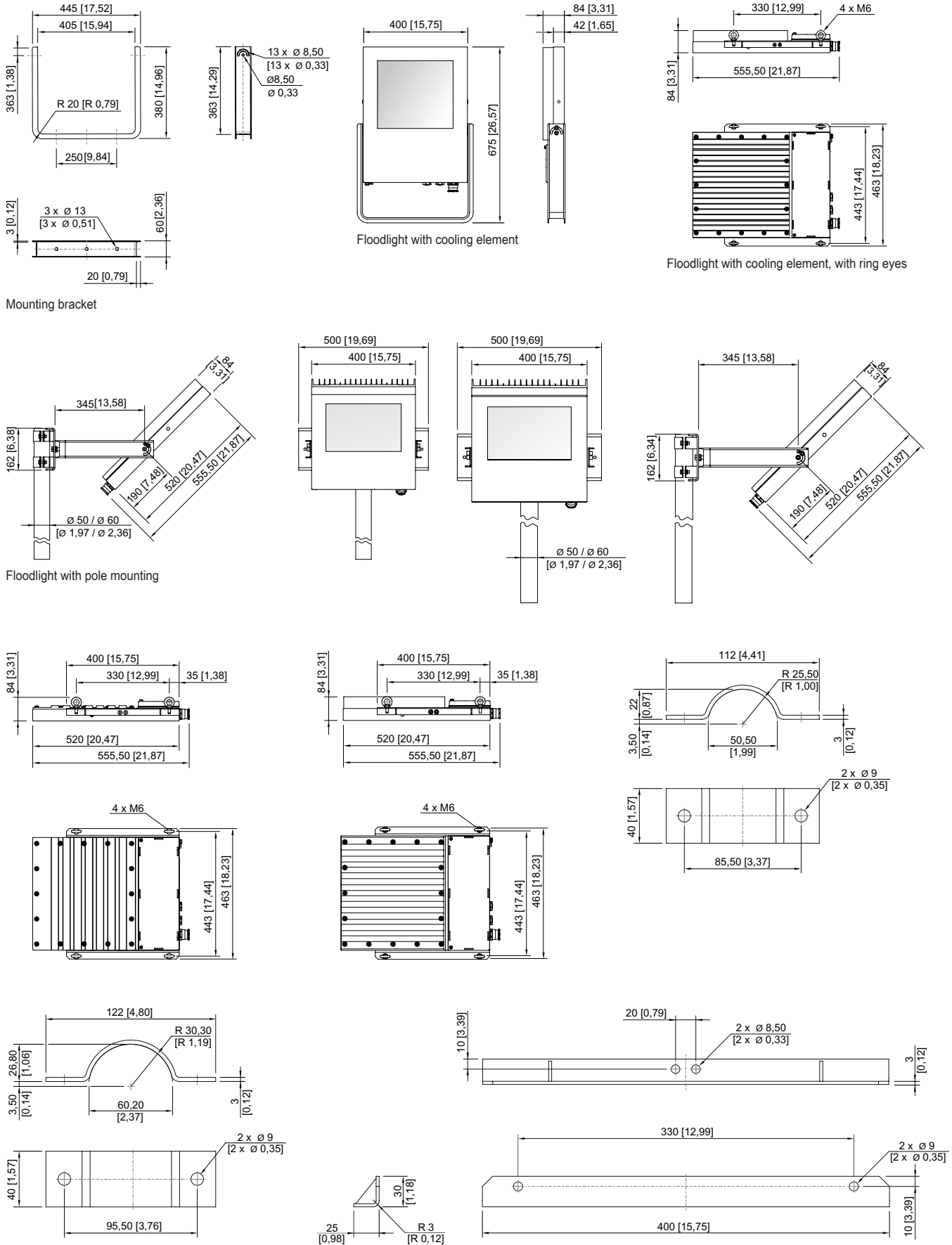
cd/klm 100%

— C0 - C180 — C90 - C270

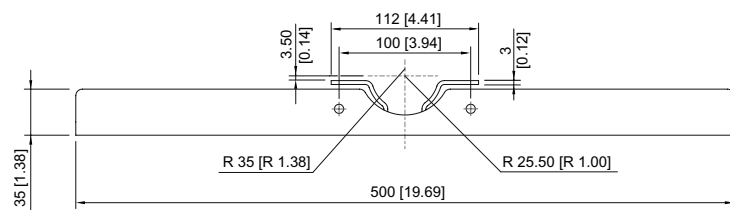
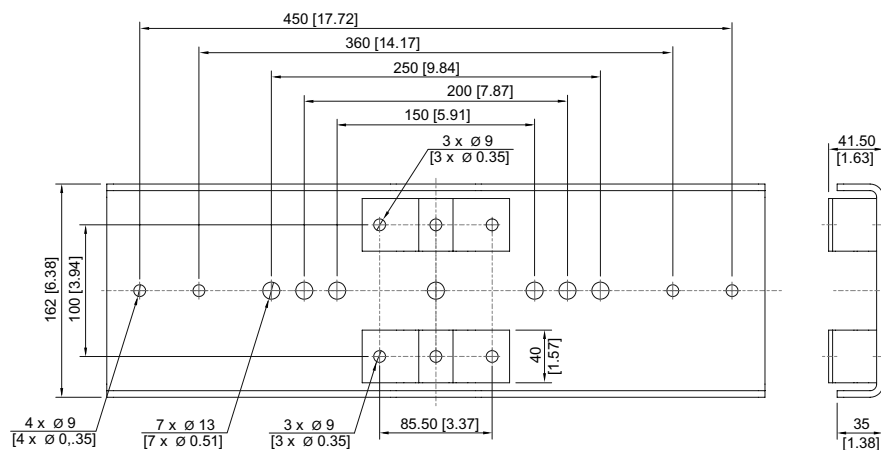
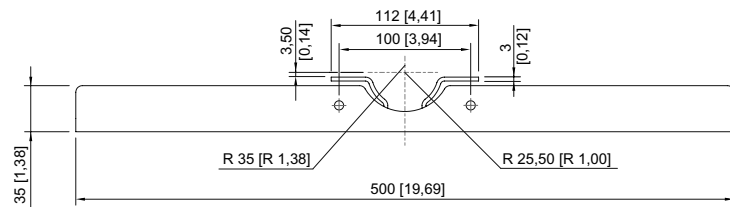
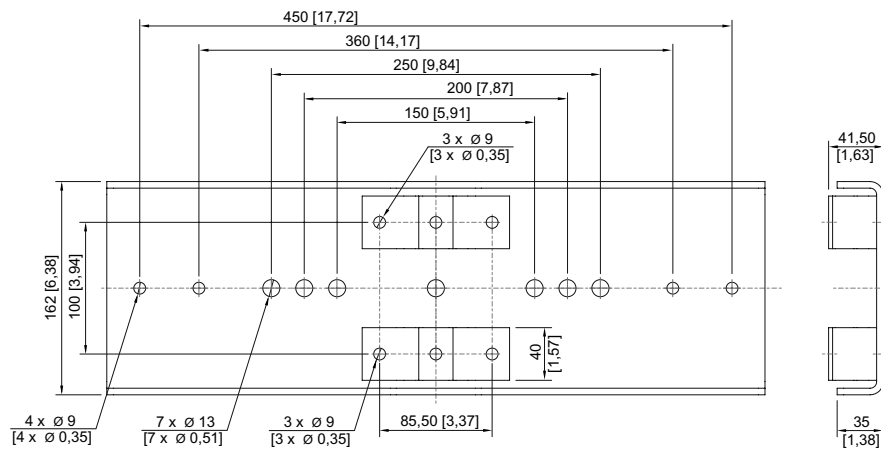
typ. broad beam

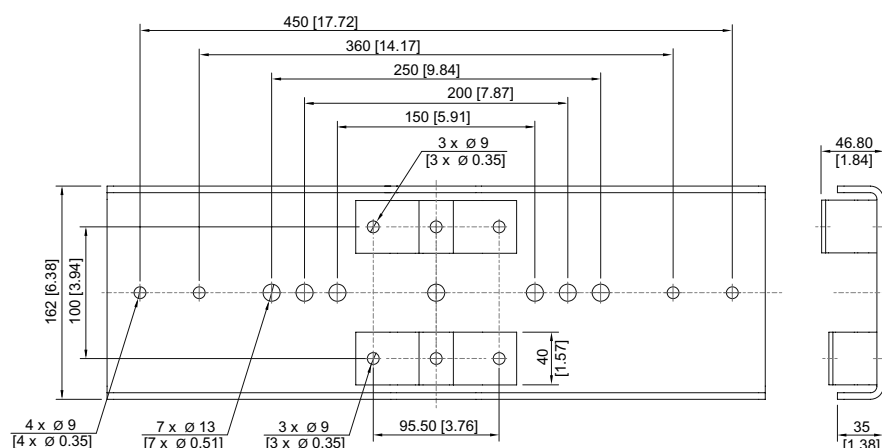
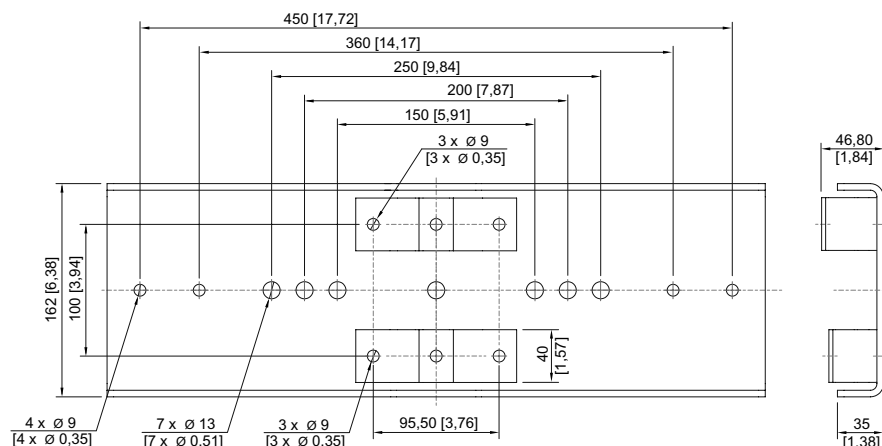
6125/2124-5501-6014-331 Art. No. 284570

**Dimensional Drawings (All Dimensions in mm [inches]) – Subject to Alterations**



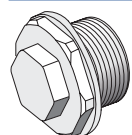
6125/2124-5501-6014-331 Art. No. 284570





## Accessories

### Breather



Thread: M20 x 1.5 (1 piece); for installation in light fittings; made from stainless steel; without jam nut

Art. No.

323702

Thread: M25 x 1.5 (1 piece); for installation in light fittings; made from stainless steel; without jam nut

296608

6125/2124-5501-6014-331 Art. No. 284570

| <b>Mounting set</b>   |   | <b>Art. No.</b> |
|---|---|-----------------|
|   | for pendant mounting with ring bolts included - stainless steel SS316L (1.4404 or V4A) without powder coating | 257464          |
|   | for pole mounting with pole diameter of 50 mm - stainless steel SS316L (1.4404 or V4A) without powder coating | 283361          |
|   | for pole mounting with pole diameter of 60 mm - stainless steel SS316L (1.4404 or V4A) without powder coating | 263824          |
| <b>Ring bolt</b>  |   | <b>Art. No.</b> |
|   | M6 (4 pieces), direct mounting in insert nuts   | 254234          |
| <b>Mounting bracket</b>   |   | <b>Art. No.</b> |
|  | Sheet steel, single powder coated   | 244604          |
|   | Stainless steel SS316L (1.4404 or V4A) without powder coating   | 221589          |

We reserve the right to make alterations to the technical data, dimensions, weights, designs and products available without notice. The illustrations cannot be considered binding.