

6525/2222-3501-6015-331 Art. No. 284539



- Checked and approved in accordance with Ex ec type of protection, so vapour tightness test is not applicable
- Stainless steel enclosure as standard for a long service life and safety even under harsh ambient conditions
- Extremely wide range of ambient temperatures – between -60 °C and +60 °C
- Robust design with IK10 and IP66
- Wide-range input with optional 100 V to 277 V
- DALI versions available for lighting control, monitoring and switching

MY R. STAHL 6525C



The revised generation of LED floodlights for Zone 2 now includes a version with Ex ec type of protection especially for the European market. This eliminates the time-consuming vapour tightness test. The wide-range input now also meets the electrical installation conditions for global use. With an optional DALI interface, the floodlight paves the way to a digital lighting solution. Its extremely low start-up current can also support existing installations, as the circuit breakers that are already installed do not need to be replaced.

### Technical Data

#### Explosion Protection

|                                 |   |
|---------------------------------|---|
| Application range (zones)       | 2<br>21<br>22                           |
| IECEX gas certificate           | IECEX EPS 15.0032                       |
| IECEX gas explosion protection  | Ex db ec IIC T4 Gc                      |
| IECEX dust certificate          | IECEX EPS 15.0032                       |
| IECEX dust explosion protection | Ex tb op is IIIC T100 °C Db             |
| ATEX gas certificate            | EPS 15 ATEX 1 991                       |
| ATEX gas explosion protection   | Ex II 3 G Ex db ec IIC T4 Gc            |
| ATEX dust certificate           | EPS 15 ATEX 1 991                       |
| ATEX dust explosion protection  | Ex II 2 D Ex tb op is IIIC T100 °C Db   |
| Certificates                    | ATEX (BVIS), IECEX (BVIS), India (PESO) |
| Declaration of Conformity       | ATEX (EUK)                              |

#### Electrical Data

|                              |             |
|------------------------------|-------------|
| Rated operational voltage AC | 110 – 277 V |
| Frequency range              | 50 – 60 Hz  |

#### Lighting Data

|                    |               |
|--------------------|---------------|
| Lamp wattage       | 160 W         |
| Lamp type          | LED           |
| Lamp               | LED           |
| Light colour       | Neutral white |
| Light distribution | Medium-beam   |
| Luminaire efficacy | 99 lm/W       |
| Luminous flux      | 15413 lm      |
| Colour rendering   | ≥ 80          |

6525/2222-3501-6015-331 Art. No. 284539

### Lighting Data

|                    |        |
|--------------------|--------|
| Colour temperature | 5000 K |
|--------------------|--------|

### Ambient Conditions

|                     |                   |
|---------------------|-------------------|
| Ambient temperature | -60 °C ... +60 °C |
| Storage temperature | -40 °C ... +75 °C |

### Mechanical Data

|   |   |
|---|---|
| Degree of protection (IP)                 | IP66  |
| Class                                     | I   |
| Enclosure material                        | Stainless steel 1.4301, Powder-coated<br>Single-layer powder-coated |
| Enclosure colour                          | Similar to RAL 9010   |
| Sealing material                          | Silicone  |
| Pane material                             | Reinforced glass  |
| Max. solid connection terminals           | 6 mm <sup>2</sup>   |
| Max. finely stranded connection terminals | 4 mm <sup>2</sup>   |
| Type of connection cable                  | Finely stranded<br>Solid  |
| Width                                     | 400 mm  |
| Height                                    | 84 mm   |
| Length                                    | 520 mm  |
| Impact strength (IEC 62262)               | IK10  |
| Fastening                                 | With bracket, SS304   |
| Weight                                    | 15 kg   |
| Weight                                    | 33.07 lb  |

### Mounting / Installation

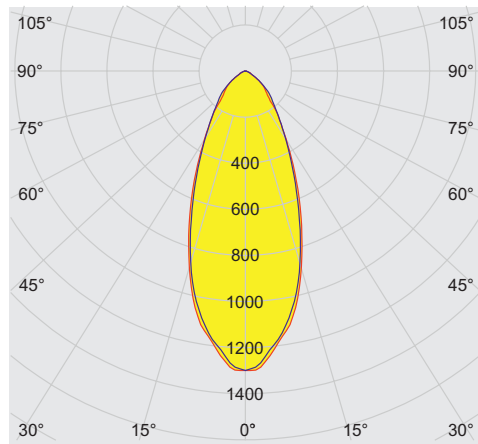
|                     |          |
|---------------------|----------|
| Note about mounting | Provided |
|---------------------|----------|

### Components

|                          |                            |
|--------------------------|----------------------------|
| Drilled holes            | 3 x M25                    |
| Cable glands and entries | CMP-25A2F<br>1 x M25 x 1.5 |
| Material cable gland     | Nickel-plated brass        |
| Stopping plugs           | 2 x M25 x 1.5              |
| Stopping plug material   | Polyamide, black           |

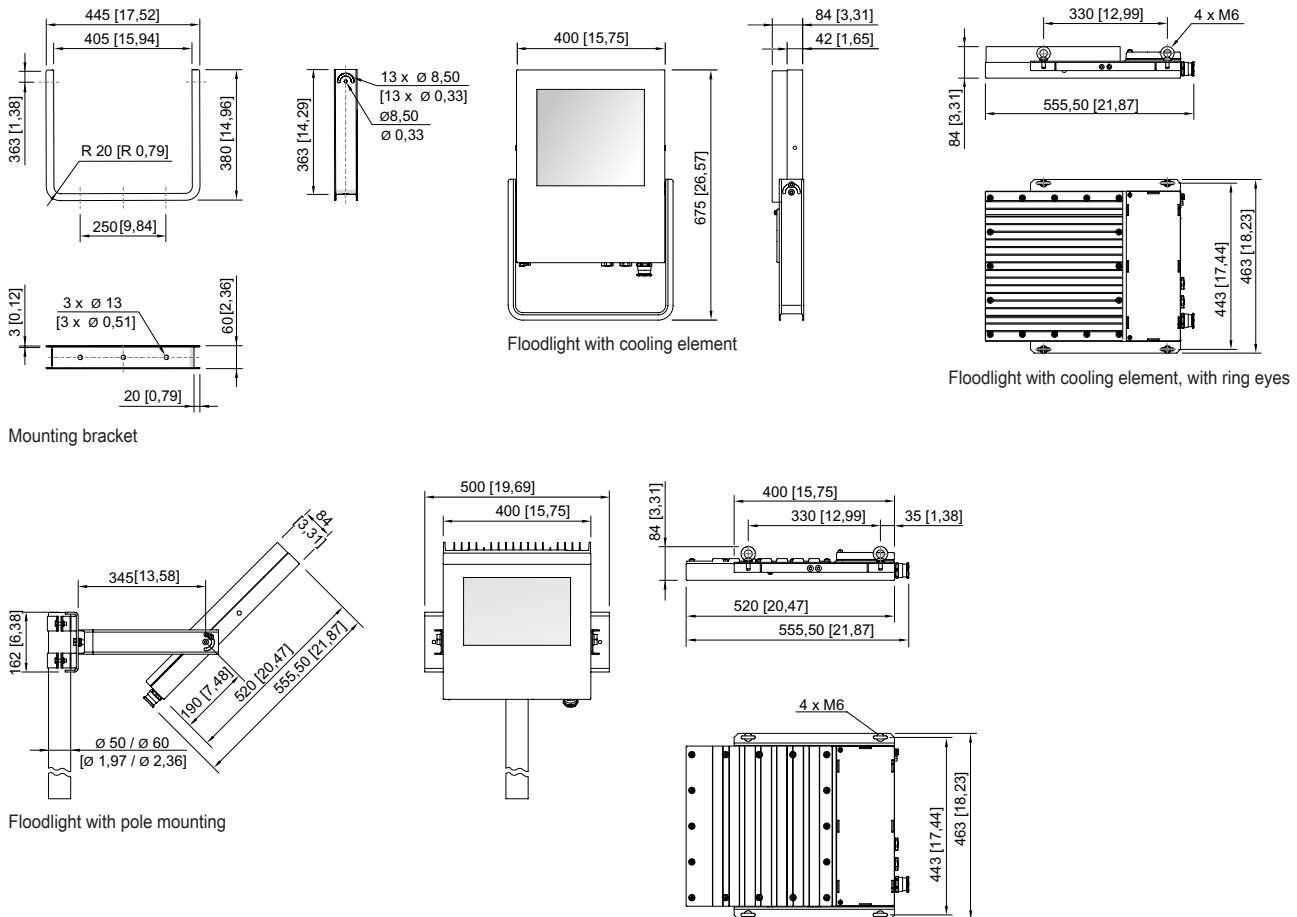
6525/2222-3501-6015-331 Art. No. 284539

### Light Distribution Curves



cd/klm 100%  
 — C0 - C180 — C90 - C270  
 typ. medium beam

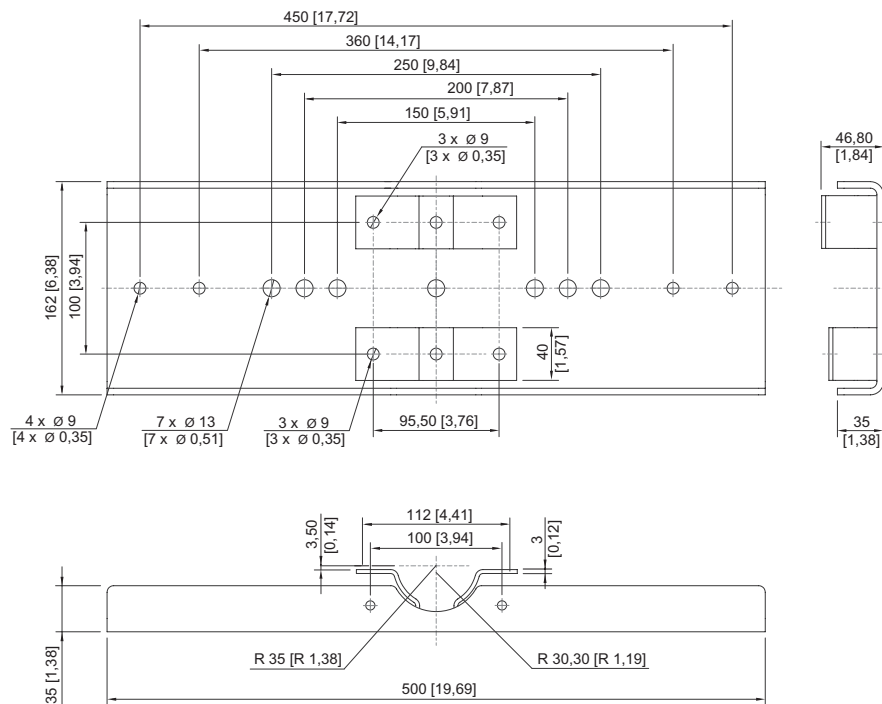
### Dimensional Drawings (All Dimensions in mm [inches]) – Subject to Alterations



6525/2222-3501-6015-331 Art. No. 284539



6525/2222-3501-6015-331 Art. No. 284539



## Accessories

### Mounting set

|  |   | Art. No. |
|--|---|----------|
|  | for pendant mounting with ring bolts included - stainless steel SS316L (1.4404 or V4A) without powder coating | 257464   |
|  | for pole mounting with pole diameter of 50 mm - stainless steel SS316L (1.4404 or V4A) without powder coating | 283361   |
|  | for pole mounting with pole diameter of 60 mm - stainless steel SS316L (1.4404 or V4A) without powder coating | 263824   |

### Ring bolt

|  |   | Art. No. |
|--|---|----------|
|  | M6 (4 pieces), direct mounting in insert nuts | 254234   |

### Mounting bracket

|  |   | Art. No. |
|--|---|----------|
|  | Sheet steel, single powder coated                             | 244604   |
|  | Stainless steel SS316L (1.4404 or V4A) without powder coating | 221589   |

We reserve the right to make alterations to the technical data, dimensions, weights, designs and products available without notice. The illustrations cannot be considered binding.