

8562/53-2048-250 Art. No. 285198



- Non-adjustable thermal and magnetic releases
- Isolating function in accordance with EN 60947-2
- Energy limiting class 3

MY R. STAHL 8562B



R. STAHL Series 8562 miniature circuit breakers boast good current limiting for short circuits and a high switching capacity of 6 or 10 kA. This results in a low load on conductors and a high selectivity for upstream fuses. The components have a modular design and are therefore available in 1- to 4-pole versions and for nominal currents from 0.5 to 40 A.

Technical Data

Explosion Protection

| | |
|--------------------------------|---|
| Application range (zones) | 1, 2 |
| IECEX gas explosion protection | Ex de IIC Gb |
| IECEX firedamp protection | Ex de I Mb |
| ATEX gas explosion protection | II 2 G Ex de IIC Gb |
| ATEX firedamp protection | I M2 Ex de I Mb |
| Certificates | ATEX (PTB), Brazil (ULB), China (CQST), IECEX (PTB) |

Electrical Data

| | |
|------------------------------|-------|
| Type of voltage | AC/DC |
| AC rated operational voltage | 400 V |
| DC rated operational voltage | 110 V |
| Rated operational current | 25 A |
| Rated operational current | 25 A |
| Rated switching capacity | 10 kA |
| Auxiliary contacts | 2 NO |
| No. of poles | 2 |
| N-pole present | No |
| Tripping characteristic | C |

Ambient Conditions

| | |
|---------------------|------------------|
| Ambient temperature | -20 °C ... 60 °C |
|---------------------|------------------|

Mechanical Data

| | |
|---------------------------|-------------|
| Degree of protection (IP) | IP20 |
| Enclosure material | Epoxy resin |
| Width | 72 mm |
| Width | 72 mm |
| Width, inches | 2.83 in |
| Length | 156 mm |
| Length in inches | 6.14 in |

8562/53-2048-250 Art. No. 285198

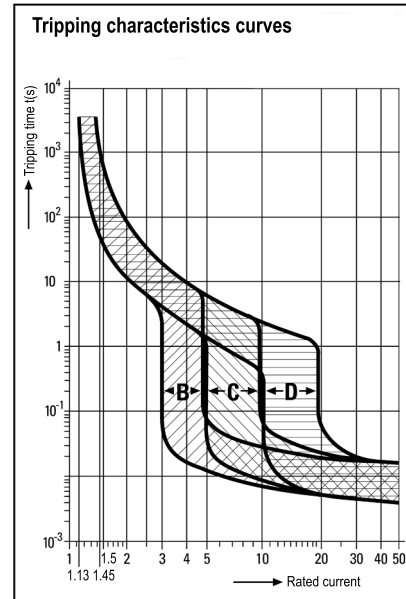
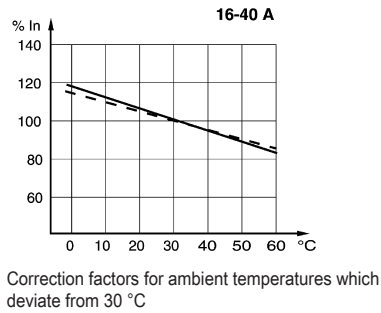
Mechanical Data

| | |
|--------------------------|---------|
| Mounting depth | 117 mm |
| Mounting depth in inches | 4.61 in |
| Weight | 1.5 kg |
| Weight | 3.31 lb |

Technical Drawings – Subject to Alterations

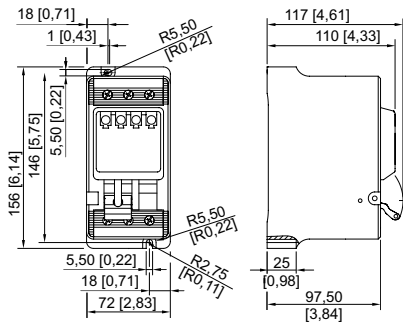


2-pole



Auxiliary contact 1 NO
Fault signal contact 1 NO

Dimensional Drawings (All Dimensions in mm [inches]) – Subject to Alterations



8562/53

We reserve the right to make alterations to the technical data, dimensions, weights, designs and products available without notice. The illustrations cannot be considered binding.