

6102/111-0100-150-0111-31-A850-00 Art. No. 287778



- Suitable for wall, ceiling and suspended mounting
- Available with DALI or ILS technology
- Emergency exit signs with suspended panel so that they can be read from both sides
- Large recognition distance $d \geq 30$ m
- Lightweight, robust and compact design

WebCode **6102A**



C-LUX 6102 series compact light fittings can be used for normal lighting or as emergency luminaires in conjunction with escape route signs and/or with ILS for programmable use in central battery systems.

Technical Data

Explosion Protection

Scope of validity	European Union (ATEX) IECEX
Ex version	Yes
Application range (zones)	1 2 21 22
IECEX gas certificate	IECEX IBE 19.0016
IECEX gas explosion protection	Ex db eb ib op is IIC T4 Gb
IECEX dust certificate	IECEX IBE 19.0016
IECEX dust explosion protection	Ex tb op is IIIC T100 °C Db
ATEX gas certificate	IBExU 19 ATEX 1072
ATEX gas explosion protection	Ex II 2 G Ex db eb ib op is IIC T4 Gb
ATEX dust certificate	IBExU 19 ATEX 1072
ATEX dust explosion protection	Ex II 2 D Ex tb op is IIIC T100 °C Db
Certificates	ATEX (IBE), Brazil (ULB), China (NEPSI), IECEX (IBE)
Ship approval	DNVGL

Electrical Data

Frequency range	50 – 60 Hz
Operating voltage AC	100...240 V \pm 10%
Operating voltage AC max.	264 V
Operating voltage DC	100...250 V \pm 10%
Operating voltage DC max.	275 V
Control interface	without

Lighting Data

Lamp	LED
Light colour	Cool white
Light distribution	0-60° (with deflection optics)

6102/111-0100-150-0111-31-A850-00 Art. No. 287778

Lighting Data

Luminaire efficacy	51 lm/W
Luminous flux	490 lm
Luminous flux	490 lm
Colour rendering	≥ 80
Colour temperature	5000 K
Colour temperature	5000 K

Ambient Conditions

Ambient temperature	-40 °C ... +50 °C Note: Through wiring max. 3x16 A -40 °C ... +60 °C Note: Through wiring 2 max. 3x10 A
---------------------	--

Mechanical Data

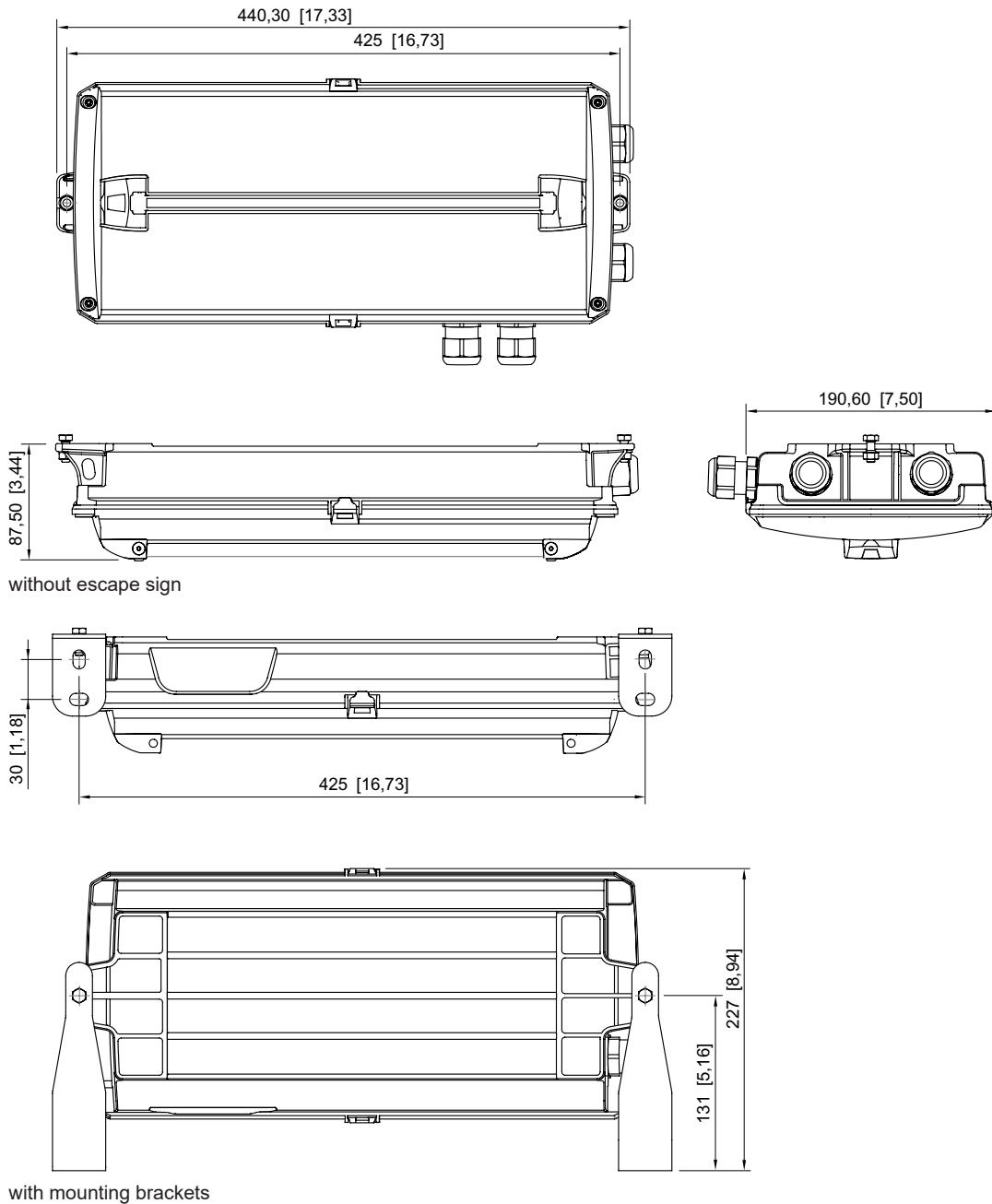
Degree of protection IP (IEC 60598)	IP66 / IP67
Class	I
Enclosure material	Thermoset
Cover material	polycarbonate
Sealing material	Silicone
Silicon free	w/o Influence on paint wetting
Installed terminal strip	PE + N + L1 + L2 + L3
Connection terminals solid max.	6 mm ²
Connection terminals finely-stranded max.	4 mm ²
Type of connection cable	Finely stranded Solid
Design size	1
Width	185 mm
Height	105 mm
Length	440 mm
Impact strength (IEC 62262)	IK08
Enclosure colour	Light grey (RAL 7035)
Weight	3.05 kg
Weight	6.72 lb
Disconnection of the luminaire	No

Components

Version	with deflection optics 0-60°
Threaded plate	Plastic
Ballast	6045/311-840-20 AC/DC Standard
Through wiring	Loop in/loop out wiring
Drilled holes	3 x M25
Cable entries	2 x M25 Ø 7 – 17 mm
Stopping plug	2 x M25 x 1.5
Stopping plug material	Polyamide, black
Breather	without
Accessories	Provided

6102/111-0100-150-0111-31-A850-00 Art. No. 287778

Dimensional Drawings (All Dimensions in mm [inches]) – Subject to Alterations

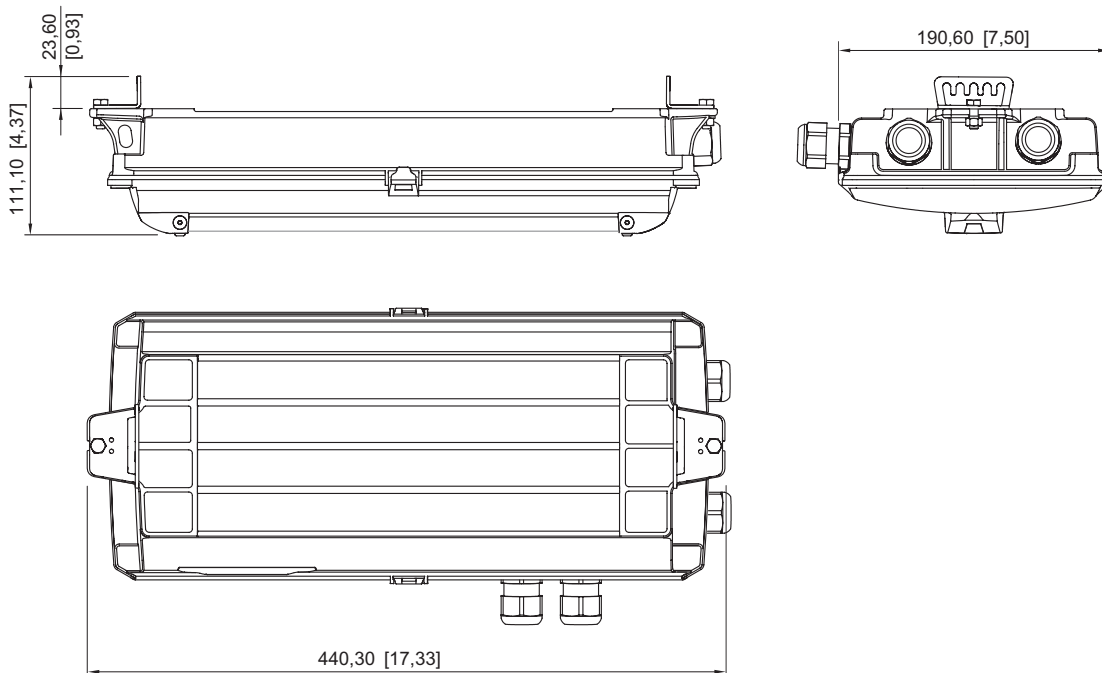


Lighting

Compact light fitting emergency luminaire

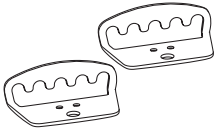
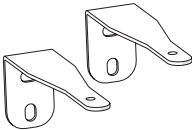


6102/111-0100-150-0111-31-A850-00 Art. No. 287778






for rope/chain mounting

Accessories

Fastening set		Art. No.
	for chain/rope assembly	275407
	for wall mounting	275408

Spare Parts

Light Panel		Art. No.
	Escape route, down	274776
	Escape route, up	274758
	Escape route, down double-sided	274780

6102/111-0100-150-0111-31-A850-00 Art. No. 287778

	Escape route, up double-sided	274772
	Escape route, left	274757
	Escape route, right	274775
	Escape route left/right double-sided	274773
	Escape route stairs, down left	274777
	Escape route stairs, down right	274778
	Escape route stairs, down double-sided	274779
	Escape route stairs, up left	274759
	Escape route stairs, up right	274760
	Escape route stairs, up double-sided	274771
	EXIT	275514
	Escape route double sided	275872
Optic		Art. No.
	Diffuser	274756
	Deflection optics	274781

We reserve the right to make alterations to the technical data, dimensions, weights, designs and products available without notice. The illustrations cannot be considered binding.