

6102/111-0100-150-0111-31-A850-00 Art. No. 287778



- Suitable for wall, ceiling and suspended mounting
- With either DALI or address module
- Emergency exit signs with suspended panel so that they can be read from both sides
- Large recognition range  $d \geq 30$  m
- Lightweight, robust and compact design

MY R. STAHL 6102A



The Series C-LUX 6102 compact light fittings can be used for normal lighting or as emergency luminaires in conjunction with emergency exit signs and/or an address module for use in central battery systems.

### Technical Data

#### Explosion Protection

Area of application	European Union (ATEX) IECEX
Ex version	Yes
Application range (zones)	1, 2, 21, 22
IECEX gas explosion protection	Ex db eb ib op is IIC T4 Gb
IECEX dust explosion protection	Ex tb op is IIIC T100 °C Db
ATEX gas explosion protection	Ⓔ II 2 G Ex db eb ib op is IIC T4 Gb
ATEX dust explosion protection	Ⓔ II 2 D Ex tb op is IIIC T100 °C Db
Certificates and approvals	ATEX IECEX UKEX
Certificates	ATEX (IBE), IECEX (IBE), Polen (CNBOP)
Declaration of conformity	ATEX (EUK)

#### Electrical Data

Frequency range	50 – 60 Hz
LED service life	L90B50 $\geq$ 100 h
AC operating voltage	100 ... 240 V
DC operating voltage	100 ... 250 V
Control interface	without

#### Lighting Data

Lamp	LED
Light colour	Cool white
Light distribution	0...60° (w. deflection opt.)
Luminaire efficacy	51 lm/W
Luminous flux	490 lm
Luminous flux	490 lm
Colour rendering	$\geq$ 80
Colour temperature	5000 K

# Lighting

## Compact light fitting Emergency luminaire



6102/111-0100-150-0111-31-A850-00 Art. No. 287778

### Lighting Data

Colour temperature	5000 K
--------------------	--------

### Ambient Conditions

Ambient temperature	-40 °C ... +50 °C Note: Through wiring Max. 3x16 A -40 °C ... +60 °C Note: Through wiring 2 Max. 3x10 A
---------------------	--

### Mechanical Data

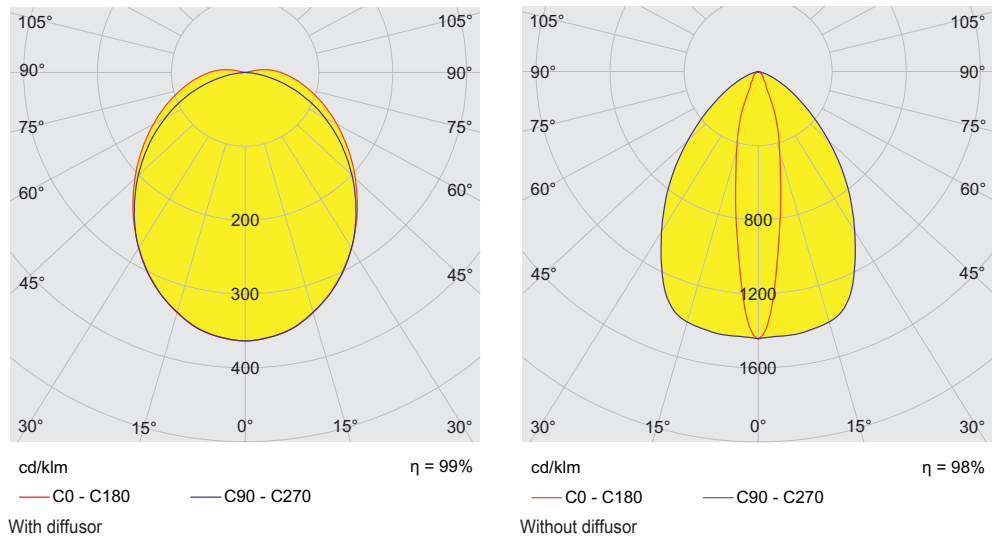
IP degree of protection (IEC 60598)	IP66 / IP67
Class	I
Enclosure material	Thermoset
Enclosure colour	Light grey (RAL 7035)
Cover material	Polycarbonate
Sealing material	Silicone
Silicone-free content	Without influence on paint wetting
Installed terminal strip	PE + N + L1 + L2 + L3
Max. solid connection terminals	6 mm <sup>2</sup>
Max. finely stranded connection terminals	4 mm <sup>2</sup>
Type of connection cable	Finely stranded Solid
Size	1
Width	185 mm
Height	105 mm
Length	440 mm
Impact strength (IEC 62262)	IK08
Disconnection of the luminaire	No
Weight	3.05 kg
Weight	6.72 lb

### Components

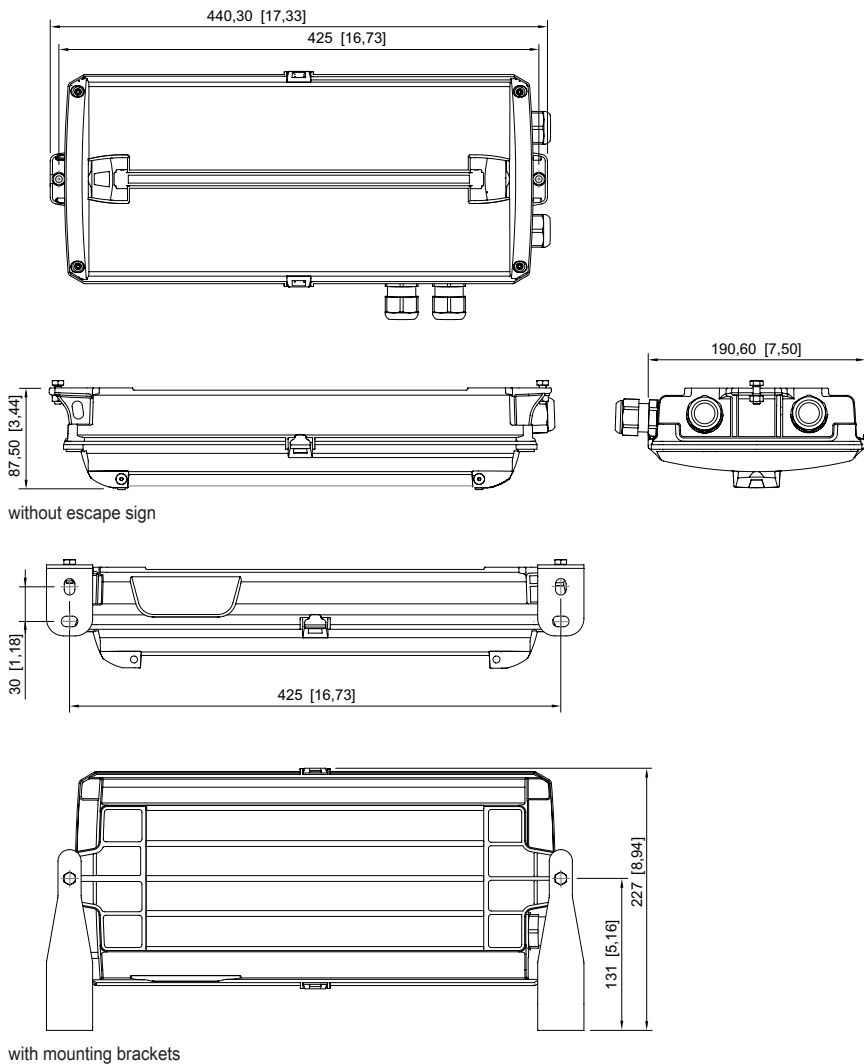
Variant	With deflection optics 0–60°
Threaded plate	Plastic
Ballast	6045/311-840-20 AC/DC standard
Through wiring	Loop in/loop out
Drilled holes	3 x M25
Cable glands and entries	2 x M25 Ø 7 ... 17 mm
Stopping plugs	2 x M25 x 1.5
Stopping plug material	Polyamide, black
Breather	without
Accessories	Provided

6102/111-0100-150-0111-31-A850-00 Art. No. 287778

### Light Distribution Curves



### Dimensional Drawings (All Dimensions in mm [inches]) – Subject to Alterations

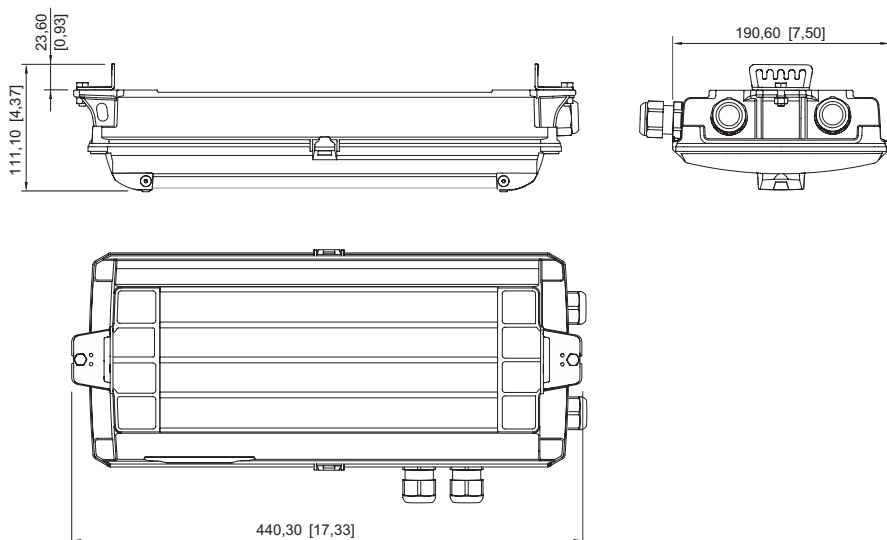


# Lighting

## Compact light fitting Emergency luminaire



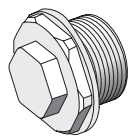
6102/111-0100-150-0111-31-A850-00 Art. No. 287778



for rope/chain mounting

### Accessories

#### Breather



Thread: M20 x 1.5 (1 piece); for installation in light fittings; made from stainless steel; without jam nut

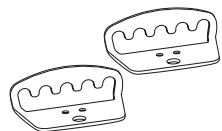
Art. No.

323702

Thread: M25 x 1.5 (1 piece); for installation in light fittings; made from stainless steel; without jam nut

296608

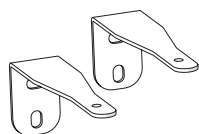
#### Fastening set



for chain/rope assembly

Art. No.

275407



for wall mounting

275408

#### Light panel



Escape route double sided

Art. No.

275872



Escape route, down

274776



Escape route, up

274758



Escape route, down double-sided

274780

# Lighting

## Compact light fitting Emergency luminaire



6102/111-0100-150-0111-31-A850-00 Art. No. 287778

Light panel		Art. No.
	Escape route, left	274757
	Escape route, right	274775
	Escape route left/right double-sided	274773
	Escape route stairs, down left	274777
	Escape route stairs, down right	274778
	Escape route stairs, down double-sided	274779
	Escape route stairs, up left	274759
	Escape route stairs, up right	274760
	Escape route stairs, up double-sided	274771
	Escape route, up double-sided	274772
	EXIT	275514

### Spare Parts

Optic		Art. No.
	Diffuser	274756

# Lighting

## Compact light fitting Emergency luminaire



6102/111-0100-150-0111-31-A850-00 Art. No. 287778

---

Diffusing lens	Art. No.
 Deflection optics	274781



We reserve the right to make alterations to the technical data, dimensions, weights, designs and products available without notice. The illustrations cannot be considered binding.