

# Lighting

## Compact light fitting Emergency luminaire

With battery

6109/111-0101-160-0111-31-1850-B11 Art. No. 287801



- Suitable for wall, ceiling and suspended mounting
- Operating modes: Continuous mode, continuous mode with switchable emergency lighting
- With function and rated operating time test with optional DALI technology
- Large recognition range  $d \geq 30$  m
- Emergency exit signs with suspended panel so that they can be read from both sides
- Lightweight, robust and compact design

MY R. STAHL 6109A



C-LUX 6109 series compact emergency luminaires can be used for emergency lighting, as well as for indication or escape route luminaires.

### Technical Data

#### Explosion Protection

|                                 |  |
|---------------------------------|--|
| Area of application             | European Union (ATEX)<br>IECEX         |
| Ex version                      | Yes                                    |
| Application range (zones)       | 1, 2, 21, 22                           |
| IECEX gas explosion protection  | Ex db eb ib op is IIC T4 Gb            |
| IECEX dust explosion protection | Ex tb op is IIIC T100 °C Db            |
| ATEX gas explosion protection   | ⊕ II 2 G Ex db eb ib op is IIC T4 Gb   |
| ATEX dust explosion protection  | ⊕ II 2 D Ex tb op is IIIC T100 °C Db   |
| Certificates and approvals      | ATEX<br>IECEX<br>UKEX                  |
| Certificates                    | ATEX (IBE), IECEX (IBE), Polen (CNBOP) |
| Declaration of conformity       | ATEX (EUK)                             |

#### Electrical Data

|                           |                                    |
|---------------------------|------------------------------------|
| Frequency range           | 50 – 60 Hz                         |
| Battery version           | NiCd battery, gas-tight            |
| Battery operating voltage | 6 V                                |
| Battery capacity          | 2.2 Ah                             |
| Self-test function        | Function and battery duration test |
| LED service life          | L90B50 $\geq$ 100 h                |
| AC operating voltage      | 100 ... 240 V                      |
| Control interface         | without                            |

#### Lighting Data

|                        |                                       |
|------------------------|---------------------------------------|
| Lamp                   | LED                                   |
| Luminous flux          | 0 lm                                  |
| Operating time         | 1.5 / 3h emergency lighting operation |
| Emergency light output | 25% – 3 h<br>50% – 1.5 h              |

# Lighting

## Compact light fitting Emergency luminaire

With battery

6109/111-0101-160-0111-31-1850-B11 Art. No. 287801



### Ambient Conditions

|                     |  |
|---------------------|--|
| Ambient temperature | -30°C ... +50°C Note: Through wiring Max. 3x16 A<br>-30°C ... +60°C Note: Through wiring 2 Max. 3x10 A |
|---------------------|--|

### Mechanical Data

|   |                                    |
|---|------------------------------------|
| IP degree of protection (IEC 60598)       | IP66 / IP67                        |
| Class                                     | I                                  |
| Enclosure material                        | Thermoset                          |
| Enclosure colour                          | Light grey (RAL 7035)              |
| Cover material                            | Polycarbonate                      |
| Sealing material                          | Silicone                           |
| Silicone-free content                     | Without influence on paint wetting |
| Pane material                             | PMMA                               |
| Installed terminal strip                  | PE + N + L1 + L2 + L3 + L"         |
| Max. solid connection terminals           | 6 mm <sup>2</sup>                  |
| Max. finely stranded connection terminals | 4 mm <sup>2</sup>                  |
| Type of connection cable                  | Finely stranded<br>Solid           |
| Size                                      | 1                                  |
| Width                                     | 185 mm                             |
| Height                                    | 240 mm                             |
| Length                                    | 440 mm                             |
| Impact strength (IEC 62262)               | IK08                               |
| Disconnection of the luminaire            | No                                 |
| Weight                                    | 4 kg                               |
| Weight                                    | 8.82 lb                            |

### Components

|                          |                                       |
|--------------------------|---------------------------------------|
| Variant                  | Escape route to the left Single-sided |
| Threaded plate           | Plastic                               |
| Ballast                  | 6046/311-841-060 NLE standard         |
| Through wiring           | Loop in/loop out                      |
| Drilled holes            | 3 x M25                               |
| Cable glands and entries | 2 x M25 Ø 7 ... 17 mm                 |
| Stopping plugs           | 2 x M25 x 1.5                         |
| Stopping plug material   | Polyamide, black                      |
| Breather                 | without                               |
| Accessories              | Provided                              |

# Lighting

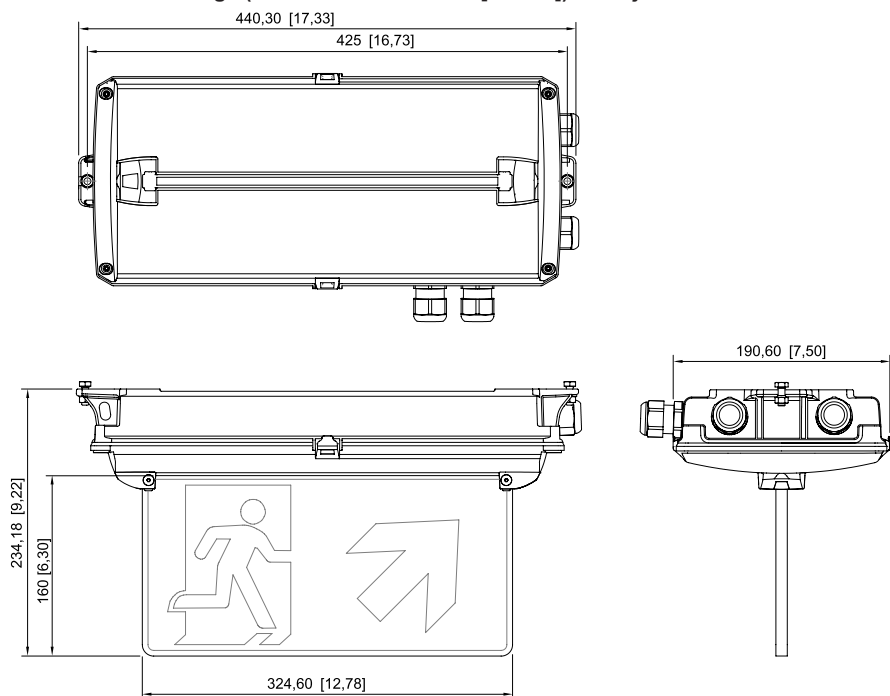
## Compact light fitting Emergency luminaire

With battery

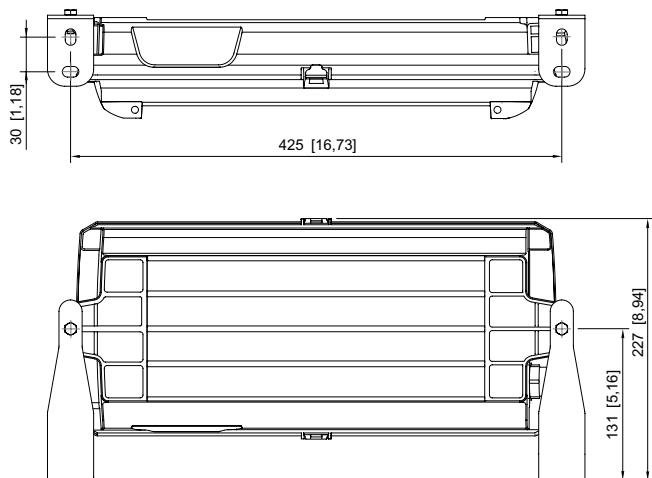
6109/111-0101-160-0111-31-1850-B11 Art. No. 287801



### Dimensional Drawings (All Dimensions in mm [inches]) – Subject to Alterations



with escape sign



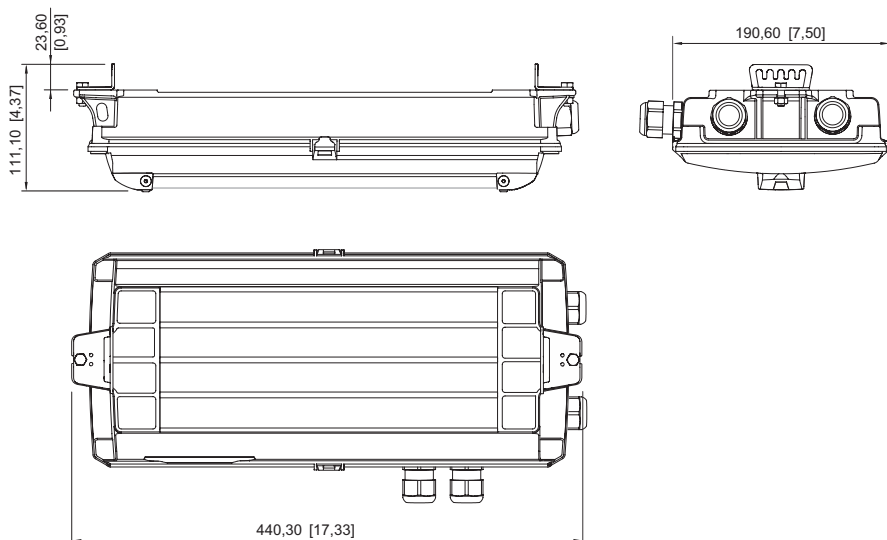
with mounting brackets

# Lighting

Compact light fitting Emergency luminaire

With battery

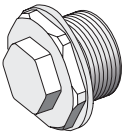
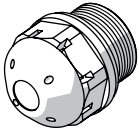
6109/111-0101-160-0111-31-1850-B11 Art. No. 287801



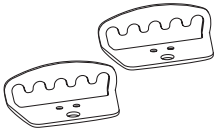
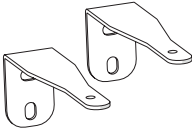
for rope/chain mounting

## Accessories



### Breather

|  |   | Art. No. |
|--|---|----------|
|  | Thread: M20 x 1.5 (1 piece); for installation in light fittings; made from stainless steel; without jam nut | 323702   |
|  | Thread: M25 x 1.5 (1 piece); for installation in light fittings; made from stainless steel; without jam nut | 296608   |
|  | M25 x 1.5 in order to avoid condensate formation  | 115738   |

### Fastening set

|  |                         | Art. No. |
|--|-------------------------|----------|
|  | for chain/rope assembly | 275407   |
|  | for wall mounting       | 275408   |

### Light panel

|  |                           | Art. No. |
|--|---------------------------|----------|
|  | Escape route double sided | 275872   |
|  | Escape route, down        | 274776   |

# Lighting

Compact light fitting Emergency luminaire

With battery

6109/111-0101-160-0111-31-1850-B11 Art. No. 287801



| Light panel  |  | Art. No. |
|--|--|----------|
|    | Escape route, up                       | 274758   |
|    | Escape route, down double-sided        | 274780   |
|    | Escape route, up double-sided          | 274772   |
|    | Escape route, left                     | 274757   |
|   | Escape route, right                    | 274775   |
|  | Escape route left/right double-sided   | 274773   |
|  | Escape route stairs, down left         | 274777   |
|  | Escape route stairs, down right        | 274778   |
|  | Escape route stairs, down double-sided | 274779   |
|  | Escape route stairs, up left           | 274759   |
|  | Escape route stairs, up right          | 274760   |
|  | Escape route stairs, up double-sided   | 274771   |
|  | EXIT                                   | 275514   |

# Lighting

Compact light fitting Emergency luminaire

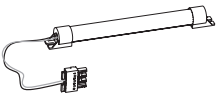
With battery

6109/111-0101-160-0111-31-1850-B11 Art. No. 287801



## Spare Parts

### Battery set

|  |                                       | Art. No. |
|--|---------------------------------------|----------|
|  | NiCd battery, gas-tight; 2.2 Ah / 6 V | 273190   |

### Optic

|  |          | Art. No. |
|--|----------|----------|
|  | Diffuser | 274756   |

### Diffusing lens

|  |                   | Art. No. |
|--|-------------------|----------|
|  | Deflection optics | 274781   |

We reserve the right to make alterations to the technical data, dimensions, weights, designs and products available without notice. The illustrations cannot be considered binding.