

# Lighting

## Compact light fitting Emergency luminaire

With battery

6109/111-0101-160-0111-31-4850-001 Art. No. 287813



- Suitable for wall, ceiling and suspended mounting
- Operating modes: Continuous mode, continuous mode with switchable emergency lighting
- With function and rated operating time test with optional DALI technology
- Large recognition range  $d \geq 30$  m
- Emergency exit signs with suspended panel so that they can be read from both sides
- Lightweight, robust and compact design

MY R. STAHL 6109A



C-LUX 6109 series compact emergency luminaires can be used for emergency lighting, as well as for indication or escape route luminaires.

### Technical Data

#### Explosion Protection

|                                 |   |
|---------------------------------|---|
| Scope of validity               | European Union (ATEX)<br>IECEX                                      |
| Ex version                      | Yes   |
| Application range (zones)       | 1<br>2<br>21<br>22  |
| IECEX gas certificate           | IECEX IBE 19.0016   |
| IECEX gas explosion protection  | Ex db eb ib op is IIC T4 Gb   |
| IECEX dust certificate          | IECEX IBE 19.0016   |
| IECEX dust explosion protection | Ex tb op is IIIC T100 °C Db   |
| ATEX gas certificate            | IBExU 19 ATEX 1072  |
| ATEX gas explosion protection   | Ex II 2 G Ex db eb ib op is IIC T4 Gb                               |
| ATEX dust certificate           | IBExU 19 ATEX 1072  |
| ATEX dust explosion protection  | Ex II 2 D Ex tb op is IIIC T100 °C Db                               |
| Certificates and approvals      | ATEX<br>IECEX   |
| Certificates                    | ATEX (IBE), Brazil (ULB), China (NEPSI), IECEX (IBE), Polen (CNBOP) |
| Ship approval                   | DNVGL   |
| Declaration of Conformity       | ATEX (EUK), Declaration of Conformity (AUS)                         |

#### Electrical Data

|                           |                                    |
|---------------------------|------------------------------------|
| Battery version           | NiCd battery, gas-tight            |
| Battery operating voltage | 6 V                                |
| Battery capacity          | 2.2 Ah                             |
| Self-test function        | Function and battery duration test |
| Frequency range           | 50 – 60 Hz                         |
| Operating voltage AC      | 100 to 240 V $\pm$ 10%             |
| Max operating voltage AC  | 264 V                              |
| Control interface         | without                            |

# Lighting

## Compact light fitting Emergency luminaire

With battery

6109/111-0101-160-0111-31-4850-001 Art. No. 287813



### Lighting Data

|                        |                                       |
|------------------------|---------------------------------------|
| Lamp                   | LED                                   |
| Light colour           | Cool white                            |
| Light distribution     | 80° (with diffuser)                   |
| Luminaire efficacy     | 75 lm/W                               |
| Luminous flux          | 600 lm                                |
| Luminous flux          | 600 lm                                |
| Operating time         | 1.5 / 3h emergency lighting operation |
| Emergency light output | 25% – 3 h<br>50% – 1.5 h              |
| Colour rendering       | ≥ 80                                  |
| Colour temperature     | 5000 K                                |
| Colour temperature     | 5000 K                                |

### Ambient Conditions

|                     |  |
|---------------------|--|
| Ambient temperature | -30°C ... +50°C Note: Through wiring Max. 3x16 A<br>-30°C ... +60°C Note: Through wiring 2 Max. 3x10 A |
|---------------------|--|

### Mechanical Data

|   |                                    |
|---|------------------------------------|
| IP degree of protection (IEC 60598)       | IP66 / IP67                        |
| Class                                     | I                                  |
| Enclosure material                        | Thermoset                          |
| Enclosure colour                          | Light grey (RAL 7035)              |
| Diffuser                                  | With diffuser 2 x 40°              |
| Cover material                            | Polycarbonate                      |
| Sealing material                          | Silicone                           |
| Silicone-free content                     | Without influence on paint wetting |
| Installed terminal strip                  | PE + N + L1 + L2 + L3 + L"         |
| Max. solid connection terminals           | 6 mm <sup>2</sup>                  |
| Max. finely stranded connection terminals | 4 mm <sup>2</sup>                  |
| Type of connection cable                  | Finely stranded<br>Solid           |
| Size                                      | 1                                  |
| Width                                     | 185 mm                             |
| Height                                    | 90 mm                              |
| Length                                    | 440 mm                             |
| Impact strength (IEC 62262)               | IK08                               |
| Weight                                    | 3.4 kg                             |
| Weight                                    | 7.5 lb                             |
| Disconnection of the luminaire            | No                                 |

### Components

|                          |                               |
|--------------------------|-------------------------------|
| Version                  | With diffuser 2 x 40°         |
| Threaded plate           | Plastic                       |
| Ballast                  | 6046/311-841-060 NLE standard |
| Through wiring           | Loop in/loop out              |
| Drilled holes            | 3 x M25                       |
| Cable glands and entries | 2 x M25 Ø 7 ...               |
| Stopping plugs           | 2 x M25 x 1.5                 |

# Lighting

## Compact light fitting Emergency luminaire

With battery

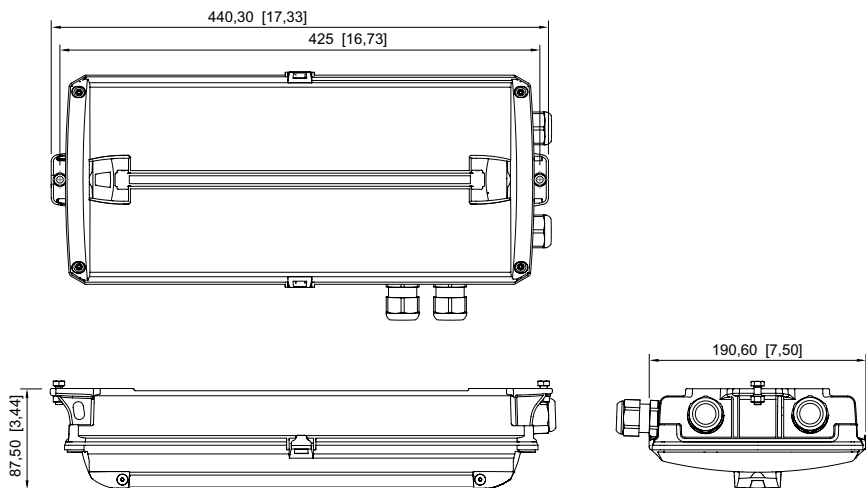
6109/111-0101-160-0111-31-4850-001 Art. No. 287813



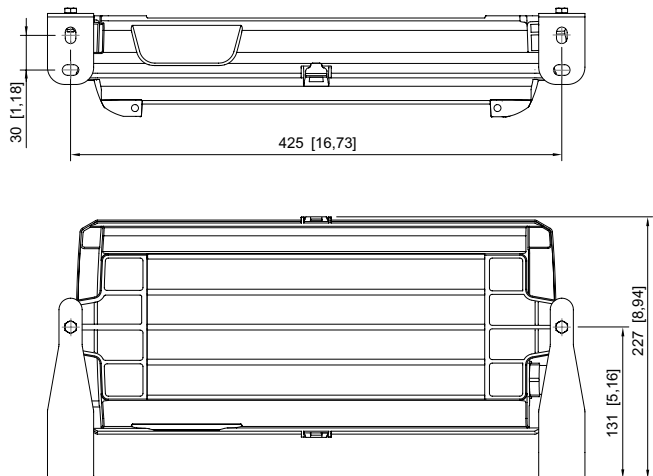
### Components

|                        |                  |
|------------------------|------------------|
| Stopping plug material | Polyamide, black |
| Breather               | without          |
| Accessories            | Provided         |

### Dimensional Drawings (All Dimensions in mm [inches]) – Subject to Alterations



without escape sign



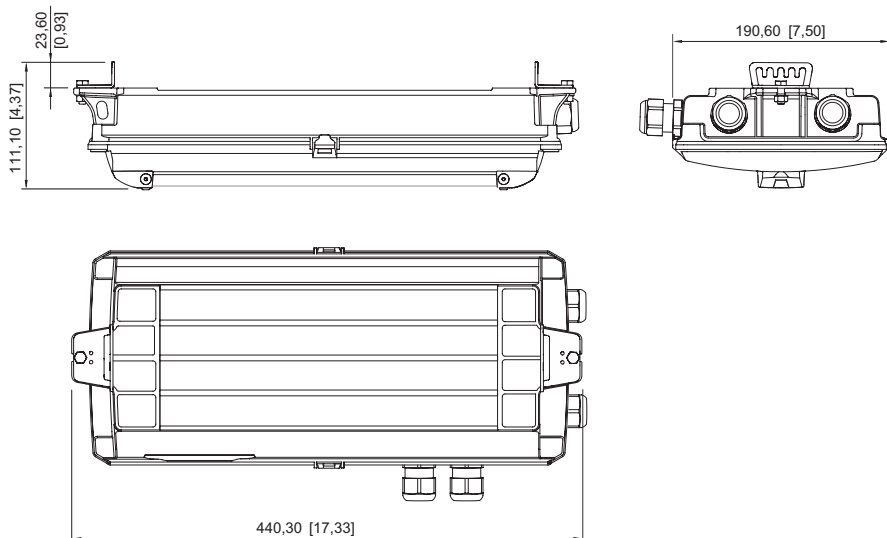
with mounting brackets

# Lighting

Compact light fitting Emergency luminaire

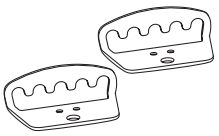
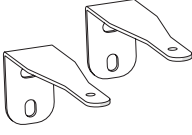





With battery

6109/111-0101-160-0111-31-4850-001 Art. No. 287813



for rope/chain mounting

## Accessories

| Fastening set  |                                 | Art. No. |
|--|---------------------------------|----------|
|  | for chain/rope assembly         | 275407   |
|  | for wall mounting               | 275408   |
| Light panel  |                                 | Art. No. |
|  | Escape route double sided       | 275872   |
|  | Escape route, down              | 274776   |
|  | Escape route, up                | 274758   |
|  | Escape route, down double-sided | 274780   |
|  | Escape route, up double-sided   | 274772   |

## Lighting

Compact light fitting Emergency luminaire

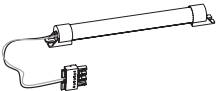


With battery

6109/111-0101-160-0111-31-4850-001 Art. No. 287813

STAHL

|  |  |        |
|--|--|--------|
|    | Escape route, left                     | 274757 |
|    | Escape route, right                    | 274775 |
|    | Escape route left/right double-sided   | 274773 |
|    | Escape route stairs, down left         | 274777 |
|    | Escape route stairs, down right        | 274778 |
|  | Escape route stairs, down double-sided | 274779 |
|  | Escape route stairs, up left           | 274759 |
|  | Escape route stairs, up right          | 274760 |
|  | Escape route stairs, up double-sided   | 274771 |
|  | EXIT                                   | 275514 |

## Spare Parts

| Battery set  |                                       | Art. No. |
|--|---------------------------------------|----------|
|  | NiCd battery, gas-tight; 2.2 Ah / 6 V | 273190   |
| Optic  |                                       | Art. No. |
|  | Diffuser                              | 274756   |
|  | Deflection optics                     | 274781   |

## Lighting

Compact light fitting Emergency luminaire

With battery

6109/111-0101-160-0111-31-4850-001 Art. No. 287813

---



We reserve the right to make alterations to the technical data, dimensions, weights, designs and products available without notice. The illustrations cannot be considered binding.