

# Installation equipment

## 32 A wall-mounting socket



7571/11-405 Art. No. 126462



- For use in Zones 2 and 22, IP66 in every application position
- Optional auxiliary contacts for control and signalling purposes
- With AC-3 motor switching capacity according to IEC/EN 60947-3

MY R. STAHL 7571A



R. STAHL Series 7571/11 SolConeX sockets offer full AC-3 switching capacity up to 32 A for Zones 2 and 22. Self-cleaning lamellar contacts provide optimum contact and the floating pins allow the plugs to be inserted and removed in the zero position with minimum effort. The load disconnect switch, with a mechanical locking device and a handle that can be locked in the 0 or I position, is an additional safety feature.

### Technical Data

Explosion Protection	
Application range (zones)	2, 22
Explosion protection note	Product label may vary. Series devices are labelled with ATEX and IECEx.
Electrical Data	
Type of voltage	Low voltage
AC rated operational voltage	600 ... 690 V AC
Rated operational current	32 A
Electrical service life	> 2x10 <sup>3</sup> switching cycles
Mechanical service life	> 2x10 <sup>3</sup> switching cycles
Switching capacity main contacts	7.5 kW: 220 to 240 V 15 kW: 380 to 415 V 30 kW: 600 to 690 V
Frequency range	50 / 60 Hz
Device Specific Data	
Back-up fuse with thermal protection	63 A gG
Back-up fuse without thermal protection	35 A gG
Ambient Conditions	
Ambient temperature	-30 °C ... 40 °C (T6) -30 °C ... 55 °C (T5)
Mechanical Data	
Degree of protection IP (IEC 60529)	IP66
IP degree of protection (IEC 60079)	IP66
Enclosure material	Polyamide, Glass fibre reinforced
Silicone-free	Yes
Solid connection cross-section	1 x 2.5 mm <sup>2</sup> ... 2 x 10 mm <sup>2</sup>
Connection cross-section AWG single stranded	1 x AWG 14 ... 2 x AWG 8
Finely stranded connection cross-section	1 x 2.5 mm <sup>2</sup> ... 2 x 6 mm <sup>2</sup>

# Installation equipment

## 32 A wall-mounting socket



7571/11-405 Art. No. 126462

### Mechanical Data

Finely stranded connection cross-section AWG	1 x AWG 14 ... 2 x AWG 10
Width	135 mm
Width, inches	5.31 in
Height	206 mm
Height in inches	8.12 in
Length	280 mm
Length in inches	11.04 in
Impact strength (IEC 60079)	7 J
Impact strength (IEC 62262)	IK10
Colour code	Black
Coding (clock hour position)	5
Lockable in	in 0- and I-position
Series	SolConeX
Detailed number of poles	3 P + PE
Weight	2 kg
Weight	4.41 lb

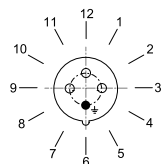
### Mounting / Installation

Connection	Screw terminal
------------	----------------

### Components

Cable entry note	Entry 1: Bottom left Entry 2: Bottom right
Entry 1 model	8161/7-M32-2109
Entry 1 type	Polyamide cable gland
Entry 1	M32 x 1.5
Entry 1 clamping range	9 – 21 mm
Entry 1 clamping range	9 – 21 mm
Entry 1 clamping range, inch	0.35 – 0.83 in
Metal entry possible 1	No
Entry 2 model	8290/3-M32
Entry 2 type	Polyamide stopping plug
Entry 2	M32 x 1.5
Metal entry possible 2	No

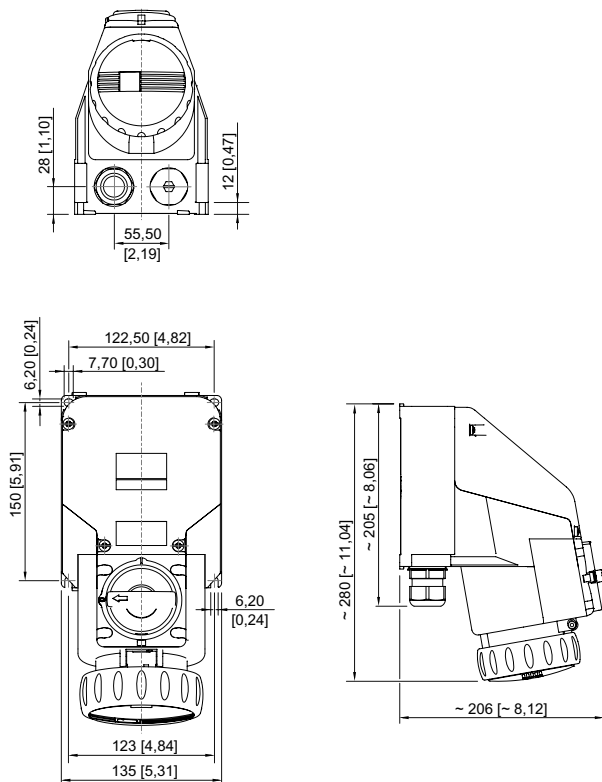
### Technical Drawings – Subject to Alterations



Position of clock hour position  
Example: 6 h position

7571/11-405 Art. No. 126462

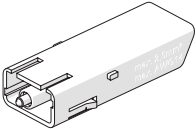
Dimensional Drawings (All Dimensions in mm [inches]) – Subject to Alterations



Wall-mounting socket

## Accessories

Auxiliary contact optional, pluggable by the user, easy to retrofit

	Art. No.
 <p>1 NC Max. 500 V AC, max. 110 V DC Max. 6 A 1 x 0.5 to 2 x 2.5 mm<sup>2</sup>, solid/finely stranded</p>	150680
<p>1 NC, gold-plated contact Max. 500 V AC, max. 110 V DC Max. 6 A 1 x 0.5 to 2 x 2.5 mm<sup>2</sup>, solid/finely stranded</p>	150684
<p>1 NO Max. 500 V AC, max. 110 V DC Max. 6 A 1 x 0.5 to 2 x 2.5 mm<sup>2</sup>, solid/finely stranded</p>	150682
<p>1 NO, gold-plated contact Max. 500 V AC, max. 110 V DC Max. 6 A 1 x 0.5 to 2 x 2.5 mm<sup>2</sup>, solid/finely stranded</p>	150686

We reserve the right to make alterations to the technical data, dimensions, weights, designs and products available without notice. The illustrations cannot be considered binding.