

8060/1-4-AR Art. No. 131311



- Interchangeable contact element with snap-action contact, slow-action contact or overlapping slow-action contact
- Various actuators possible, all of which can be repositioned by 4 x 90°
- Suitable for safety circuits in accordance with IEC/EN 60947-5-1, category 1 safety position switch, dimensions and characteristics in accordance with EN 50047

WebCode **8060A**



R. STAHL's 8060 series position switches are suitable for switching control and signal circuits and for safety circuits in accordance with EN 60947-5-1 in "increased safety" enclosures. The dimensions comply with EN 50041. They are able to switch different potentials, comprise an interchangeable Ex d contact element with positive-opening contacts, and are available with a variety of actuators.

Technical Data

Explosion Protection

Scope of validity	IECEX European Union (ATEX)
Application range (zones)	1 2 21 22
IECEX gas certificate	IECEX PTB 06.0091
IECEX gas explosion protection	Ex de IIC T6
IECEX dust certificate	IECEX PTB 06.0091
IECEX dust explosion protection	Ex tD A21 T80 °C
ATEX gas certificate	PTB 01 ATEX 1052
ATEX gas explosion protection	⊕ II 2 G Ex de IIC T6
ATEX dust certificate	PTB 01 ATEX 1052
ATEX dust explosion protection	⊕ II 2 D Ex tD A21 T80 °C

Electrical Data

DC rated operational voltage	250 V
AC operating voltage (equal potential)	500 V
AC operating voltage (unequal potential)	250 V
Electrical service life	10 ⁶ operating cycles
Mechanical service life	≥ 1 x 10 ⁶ operating cycles
Actuating time	0
Rated surge voltage	0 kV
Short-circuit protection, max.	10 A
Tripping characteristic	gG
Maximum operating frequency	6000 operating cycles/h

Ambient Conditions

Ambient temperature	-20 °C ... +50 °C
---------------------	-------------------

8060/1-4-AR Art. No. 131311

Mechanical Data

Degree of protection (IP)	IP65
Enclosure material	Polyamide, Glass fibre reinforced
Max. earth connection	0 mm ²
Contact material	Silver-nickel
Terminals	1 x 2.5 mm ² or 2 x 1 mm ²
Number of NCs	0
Number of NOs	2
Actuator	Roller lever
Clamping range	4 ... 13 mm
Type of connection cable	Solid Finely stranded
Contacts	2 NO
Enclosure colour	Black
Packaging unit	1
Weight	0.125 kg
Weight	0.28 lb

Components

Actuator 3	Roller (moulded material)
Cable glands and entries	1 x M20 x 1.5

Technical Drawings – Subject to Alterations

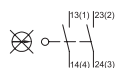


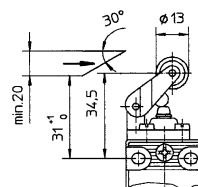
Diagram without positive opening 8060/1-4-...; 8070/1-4-...



Movement of the roller in stroke direction of the plunger after plunger starts moving.

Nominal contact travels or angles:

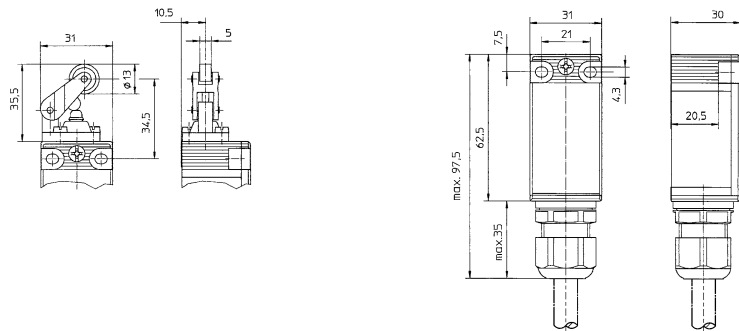
- = Contact closed
- = Contact open



Roller lever plunger, form E
V = 1.0 m/s

V = max. operating speed
→ = direction of operation

Dimensional Drawings (All Dimensions in mm [inches]) – Subject to Alterations

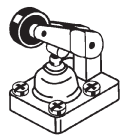


Accessories

Actuator

Art. No.

8060/1-4-AR Art. No. 131311



Roller lever plunger, form E 8060/1-0-AR

131257

Cable gland made of plastic

Art. No.



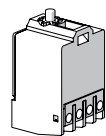
8161/7-M20-1304, Ex e
Plastic, M20 x 1.5, cable outer diameter 4 to 13 mm
Lot size 50 pieces

239156

Spare Parts

Contact element

Art. No.



2 NO slow-action contact 8080/1-4

132533

We reserve the right to make alterations to the technical data, dimensions, weights, designs and products available without notice. The illustrations cannot be considered binding.