

8146/1000-C958 Art. No. 136170



- Cable end boxes for terminals of 35–185 mm²
- Degree of protection IP66
- Rated operational current depending on enclosure version up to 400 A

MY R. STAHL 8146B



R. STAHL Series 8146 cable end boxes comprise robust glass fibre reinforced Ex e enclosures. They are equipped with 35–185 mm² terminals. These are suitable for voltages up to 690 V, the rated operational current is max. 400 A depending on the enclosure version. The incoming and outgoing leads are fed into the enclosures via cable glands.

Technical Data

Explosion Protection

Scope of validity	IECEX European Union (ATEX)
Application range (zones)	1 2 21 22
IECEX gas certificate	IECEX PTB 06.0046
IECEX gas explosion protection	Ex eb IIC T6 ... T4 Gb
IECEX dust certificate	IECEX PTB 06.0046
IECEX dust explosion protection	Ex tb IIIC T80 °C ... T130 °C Db
ATEX gas certificate	PTB 01 ATEX 1016
ATEX gas explosion protection	⊕ II 2 G Ex eb IIC T6 ... T4 Gb
ATEX dust certificate	PTB 01 ATEX 1016
ATEX dust explosion protection	⊕ II 2 D Ex tb IIIC T80 °C ... T130 °C Db
Certificates	ATEX (PTB), Canada / USA (UL), IECEX (PTB)

Electrical Data

Rated operational voltage AC	690 V
Current carrying capacity IEC	max. 125 A

Ambient Conditions

Ambient temperature	-30 °C ... +40 °C (T6) -30 °C ... +45 °C (T5) (T4)
Ambient temperature	-22°F ... +104°F (T6) -22°F ... +113°F (T5)

Mechanical Data

Degree of protection IP (IEC 60529)	IP66
Enclosure material	Polyester resin, Glass fibre reinforced
Enclosure colour	Dark grey

8146/1000-C958 Art. No. 136170

Mechanical Data

Flammability according to	IEC/EN 60695 UL 94 ASTM D635
Silicone-free	No
Connection cross-section	70 mm ²
Connection cross-section AWG	AWG 2/0
Cover thickness	2.8 mm
Cover thickness inch	0.11 in
Wall thickness	2.8 mm
Wall thickness, inches	0.11 in
Width	340.5 mm
Width, inches	13.406 in
Height	512 mm
Height, inches	20.158 in
Depth	150 mm
Depth, inches	5.906 in
Weight	9.5 kg
Weight	20.94 lb

Mounting / Installation

Tightening torque of cover screw 1	4.5 Nm
Tightening torque of cover screw 1 lbf in	39.83 lbf in

Components

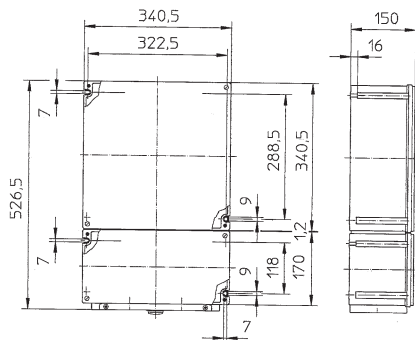
Flange and plates	Brass plate
Entry 1	2 x Threaded holes without cable entry M75
Terminal rail	35 x 301 mm (1x)
Terminal rail	1.38 x 11.85" (1x)
Type of terminals 1	6 x Weidmüller WDU 2-conductor, 95 mm ² , beige
Type of terminals PE 1	2 x Weidmüller WDU 2-conductor 95 mm ² beige

Technical Drawings – Subject to Alterations



8146/1000-C958 Art. No. 136170

Dimensional Drawings (All Dimensions in mm [inches]) – Subject to Alterations



We reserve the right to make alterations to the technical data, dimensions, weights, designs and products available without notice. The illustrations cannot be considered binding.