

# Integrated Solutions Low Voltage Systems



Heating circuit distrib.boards With residual current circuit breaker

With overcurrent release

8146/5-ExV-02-08H16B1N-T Art. No. 137146



- Standard versions with short delivery times, customer-specific options possible
- With miniature circuit breaker, tripping characteristic C
- With residual current circuit breaker with overcurrent release, tripping characteristic C
- Rated currents 10, 16, 20, 25 A

MY R. STAHL 8146D



R. STAHL Series 8146 lighting and heating panels are modular and are therefore available in a large number of standard variants which are available for rapid delivery. Customer-specific options are also possible. The circuit breakers are installed beneath a inspection window and can also be actuated from the outside, even under voltage. The switching position is visible at all times.

## Technical Data

### Explosion Protection

Application range (zones)	1 2 21 22
IECEX gas certificate	IECEX PTB 06.0090
IECEX gas explosion protection	Ex db eb IIC T4 Gb
IECEX dust certificate	IECEX PTB 06.0090
IECEX dust explosion protection	Ex tb IIIC T130 °C Db
ATEX gas certificate	PTB 01 ATEX 1024
ATEX gas explosion protection	Ex II 2 G Ex db eb IIC T4 Gb
ATEX dust certificate	PTB 01 ATEX 1024
ATEX dust explosion protection	Ex II 2 D Ex tb IIIC T130 °C Db
Certificates	ATEX (PTB), Canada (FM), China (NEPSI), IECEX (PTB), India (PESO), Korea (KGS), Taiwan (ITRI), USA (FM)
Declaration of Conformity	ATEX (EUK), China (CCC)
Explosion protection note	Product label may vary. Series devices have certification according to ATEX and IECEX.

### Electrical Data

Rated operational voltage AC	230 – 400 V
Rated operational current	48 A (T4)
Layout No.	02
Frequency range	50 – 60 Hz
Notes	depending on terminal types and explosion-protected components used

### Ambient Conditions

Ambient temperature	-20 °C ... +40 °C
---------------------	-------------------

### Mechanical Data

Degree of protection (IP)	IP66
Degree of protection (IP) (IEC 60529)	IP66

# Integrated Solutions Low Voltage Systems



Heating circuit distrib.boards With residual current circuit breaker

With overcurrent release

8146/5-ExV-02-08H16B1N-T Art. No. 137146

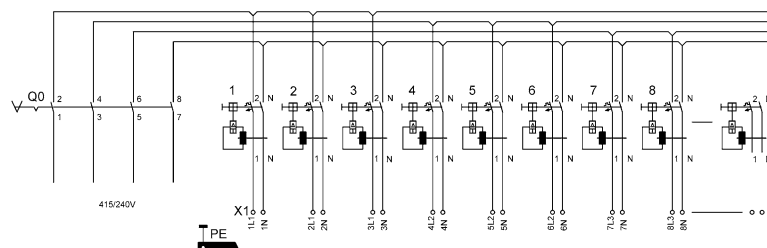
## Mechanical Data

Enclosure material	Polyester resin, Glass fibre reinforced
Enclosure colour	Grey
Flame retardant acc.	IEC/EN 60695, UL 94, ASTM D635
Max. finely stranded connection terminals	35 mm <sup>2</sup>
Width	681.5 mm
Height	681.5 mm
Depth	190 mm
Impact strength (IEC 60079)	7 J
Weight	37 kg
Weight	81.57 lb

## Components

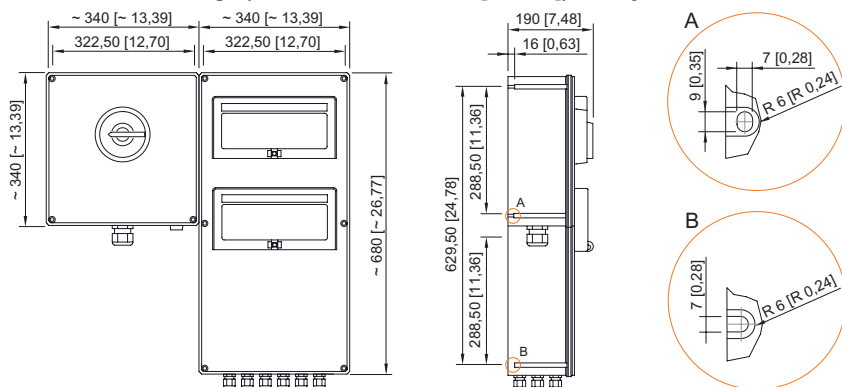
Locking device present	Yes
Built-in unit 2	8 x Residual current circuit breaker 1-pole 16 A+N/30 mA/B/6 kA
Entry 1	1 x 8161/7-M40-2812
Entry 2	8 x 8161/7-M25-1707
Entry 3	1 x 8161/7-M16-0902
Type of terminals PE 1	1 x Phoenix UT 2-conductor, 35 mm <sup>2</sup> , green-yellow
Earth rail	12 x 10 mm <sup>2</sup> (1x)

## Technical Drawings – Subject to Alterations



Circuit Diagram 8146/5-ExV-...1N-T

## Dimensional Drawings (All Dimensions in mm [inches]) – Subject to Alterations



Layout 02

We reserve the right to make alterations to the technical data, dimensions, weights, designs and products available without notice. The illustrations cannot be considered binding.