

8208/24-08-04k7 Art. No. 140713



- Flameproof encapsulated potentiometer
- Stepless adjustment of process parameters
- Four screw terminals with two clamping points each in increased safety (Ex e)
- Large clamping range for solid or stranded wires
- For installation in Ex e enclosures on serrated mounting rail

MY R. STAHL 8208B



The flameproof enclosed potentiometer in the universal housing 8208 is used for stepless adjustment of process parameters in hazardous areas. The compact device is designed for installation in enclosures with the type of protection increased safety (Ex e). It is mounted on a serrated mounting rail. Four Ex e screw terminals with two clamping points each are available for the electrical connection.

For operation we recommend the use of the potentiometer attachment 8602C3-092.

Technical Data

Explosion Protection

Application range (zones)	1 2
IECEX gas certificate	IECEX PTB 06.0032 U
IECEX gas explosion protection	Ex db eb IIC T6 Gb
ATEX gas certificate	PTB 01 ATEX 1066 U
ATEX gas explosion protection	Ex II 2 G Ex db eb IIC T6 Gb
CSA gas certificate	CSA 1773803
PESO gas certificate	P148651
PESO gas explosion protection	Ex db eb IIC T6 Gb
Inmetro gas certificate	ULBR140223U
Certificates	ATEX (PTB), Brazil (ULB), China (CQST), IECEX (PTB), SIL (exida)

Electrical Data

Rated operational voltage AC	500 V
Rated operational voltage DC	500 V
Rated operational voltage note	when switching instrumentation and control circuits: 8 to 30 V DC
Rated operational current note	when switching instrumentation and control circuits: 2 to 20 mA DC
Rated operational power	2 W
Maximum resistance R_{max}	4700 Ω

Ambient Conditions

Ambient temperature	-55 °C ... +60 °C
Note	see table „Max. power“

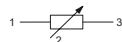
8208/24-08-04k7 Art. No. 140713

Max. power	Maximum internal heat distribution (Connection to 1.5 mm ² conductor cross-section and maximum 5 A)	
	Ambient temperature	Ambient temperature
	max. 40 °C	max. 60 °C
	T _{surface} = max. 80 °C	T _{surface} = max. 80 °C
	2.0 W	1.0 W

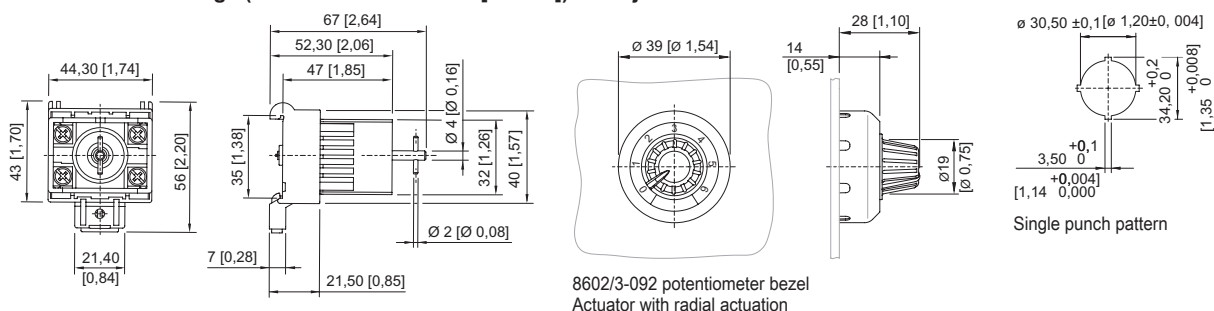
Mechanical Data

Version	with potentiometer
Enclosure material	Polyamide
Silicone-free	Yes
Connection cross-section	2.5 mm ²
Max. connection cross-section, finely stranded	2,5 mm ²
Solid connection cross section	1.5 – 2.5 mm ²
Finely stranded connection cross section	1.5 – 2.5 mm ²
Connection cross-section, finely stranded with core end sleeve	1.5 – 2.5 mm ²
Type of connection cable	Finely stranded Solid
Weight	90 g
Weight	0.2 lb
Note	The switching capacity of the line side fuse of the potentiometer must be equal or larger than the maximum short circuit current (max. 3xI _B acc. to IEC 60127-2-1).

Technical Drawings – Subject to Alterations



Dimensional Drawings (All Dimensions in mm [inches]) – Subject to Alterations



Accessories

Actuators

		Art. No.
	Designation plate: 0 to 6, 0 to 10, and 0 to 100 Seal: Standard	244640
	Designation plate: 0 to 6, 0 to 10, and 0 to 100 Seal: Silicone	244641

We reserve the right to make alterations to the technical data, dimensions, weights, designs and products available without notice. The illustrations cannot be considered binding.