

8208/24-08-010k Art. No. 140715



- Flameproof encapsulated potentiometer
- Stepless adjustment of process parameters
- Four screw terminals with two clamping points each in increased safety (Ex e)
- Large clamping range for solid or stranded wires
- For installation in Ex e enclosures on serrated mounting rail

MY R. STAHL 8208B



The flameproof enclosed potentiometer in the universal housing 8208 is used for stepless adjustment of process parameters in hazardous areas. The compact device is designed for installation in enclosures with the type of protection increased safety (Ex e). It is mounted on a serrated mounting rail. Four Ex e screw terminals with two clamping points each are available for the electrical connection.

For operation we recommend the use of the potentiometer attachment 8602C3-092.

## Technical Data

### Explosion Protection

|                                |  |
|--------------------------------|--|
| Application range (zones)      | 1<br>2   |
| IECEX gas certificate          | IECEX PTB 06.0032 U  |
| IECEX gas explosion protection | Ex db eb IIC T6 Gb   |
| ATEX gas certificate           | PTB 01 ATEX 1066 U   |
| ATEX gas explosion protection  | Ex II 2 G Ex db eb IIC T6 Gb                                     |
| CSA gas certificate            | CSA 1773803  |
| PESO gas certificate           | P148651  |
| PESO gas explosion protection  | Ex db eb IIC T6 Gb   |
| Inmetro gas certificate        | ULBR140223U  |
| Certificates                   | ATEX (PTB), Brazil (ULB), China (CQST), IECEX (PTB), SIL (exida) |

### Electrical Data

|                                |  |
|--------------------------------|--|
| Rated operational voltage AC   | 500 V  |
| Rated operational voltage DC   | 500 V  |
| Rated operational voltage note | when switching instrumentation and control circuits: 8 to 30 V DC  |
| Rated operational current note | when switching instrumentation and control circuits: 2 to 20 mA DC |
| Rated operational power        | 2 W  |
| Maximum resistance $R_{max}$   | 10000 $\Omega$   |

### Ambient Conditions

|                     |                        |
|---------------------|------------------------|
| Ambient temperature | -55 °C ... +60 °C      |
| Note                | see table „Max. power“ |

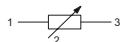
8208/24-08-010k Art. No. 140715

|            |  |                                   |
|------------|--|-----------------------------------|
| Max. power | <b>Maximum internal heat distribution</b><br>(Connection to 1.5 mm <sup>2</sup> conductor cross-section and maximum 5 A) |                                   |
|            | Ambient temperature  | Ambient temperature               |
|            | max. 40 °C   | max. 60 °C                        |
|            | T <sub>surface</sub> = max. 80 °C  | T <sub>surface</sub> = max. 80 °C |
|            | 2.0 W  | 1.0 W                             |

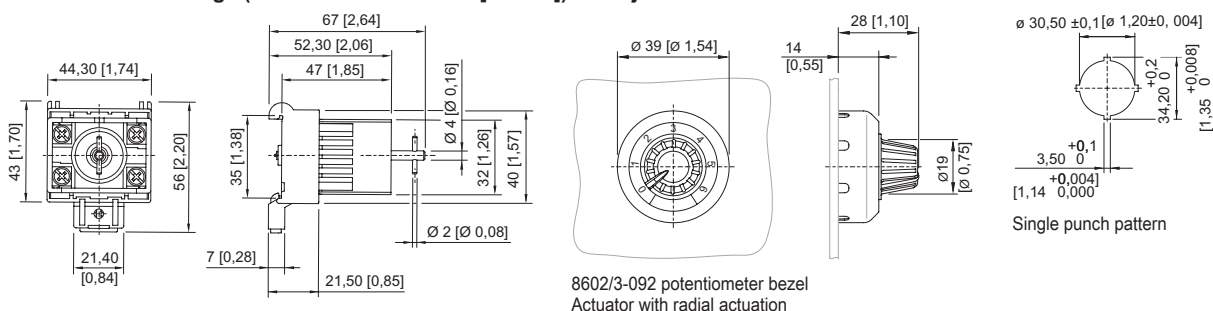
### Mechanical Data

|  |   |
|--|---|
| Version  | with potentiometer  |
| Enclosure material   | Polyamide   |
| Silicone-free  | Yes   |
| Connection cross-section                                       | 2.5 mm <sup>2</sup>   |
| Max. connection cross-section, finely stranded                 | 2,5 mm <sup>2</sup>   |
| Solid connection cross section                                 | 1.5 – 2.5 mm <sup>2</sup>   |
| Finely stranded connection cross section                       | 1.5 – 2.5 mm <sup>2</sup>   |
| Connection cross-section, finely stranded with core end sleeve | 1.5 – 2.5 mm <sup>2</sup>   |
| Type of connection cable                                       | Finely stranded<br>Solid  |
| Weight   | 90 g  |
| Weight   | 0.2 lb  |
| Note   | The switching capacity of the line side fuse of the potentiometer must be equal or larger than the maximum short circuit current (max. 3xI <sub>B</sub> acc. to IEC 60127-2-1). |

### Technical Drawings – Subject to Alterations



### Dimensional Drawings (All Dimensions in mm [inches]) – Subject to Alterations



## Accessories

### Actuators

|  |  | Art. No. |
|--|--|----------|
|  | Designation plate: 0 to 6, 0 to 10, and 0 to 100<br>Seal: Standard | 244640   |
|  | Designation plate: 0 to 6, 0 to 10, and 0 to 100<br>Seal: Silicone | 244641   |

We reserve the right to make alterations to the technical data, dimensions, weights, designs and products available without notice. The illustrations cannot be considered binding.