

Load Disconnect Switches and Motor Starters

Direct-on-line motor starter (DOL)



8220/5-SM-ES22kW400V-T Art. No. 142438



- Modular motor starters for all gas groups
- Control panels: Direct-On-Line Motor Starter DOL, YD, reversing contactor combinations
- Optional customer-specific equipping with main switches, main fuses and control devices

MY R. STAHL 8220A



R. STAHL Series 8220 standard motor starters are installed in Ex d enclosures and have an Ex e connection chamber enclosure. They are available in various control variants for rapid delivery. As an option, the control panels can be fitted with main switches, main fuses and control devices as per the customer's requirements.

Technical Data

Explosion Protection

| | |
|---------------------------------|--------------------------------|
| Application range (zones) | 1 2 21 22 |
| IECEX gas certificate | IECEX PTB 06.0069 |
| IECEX gas explosion protection | Ex db eb IIC T6 Gb |
| IECEX dust certificate | IECEX PTB 06.0069 |
| IECEX dust explosion protection | Ex tb IIIC T80 °C Db |
| ATEX gas certificate | PTB 02 ATEX 1109 |
| ATEX gas explosion protection | Ex II 2 G Ex db eb IIC T6 Gb |
| ATEX dust certificate | PTB 02 ATEX 1109 |
| ATEX dust explosion protection | Ex II 2 D Ex tb IIIC T80 °C Db |
| Declaration of Conformity | ATEX (EUK), China (CCC) |

Electrical Data

| | |
|------------------------------|-------|
| Rated operational voltage AC | 400 V |
|------------------------------|-------|

Ambient Conditions

| | |
|---------------------|-------------------|
| Ambient temperature | -20 °C ... +40 °C |
|---------------------|-------------------|

Mechanical Data

| | |
|---------------------------------------|--------------------------------|
| Degree of protection (IP) | IP54 |
| Degree of protection (IP) (IEC 60529) | IP65 |
| Enclosure material | Sheet steel, painted |
| Enclosure colour | Light grey (RAL 7035) |
| Dimensions (W x H x D) | 235,000 x 235,000 x 268,000 mm |
| Width | 235 mm |
| Height | 235 mm |
| Depth | 268 mm |
| Weight | 45 kg |

Load Disconnect Switches and Motor Starters

Direct-on-line motor starter (DOL)

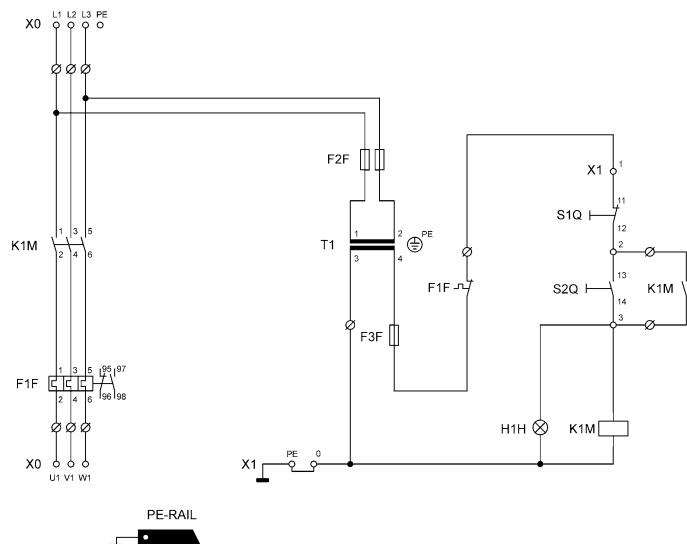


8220/5-SM-ES22kW400V-T Art. No. 142438

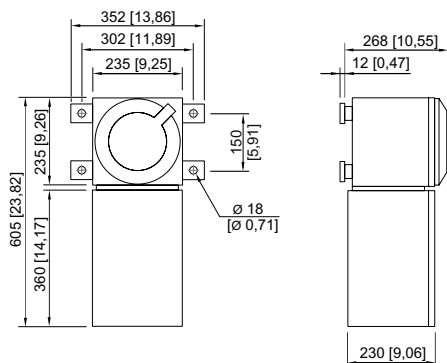
Mechanical Data

| | |
|--------|----------|
| Weight | 99.21 lb |
|--------|----------|

Technical Drawings – Subject to Alterations



Dimensional Drawings (All Dimensions in mm [inches]) – Subject to Alterations



8220/112

We reserve the right to make alterations to the technical data, dimensions, weights, designs and products available without notice. The illustrations cannot be considered binding.