

# Signalling devices



Audible signalling device Sounder  
In flameproof enclosure Increased safety  
8491/25-024 Art. No. 145281



- Horn: Directional/max. 105 dB(A)
- Type of protection: Ex e
- Class: IP55/65 (IEC 60529)
- Robust PC/ABS enclosure
- Stainless steel fixings and console sealing element included
- Signal horn Series 8491/1: With trumpet and connection line
- Signal horn Series 8491/2: Compact design with Ex e connection chamber

MY R. STAHL 8491A



The **8491 product series** is a range of audible signalling devices that provide alerts, warnings or signals in hazardous areas, made from a robust PC/ABS blend. Brackets are used for mounting. The **Series 8491/1 versions** have been developed for use in gas hazardous areas. They feature a trumpet for optimum sound bundling and a connection line. The **compact Series 8491/2 signal horns** have a connection chamber and can be used in gas and dust hazardous areas indoors and outdoors.

## Technical Data

### Explosion Protection

Scope of validity	IECEX European Union (ATEX)
Application range (zones)	1 2 21 22
ATEX gas certificate	BVS 03 ATEX E 159 X
ATEX gas explosion protection	⊕ II 2 G Ex eb mb IIC T5 Gb
ATEX dust certificate	BVS 03 ATEX E 159 X
ATEX dust explosion protection	⊕ II 2 D Ex tb IIIC T70 °C Db

### Electrical Data

Rated operational voltage DC	24 V
Back-up fuse	8560/51-4143

### Acoustic Data

Sound pressure level	max. 105 dB(A) @ 1 m
----------------------	----------------------

### Ambient Conditions

Ambient temperature	-40 °C ... +50 °C
---------------------	-------------------

### Mechanical Data

Degree of protection (IP) (IEC 60529)	IP65
Enclosure material	PC/ABS
Enclosure colour	Black
Max. solid connection terminals	2.5 mm <sup>2</sup>
Max. finely stranded connection terminals	2.5 mm <sup>2</sup>
Width	178 mm
Height	207 mm

# Signalling devices



Audible signalling device Sounder  
In flameproof enclosure Increased safety  
8491/25-024 Art. No. 145281

## Mechanical Data

Length	104 mm
Weight	1.5 kg
Weight	3.31 lb

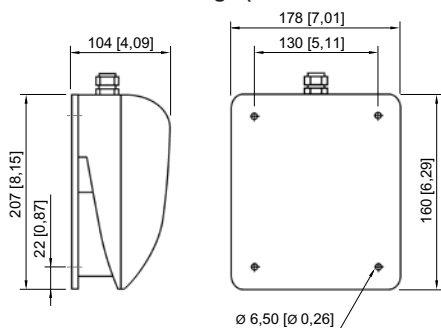
## Mounting / Installation

Connection type	Screw terminal
-----------------	----------------

## Components

Nominal fuse rating	500 mA
Drilled holes	1 x M16
Cable glands and entries	1 x M16 Ø 6.5 to 9.5 mm

## Dimensional Drawings (All Dimensions in mm [inches]) – Subject to Alterations



Signal horn, compact design with connection chamber

We reserve the right to make alterations to the technical data, dimensions, weights, designs and products available without notice. The illustrations cannot be considered binding.