

8561/01-02-... Art. No. 149239



- Easy to maintain due to use of standard NEOZED fuses
- Practical: Defective fuses are easy to see from the outside
- For rated operational voltages up to 400 V and rated operational currents up to 25 A

MY R. STAHL 8561A



R. STAHL Series 8561/01 fuse elements primarily protect the consumer outputs in Ex e distribution fuse boards. Since they are equipped with standard NEOZED system fuses, they are extremely easy to maintain and defective fuses are easy to see from the outside. They are designed for rated operational voltages up to 400 V and rated operational currents up to 25 A.

Technical Data

Explosion Protection

Application range (zones)	1 2
IECEX gas certificate	IECEX PTB 06.0063U
IECEX gas explosion protection	Ex de IIC
ATEX gas certificate	PTB 02 ATEX 1028 U
ATEX gas explosion protection	Ex II 2 G Ex de IIC
Certificates	ATEX (PTB), Brazil (ULB), IECEX (PTB)

Electrical Data

Rated operational voltage AC	400 V
Rated operational current	25 A

Ambient Conditions

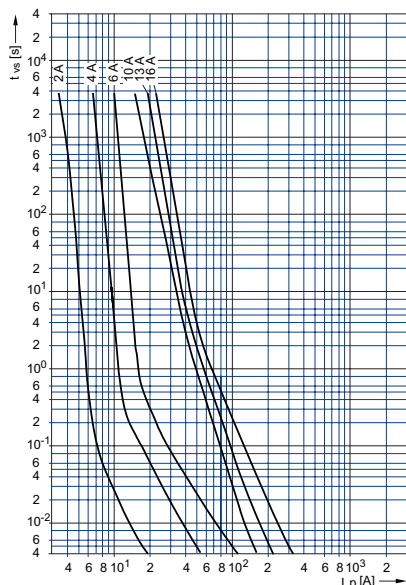
Ambient temperature	-20 °C ... +40 °C
---------------------	-------------------

Mechanical Data

Enclosure material	Epoxy resin
Fuse insert type	D02
Weight	800 g
Weight	1.76 lb

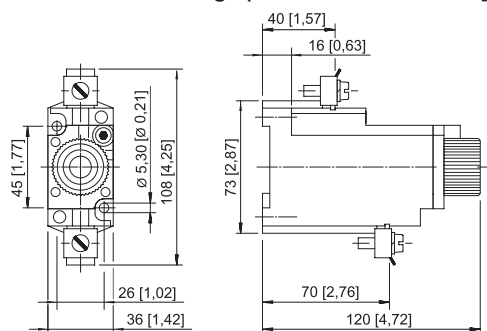
8561/01-02-... Art. No. 149239

Technical Drawings – Subject to Alterations



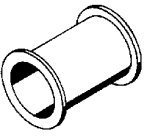
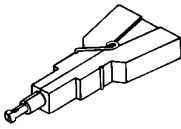
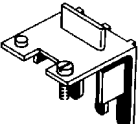
Current/time characteristic for fuses
(tolerance max. $\pm 10\%$)

Dimensional Drawings (All Dimensions in mm [inches]) – Subject to Alterations



8561/01 Fuse element

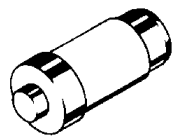
Spare Parts

Adaptor screw		Art. No.
	8561/01-02 20 A	111630
	8561/01-02 25 A	111635
Adaptor screw fitter		Art. No.
	for replacement of adaptor Neozed	149226
Cover for terminal connections		Art. No.
	IP10 cover	149225

8561/01-02-... Art. No. 149239

Fuse link

Art. No.



8561/01-02
20 A

111397

8561/01-02
25 A

111466

We reserve the right to make alterations to the technical data, dimensions, weights, designs and products available without notice. The illustrations cannot be considered binding.