

# Components for system solutions

## Residual current Circuit breaker

### Circuit breaker

8562/52-2100-250 Art. No. 149593

STAHL



- Modular component for residual current monitoring
- Can be used for pulsating direct currents and alternating currents
- Protection against contact voltages

MY R. STAHL 8562A



The R. STAHL Series 8562 residual current circuit breaker is a component for residual current monitoring and switches systems in the event of residual currents – for the reliable protection of persons in hazardous areas. It is suitable for pulsating direct currents and alternating currents and is designed for rated operational currents of 16, 25 or 40 A and rated residual currents of 10, 30, 100, 300 and 500 mA.

## Technical Data

### Explosion Protection

|                                |   |
|--------------------------------|---|
| Application range (zones)      | 1, 2  |
| IECEX gas certificate          | IECEX PTB 06.0062U                                  |
| IECEX gas explosion protection | Ex de IIC T5 Gb                                     |
| IECEX firedamp certificate     | IECEX PTB 06.0062U                                  |
| IECEX firedamp protection      | Ex de I Mb  |
| ATEX gas certificate           | PTB 02 ATEX 1049 U                                  |
| ATEX gas explosion protection  | Ex II 2 G Ex de IIC T5 Gb                           |
| ATEX firedamp certificate      | PTB 02 ATEX 1049 U                                  |
| ATEX firedamp protection       | Ex I M2 Ex de I Mb                                  |
| FMus certificate               | 3033692   |
| cFM certificate                | 3033692C  |
| cCSA certificate               | 1850696   |
| Certificates                   | ATEX (PTB), Brazil (ULB), China (CQST), IECEX (PTB) |

### Electrical Data

|                           |        |
|---------------------------|--------|
| Rated operational current | 25 A   |
| Type of voltage           | AC     |
| Rated residual current    | 0.03 A |
| No. of poles              | 2      |

### Ambient Conditions

|                     |                  |
|---------------------|------------------|
| Ambient temperature | -20 °C ... 60 °C |
|---------------------|------------------|

### Mechanical Data

|                           |             |
|---------------------------|-------------|
| Degree of protection (IP) | IP20        |
| Enclosure material        | Epoxy resin |
| Width                     | 54 mm       |
| Width, inches             | 2.126 in    |
| Length                    | 156 mm      |

# Components for system solutions

## Residual current Circuit breaker

### Circuit breaker

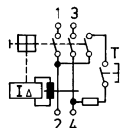
8562/52-2100-250 Art. No. 149593



#### Mechanical Data

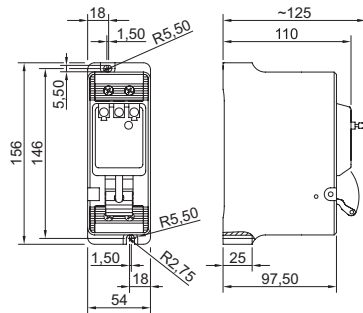
|                          |         |
|--------------------------|---------|
| Length in inches         | 6.14 in |
| Depth of cut-out         | 97.5 mm |
| Mounting depth in inches | 3.84 in |
| Weight                   | 1.2 kg  |
| Weight                   | 2.65 lb |

#### Technical Drawings – Subject to Alterations



2-pole

#### Dimensional Drawings (All Dimensions in mm [inches]) – Subject to Alterations



Residual current circuit breaker, 2-pole, 8562/52-...

We reserve the right to make alterations to the technical data, dimensions, weights, designs and products available without notice. The illustrations cannot be considered binding.