

8562/52-2040-160 Art. No. 149788



- Non-adjustable thermal and magnetic releases
- Isolating function in accordance with EN 60947-2
- Energy limiting class 3

MY R. STAHL 8562B



R. STAHL Series 8562 miniature circuit breakers boast good current limiting for short circuits and a high switching capacity of 6 or 10 kA. This results in a low load on conductors and a high selectivity for upstream fuses. The components have a modular design and are therefore available in 1- to 4-pole versions and for nominal currents from 0.5 to 40 A.

## Technical Data

### Explosion Protection

|                                |                                       |
|--------------------------------|---------------------------------------|
| Application range (zones)      | 1, 2                                  |
| IECEX gas explosion protection | Ex de IIC T5 Gb                       |
| IECEX firedamp protection      | Ex de I Mb                            |
| ATEX gas explosion protection  | Ex II 2 G Ex de IIC T5 Gb             |
| ATEX firedamp protection       | Ex I M2 Ex de I Mb                    |
| Certificates                   | ATEX (PTB), Brazil (ULB), IECEX (PTB) |

### Electrical Data

|                              |       |
|------------------------------|-------|
| Type of voltage              | AC/DC |
| AC rated operational voltage | 400 V |
| DC rated operational voltage | 110 V |
| Rated operational current    | 16 A  |
| Rated operational current    | 16 A  |
| Rated switching capacity     | 10 kA |
| No. of poles                 | 2     |
| N-pole present               | No    |
| Tripping characteristic      | C     |

### Ambient Conditions

|                     |                  |
|---------------------|------------------|
| Ambient temperature | -20 °C ... 60 °C |
|---------------------|------------------|

### Mechanical Data

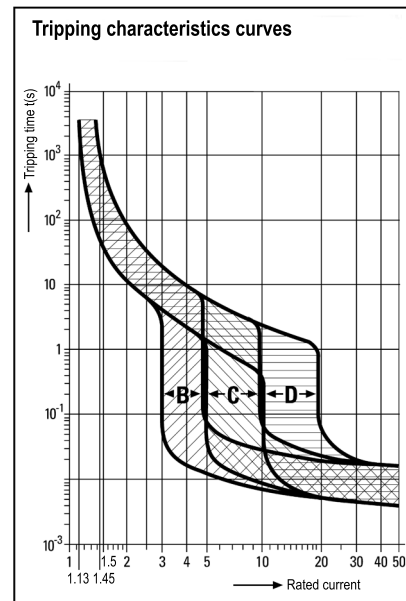
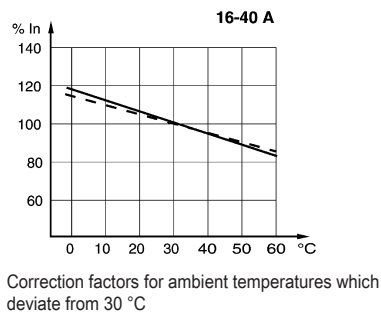
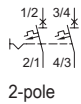
|                           |             |
|---------------------------|-------------|
| Degree of protection (IP) | IP20        |
| Enclosure material        | Epoxy resin |
| Width                     | 54 mm       |
| Width                     | 54 mm       |
| Width, inches             | 2.13 in     |
| Length                    | 156 mm      |
| Length in inches          | 6.14 in     |
| Mounting depth            | 117 mm      |

8562/52-2040-160 Art. No. 149788

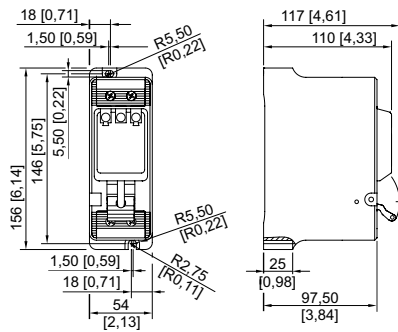
**Mechanical Data**

|                          |         |
|--------------------------|---------|
| Mounting depth in inches | 4.61 in |
| Weight                   | 1.2 kg  |
| Weight                   | 2.65 lb |

**Technical Drawings – Subject to Alterations**



**Dimensional Drawings (All Dimensions in mm [inches]) – Subject to Alterations**



8562/52

We reserve the right to make alterations to the technical data, dimensions, weights, designs and products available without notice. The illustrations cannot be considered binding.