

Components for system solutions

Residual current Miniature circuit breaker

Miniature circuit breaker

8562/52-5250-100 Art. No. 149815



- Residual current monitoring and tripping in the event of over-voltage
- Combination of residual current circuit breaker and miniature circuit breaker: Saves space, reduces installation requirements
- Good current limiting in the event of a short circuit

MY R. STAHL 8562C



The R. STAHL Series 8562 residual current circuit breaker with overcurrent release is a residual current circuit breaker and 2-pole switching miniature circuit breaker in one: It measures residual currents and triggers in the event of overvoltage, thereby protecting the conductors in your systems from overload, earth faults and short circuits. Its excellent current limiting feature reduces the load on the conductor in the event of a short circuit.

Technical Data

Explosion Protection

| | |
|--------------------------------|---|
| Application range (zones) | 1, 2 |
| IECEX gas explosion protection | Ex de IIC T6 Gb |
| IECEX firedamp protection | Ex de I Mb |
| ATEX gas explosion protection | Ⓔ II 2 G Ex de IIC T6 Gb |
| ATEX firedamp protection | Ⓔ I M2 Ex de I Mb |
| cCSA certificate | 1850696 |
| Certificates | ATEX (PTB), Brazil (ULB), China (CQST), IECEX (PTB) |

Electrical Data

| | |
|------------------------------|---------------|
| Type of voltage | AC |
| AC rated operational voltage | 127 ... 230 V |
| Rated operational current | 10 A |
| Rated operational current | 10 A (T6) |
| Rated switching capacity | 10 kA |
| Rated residual current | 0.03 A |
| No. of poles | 2 |
| N-pole present | Yes |
| Tripping characteristic | B |

Mechanical Data

| | |
|---------------------------|-------------|
| Degree of protection (IP) | IP20 |
| Enclosure material | Epoxy resin |
| Width | 54 mm |
| Width | 54 mm |
| Width, inches | 2.13 in |
| Length | 156 mm |
| Length in inches | 6.14 in |
| Mounting depth | 125 mm |

Components for system solutions

Residual current Miniature circuit breaker

Miniature circuit breaker

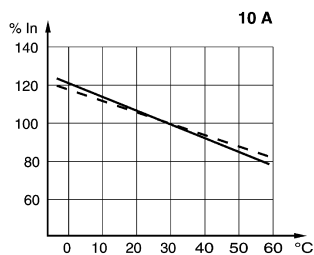
8562/52-5250-100 Art. No. 149815



Mechanical Data

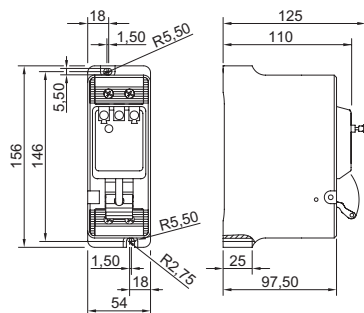
| | |
|--------------------------|---------|
| Mounting depth in inches | 4.92 in |
| Weight | 1.2 kg |
| Weight | 2.65 lb |

Technical Drawings – Subject to Alterations



Correction factors for ambient temperatures which deviate from 30 °C

Dimensional Drawings (All Dimensions in mm [inches]) – Subject to Alterations



8562/52-..., 1-pole + N

We reserve the right to make alterations to the technical data, dimensions, weights, designs and products available without notice. The illustrations cannot be considered binding.