

# Installation Equipment

## Wall-mounting socket 16 A



8570/11-305 Art. No. 150582



- Optional: Pluggable, easily retrofittable Ex e or Ex i auxiliary contacts for control and signalling purposes
- Motor switching capacity AC-3 as per IEC/EN 60947-3
- Variants for use in the USA/Canada available on request
- Wide temperature range for use
- High mechanical impact and shock resistance
- Perfect protection against the ingress of liquids and dust
- 3D data available to download from the website

WebCode **8570A**



R. STAHL Series 8570/11 SolConeX sockets for Zone 1/21 in a 3-, 4- and 5-pole version have full AC-3 switching capacity up to 16 A. The high degree of protection IP66 guarantees the highest level of protection against the penetration of dust and water in any application position. Self-cleaning lamellar contacts provide optimum contact and the plugs can be inserted and removed in the zero position quickly and easily. The load disconnect switch, with mechanical locking device and a handle that can be locked in the 0 or I position, is an additional safety feature.

### Technical Data

| Explosion Protection             |  |
|----------------------------------|--|
| Scope of validity                | European Union (ATEX)<br>IECEX   |
| Application range (zones)        | 1<br>2<br>21<br>22   |
| IECEX gas certificate            | IECEX PTB 05.0023  |
| IECEX gas explosion protection   | Ex db eb IIC T6 Gb   |
| IECEX dust certificate           | IECEX PTB 05.0023  |
| IECEX dust explosion protection  | Ex tb IIIC T80 °C Db   |
| ATEX gas certificate             | PTB 03 ATEX 1227   |
| ATEX gas explosion protection    | ⊕ II 2 G Ex db eb IIC T6 Gb  |
| ATEX dust certificate            | PTB 03 ATEX 1227   |
| ATEX dust explosion protection   | ⊕ II 2 D Ex tb IIIC T80 °C Db  |
| Certificates                     | ATEX (PTB), IECEX (PTB), Korea (KGS), Taiwan (ITRI)                                    |
| Explosion protection note        | Product label may vary. Series devices have certification according to ATEX and IECEX. |
| Electrical Data                  |  |
| Rated operational voltage        | 277 V AC   |
| Rated operational current        | 16 A   |
| Rated operational current note   | Optional up to 20 A  |
| Electrical service life          | > 5x10 <sup>3</sup> switching cycles   |
| Mechanical service life          | > 5x10 <sup>3</sup> switching cycles   |
| Type of voltage                  | Low voltage  |
| Switching capacity main contacts | 4 kW: 220 / 230 / 240 V<br>7.5 kW: 380 / 400 / 415 / 500 V<br>11 kW: 600 / 690 V       |

# Installation Equipment

## Wall-mounting socket 16 A



8570/11-305 Art. No. 150582

### Electrical Data

|                 |       |
|-----------------|-------|
| Frequency range | 60 Hz |
|-----------------|-------|

### Device Specific Data

|   |         |
|---|---------|
| Back-up fuse with thermal protection    | 35 A gG |
| Back-up fuse without thermal protection | 16 A gG |

### Ambient Conditions

|                     |                               |
|---------------------|-------------------------------|
| Ambient temperature | -30 °C ... +55 °C (T6, 16 A)  |
| Ambient temperature | -22 °F ... +131 °F (T6, 16 A) |

### Mechanical Data

|  |  |
|--|--|
| IP degree of protection (IEC 60529)          | IP66   |
| IP degree of protection (IEC 60079)          | IP66   |
| Enclosure material                           | Polyamide, Glass fibre reinforced  |
| Silicone-free                                | Yes  |
| Solid connection cross-section               | 1 x 1.5 mm <sup>2</sup> ... 2 x 6 mm <sup>2</sup>                                      |
| Connection cross-section AWG single stranded | 1 x AWG 16 ... 2 x AWG 10  |
| Finely stranded connection cross-section     | 1 x 1.5 mm <sup>2</sup> ... 2 x 4 mm <sup>2</sup>                                      |
| Finely stranded connection cross-section AWG | 1 x AWG 16 ... 2 x AWG 12  |
| Width  | 105 mm   |
| Width in inches                              | 4.13 in  |
| Height                                       | 167 mm   |
| Height, inches                               | 6.59 in  |
| Length                                       | 231 mm   |
| Length, inches                               | 9.11 in  |
| Impact strength (IEC 60079)                  | 7 J  |
| Impact strength (IEC 62262)                  | IK10   |
| Colour code                                  | Light grey   |
| Coding (clock hour position)                 | 5  |
| Lockable in                                  | in 0- and I-position   |
| Interlock                                    | 2-pole switch (1 P + N)<br>2 optional auxiliary contacts (ON – delayed, OFF – leading) |
| Series                                       | SolConeX   |
| Detailed number of poles                     | 1 P + N + PE   |
| Weight                                       | 1.12 kg  |
| Weight                                       | 2.47 lb  |

### Mounting / Installation

|            |                |
|------------|----------------|
| Connection | Screw terminal |
|------------|----------------|

### Components

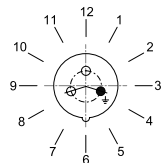
|                              |   |
|------------------------------|---|
| Cable entry note             | Entry 1: Lower left<br>Entry 2: Lower right |
| Entry 1 model                | 8161/7-M25-1707                             |
| Entry 1 type                 | Polyamide cable gland                       |
| Entry 1                      | M25 x 1.5                                   |
| Entry 1 terminal area        | 7 – 17 mm                                   |
| Entry 1 clamping range, inch | 0.28 – 0.67 in                              |

8570/11-305 Art. No. 150582

### Components

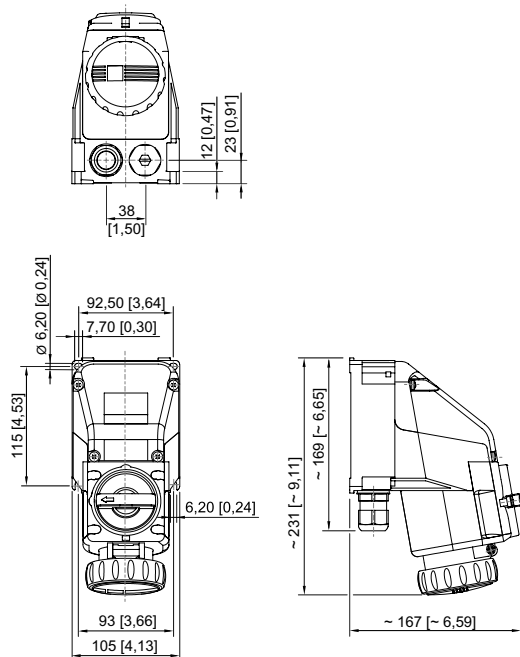
|                        |                         |
|------------------------|-------------------------|
| Metal entry possible 1 | No                      |
| Entry 2 model          | 8290/3-M25              |
| Entry 2 type           | Polyamide stopping plug |
| Entry 2                | M25 x 1.5               |
| Metal entry possible 2 | No                      |

### Technical Drawings – Subject to Alterations



Position of clock hour position  
Example: 6 h position

### Dimensional Drawings (All Dimensions in mm [inches]) – Subject to Alterations



3-pole wall-mounting socket

### Accessories

Auxiliary contact optional, can be connected by the user, easy to retrofit

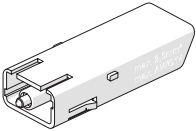
Art. No.

# Installation Equipment

## Wall-mounting socket 16 A

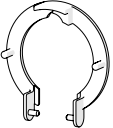


8570/11-305 Art. No. 150582

|  |   |        |
|--|---|--------|
|  | 1 NC<br>max. 500 V AC, max. 110 V DC<br>max. 6 A<br>1 x 0.5 to 2 x 2.5 mm <sup>2</sup> solid/finely stranded                      | 150680 |
|  | 1 NC, gold-plated contact<br>max. 500 V AC, max. 110 V DC<br>max. 6 A<br>1 x 0.5 to 2 x 2.5 mm <sup>2</sup> solid/finely stranded | 150684 |
|  | 1 NO<br>max. 500 V AC, max. 110 V DC<br>max. 6 A<br>1 x 0.5 to 2 x 2.5 mm <sup>2</sup> solid/finely stranded                      | 150682 |
|  | 1 NO, gold-plated contact<br>max. 500 V AC, max. 110 V DC<br>max. 6 A<br>1 x 0.5 to 2 x 2.5 mm <sup>2</sup> solid/finely stranded | 150686 |

### Dust cover for 16 A sockets, series 8570

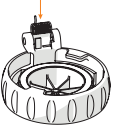
Art. No.

|   |  |        |
|---|--|--------|
|  | Retrofittable dust protection for 3-pole sockets | 253118 |
|---|--|--------|

### Spare Parts

#### Repair set for 8570 series 16 A sockets

Art. No.

|  |   |        |
|--|---|--------|
|  | 8570 3-pole hinged cover repair set, light grey | 274121 |
|--|---|--------|

We reserve the right to make alterations to the technical data, dimensions, weights, designs and products available without notice. The illustrations cannot be considered binding.