

Installation Equipment

Wall-mounting socket 20 A



8570/21-307 Art. No. 150634



- Degree of protection IP66, extreme temperature range of -30 to +55 °C, usable worldwide
- Optional Ex e or Ex i auxiliary contacts for control and signaling purposes, further optional equipment
- With AC-3 motor switching capacity according to IEC/EN 60947-3

WebCode **8570F**



R. STAHL Series 8570/21 SolConeX sockets for Zone 1/21 in a 3-,4- and 5-pole version have full AC-3 switching capacity up to 20 A. The high degree of protection IP66 guarantees the highest level of protection against the penetration of dust and/or water in any application position. Self-cleaning lamellar contacts provide optimum contact and the plugs can be inserted and removed in the zero position quickly and easily. The load disconnect switch, with mechanical locking device and a handle that can be locked in the 0 or I position, is an additional safety feature.

Technical Data

Explosion Protection

Scope of validity	European Union (ATEX) Canada IECEX USA
Application range (zones)	1 2 21 22
IECEX gas certificate	IECEX PTB 05.0023
IECEX gas explosion protection	Ex db eb IIC T6 Gb
IECEX dust certificate	IECEX PTB 05.0023
IECEX dust explosion protection	Ex tb IIIC T80 °C Db
ATEX gas certificate	PTB 03 ATEX 1227
ATEX gas explosion protection	⊕ II 2 G Ex db eb IIC T6 Gb
ATEX dust certificate	PTB 03 ATEX 1227
ATEX dust explosion protection	⊕ II 2 D Ex tb IIIC T80 °C Db
FMus certificate	0R6A2.AX
Marking FMus	Class I, Div. 2, Groups A,B,C,D; Class II, III, Div. 1, Groups E,F,G; Enclosure Type 3, 4, 4X Class I, Zone 1, AEx d e IIC T6
Certificate cCSA	LR 99480
Certificates	ATEX (PTB), IECEX (PTB), USA (FM)

Electrical Data

Rated operational voltage	480 V AC
Rated operational current	20 A
Electrical service life	> 5x10 ³ switching cycles

Installation Equipment

Wall-mounting socket 20 A



8570/21-307 Art. No. 150634

Electrical Data

Mechanical service life	> 5x10 ³ switching cycles
Type of voltage	Low voltage
Frequency range	50 / 60 Hz

Device Specific Data

Back-up fuse with thermal protection	35 A gG
Back-up fuse without thermal protection	20 A gG

Ambient Conditions

Ambient temperature	-30 °C ... +55 °C (T6, 20 A)
Ambient temperature	-22 °F ... +131 °F (20 A)

Mechanical Data

IP degree of protection (IEC 60529)	IP66
IP degree of protection (IEC 60079)	IP66
Enclosure type (NEMA250)	3, 4, 4X
Enclosure material	Polyamide, Glass fibre reinforced
Silicone-free	No
Solid connection cross-section	1 x 1.5 mm ² ... 2 x 6 mm ²
Connection cross-section AWG single stranded	1 x AWG 16 ... 2 x AWG 10
Finely stranded connection cross-section	1 x 1.5 mm ² ... 2 x 4 mm ²
Finely stranded connection cross-section AWG	1 x AWG 16 ... 2 x AWG 12
Width	105 mm
Width in inches	4.13 in
Height	167 mm
Height, inches	6.59 in
Length	231 mm
Length, inches	9.11 in
Impact strength (IEC 60079)	7 J
Impact strength (IEC 62262)	IK10
Colour code	Red
Coding (clock hour position)	7
Lockable in	in 0- and I-position
Series	SolConeX
Detailed number of poles	2-pole, 3 conductors
Weight	0.5 kg
Weight	1.1 lb

Mounting / Installation

Connection	Screw terminal
------------	----------------

Components

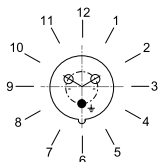
Entry 1 model	8166/11-02-N
Entry 1 type	Metal conduit hub
Entry 1	NPT 3/4"
Metal entry possible 1	Yes
Entry 2 model	8290/3-M25
Entry 2 type	Polyamide stopping plug

8570/21-307 Art. No. 150634

Components

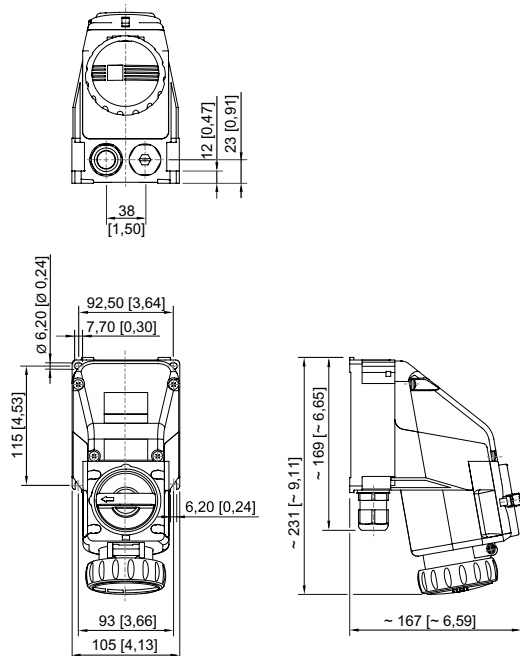
Entry 2	M25 x 1.5
Metal entry possible 2	No

Technical Drawings – Subject to Alterations



Position of clock hour position
Example: 6 h position

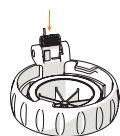
Dimensional Drawings (All Dimensions in mm [inches]) – Subject to Alterations



3-pole wall-mounting socket

Spare Parts

Repair set for sockets series 8570



8570 3-pole hinged cover repair set, black

Art. No.

274119

We reserve the right to make alterations to the technical data, dimensions, weights, designs and products available without notice. The illustrations cannot be considered binding.