

Installation Equipment

Maintenance socket 16 A No mechanical locking device

With indicator lamp

8570/51-306 Art. No. 150643



- The 16 A repair sockets of the 8570 series are used to carry out maintenance and repair work in potentially explosive atmospheres in which non-explosion-proof devices are used
- Padlockable switch to protect against unauthorised use
- With "Do not switch on if explosion hazard exists" warning sign

WebCode 8570C



R. STAHL Series 8570/51 repair sockets are used for repair work with non-Ex devices (according to IEC/EN 60309) in Zones 1, 2, 21 and 22. They offer full AC-3 switching capacity up to 16 A and can switch motors/pumps, etc. directly. The indicator lamps displaying the operating status and the large handle, which can be locked in the zero position to protect against unauthorised use, provide added safety.

Technical Data

Explosion Protection

Scope of validity	European Union (ATEX)
Application range (zones)	1 2 21 22
ATEX gas certificate	PTB 06 ATEX 1008 X
ATEX gas explosion protection	⊕ II 2 G Ex db eb IIC T6 Gb
ATEX dust certificate	PTB 06 ATEX 1008 X
ATEX dust explosion protection	⊕ II 2 D Ex tb IIIC T80 °C Db
Certificates	ATEX (PTB)

Electrical Data

Rated operational voltage	200 to 250 V AC
Electrical service life	> 5x10 ³ switching cycles
Mechanical service life	> 5x10 ³ switching cycles
Type of voltage	Low voltage
Frequency range	50 / 60 Hz

Device Specific Data

Back-up fuse with thermal protection	35 A gG
Back-up fuse without thermal protection	16 A gG

Ambient Conditions

Ambient temperature	-30 °C ... +55 °C
Ambient temperature	-22 °F ... +131 °F (T80 °C) (T80 °C)

Mechanical Data

IP degree of protection (IEC 60529)	IP66
IP degree of protection (IEC 60079)	IP66
Enclosure material	Polyamide, Glass fibre reinforced

Installation Equipment

Maintenance socket 16 A No mechanical locking device

With indicator lamp

8570/51-306 Art. No. 150643



Mechanical Data

Silicone-free	Yes
Solid connection cross-section	1 x 1.5 mm ² ... 2 x 6 mm ²
Connection cross-section AWG single stranded	1 x AWG 16 ... 2 x AWG 10
Finely stranded connection cross-section	1 x 1.5 mm ² ... 2 x 4 mm ²
Finely stranded connection cross-section AWG	1 x AWG 16 ... 2 x AWG 12
Width	105 mm
Width in inches	4.13 in
Height	168 mm
Height, inches	6.61 in
Length	232 mm
Length, inches	9.13 in
Impact strength (IEC 60079)	7 J
Impact strength (IEC 62262)	IK10
Colour code	Blue
Coding (clock hour position)	6
Lockable in	in 0- and I-position
Series	SolConeX
Detailed number of poles	2 P + PE
Weight	2 kg
Weight	4.41 lb

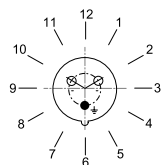
Mounting / Installation

Connection	Screw terminal
------------	----------------

Components

Entry 1 model	8161/7-M25-1707
Entry 1 type	Polyamide cable gland
Entry 1	M25 x 1.5
Entry 1 terminal area	7 – 17 mm
Entry 1 clamping range, inch	0.28 – 0.67 in
Metal entry possible 1	No
Entry 2 model	8290/3-M25
Entry 2 type	Polyamide stopping plug
Entry 2	M25 x 1.5
Metal entry possible 2	No

Technical Drawings – Subject to Alterations



Position of clock hour position
Example: 6 h position

Installation Equipment

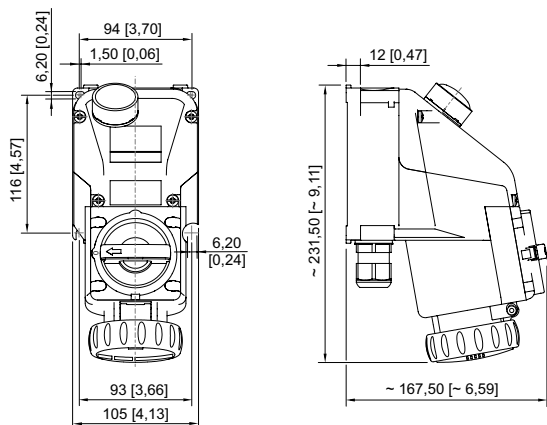
Maintenance socket 16 A No mechanical locking device

With indicator lamp

8570/51-306 Art. No. 150643



Dimensional Drawings (All Dimensions in mm [inches]) – Subject to Alterations



Maintenance socket 3-pole

We reserve the right to make alterations to the technical data, dimensions, weights, designs and products available without notice. The illustrations cannot be considered binding.