

Installation Equipment

Wall-mounting socket 30 A



8571/21-409 Art. No. 150933



- Degree of protection IP66, extreme temperature range of -30 to +55 °C, usable worldwide
- Optional Ex e or Ex i auxiliary contacts for control and signaling purposes, further optional equipment
- With AC-3 motor switching capacity according to IEC/EN 60947-3

WebCode **8571G**



R. STAHL Series 8571/21 SolConeX sockets for Zone 1/21 in a 3-,4- and 5-pole version have full AC-3 switching capacity up to 30 A. The high degree of protection IP66 guarantees the highest level of protection against the penetration of dust and/or water in any application position. Self-cleaning lamellar contacts provide optimum contact and the plugs can be inserted and removed in the zero position quickly and easily. The load disconnect switch, with mechanical locking device and a handle that can be locked in the 0 or I position, is an additional safety feature.

Technical Data

Explosion Protection

Scope of validity	European Union (ATEX) Canada IECEX USA
Application range (zones)	1 2 21 22
IECEX gas certificate	IECEX PTB 05.0024
IECEX gas explosion protection	Ex db eb IIC T6 ... T5 Gb
IECEX dust certificate	IECEX PTB 05.0024
IECEX dust explosion protection	Ex tb IIIC T60 °C / T75 °C Db
ATEX gas certificate	PTB 04 ATEX 1060
ATEX gas explosion protection	⊕ II 2 G Ex db eb IIC T6 ... T5 Gb
ATEX dust certificate	PTB 04 ATEX 1060
ATEX dust explosion protection	⊕ II 2 D Ex tb IIIC T60 °C / T75 °C Db
FMus certificate	0R6A2.AX
Marking FMus	Class I, Div. 2, Groups A,B,C,D; Class II, III, Div. 1, Groups E,F,G; Enclosure Type 3, 4, 4X Class I, Zone 1, AEx d e IIC T6 ... T5
Marking cFM	Enclosure Type 3, 4, 4X
Certificate cCSA	LR 99480
Certificates	IECEX (PTB), USA (FM)

Electrical Data

Rated operational voltage	250 V AC
---------------------------	----------

Installation Equipment

Wall-mounting socket 30 A



8571/21-409 Art. No. 150933

Electrical Data

Rated operational current	30 A
Electrical service life	> 2x10 ³ switching cycles
Mechanical service life	> 2x10 ³ switching cycles
Type of voltage	Low voltage
Frequency range	50 / 60 Hz

Device Specific Data

Back-up fuse with thermal protection	63 A gG
Back-up fuse without thermal protection	35 A gG

Ambient Conditions

Ambient temperature	-30 °C ... +40 °C (T6, 30 A) -30 °C ... +55 °C (T6, 30 A / T5, 30 A)
Ambient temperature	-22 °F ... +104 °F (30 A) -22 °F ... +131 °F (30 A)

Mechanical Data

IP degree of protection (IEC 60529)	IP66
IP degree of protection (IEC 60079)	IP66
Enclosure type (NEMA250)	3, 4, 4X
Enclosure material	Polyamide, Glass fibre reinforced
Silicone-free	No
Solid connection cross-section	1 x 2.5 mm ² ... 2 x 10 mm ²
Connection cross-section AWG single stranded	1 x AWG 14 ... 2 x AWG 8
Finely stranded connection cross-section	1 x 2.5 mm ² ... 2 x 6 mm ²
Finely stranded connection cross-section AWG	1 x AWG 14 ... 2 x AWG 10
Width	135 mm
Width in inches	5.31 in
Height	206 mm
Height, inches	8.12 in
Length	280 mm
Length, inches	11.04 in
Impact strength (IEC 60079)	7 J
Impact strength (IEC 62262)	IK10
Colour code	Blue
Coding (clock hour position)	9
Lockable in	in 0- and I-position
Series	SolConeX
Detailed number of poles	3-pole, 4 conductors
Weight	2.2 kg
Weight	4.85 lb

Mounting / Installation

Connection	Screw terminal
------------	----------------

Components

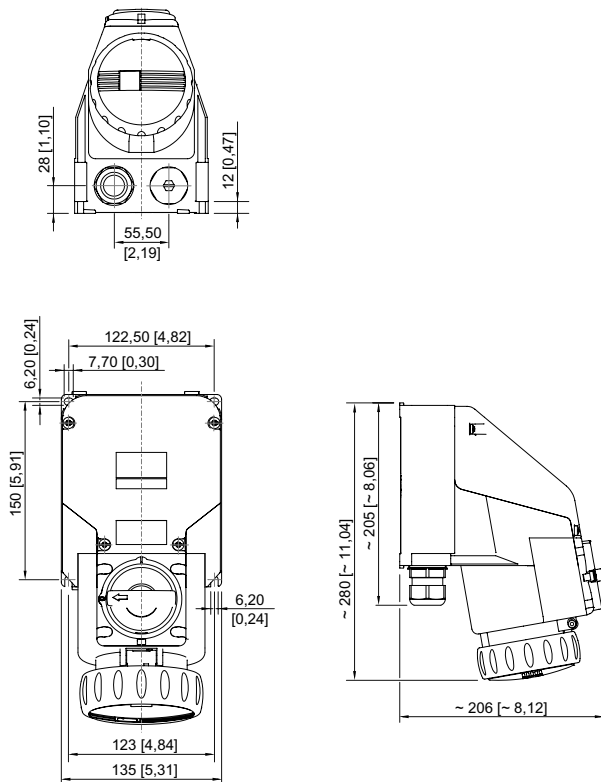
Entry 1 model	8166/11-03-N
Entry 1 type	Metal conduit hub

8571/21-409 Art. No. 150933

Components

Entry 1	NPT 1"
Metal entry possible 1	Yes
Entry 2 model	Can be ordered as accessories
Entry 2 type	Polyamide stopping plug
Entry 2	NPT 1"
Metal entry possible 2	Yes

Dimensional Drawings (All Dimensions in mm [inches]) – Subject to Alterations



Wall-mounting socket

We reserve the right to make alterations to the technical data, dimensions, weights, designs and products available without notice. The illustrations cannot be considered binding.