

TRANBERG Solutions
 Commander fused dimmer module
 with current detection
 TEF4900940 Art. No. 170558



- DIN rail mounting.
- 2-pole switching. Both poles fused.
- 3-terminal triac dimmer independently of load current.
- Built-in current detection to determine if output circuits are OK or not.
- Lamp circuits galvanic isolated from control circuit
- Local emergency switches for control of outputs.
- Connections for main and emergency supply to output circuits.
- Built-in snubber network which allows termination of a wide range of communication cable, 100-250 Ohm characteristic impedance. End resistors shall not be used.
- Current detection can be disabled on any circuit if a particular system does not require this feature.
- The module may also be set locally to manually adjust the output voltage.

MY R. STAHL T4900H



Designed for switching and dimming of signal lights. Status of light is monitored by a built-in current detector. Delivered for 115/230V lamps.

Technical Data

Electrical Data	
DC rated operational voltage	18 ... 32 V
DC supply voltage	24 V
Power consumption	max. 0.2 A/24 V DC
Number of RS-485 interfaces	2
Note on supply voltage	110 ... 240 V 50/60 Hz ±10%
Auxiliary Power	
Auxiliary pwr nom. voltage DC	24 V
Output	
Max. output current	2 A
Note on behaviour of output	Fuses in module
Diagnostics	
Communication	RS-485
Ambient Conditions	
Ambient temperature	5 – 70 °C
Mechanical Data	
Degree of protection (IP)	IP20
Number of buttons	0
Weight	800 g

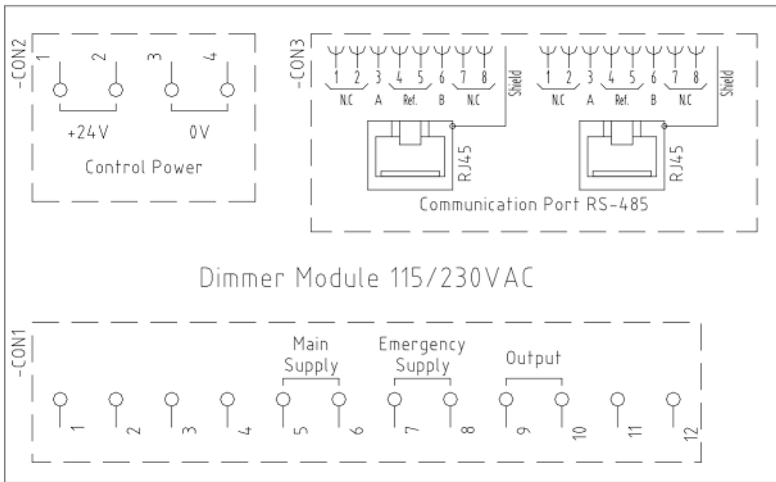
TRANBERG Solutions

Commander fused dimmer module with current detection

TEF4900940 Art. No. 170558

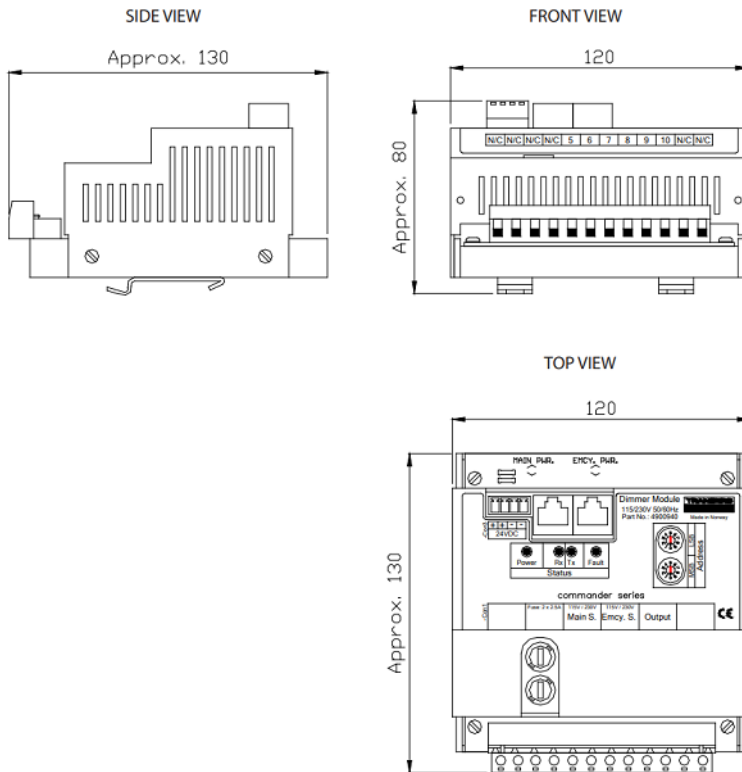


Technical Drawings – Subject to Alterations



000A102713_Rev A

Dimensional Drawings (All Dimensions in mm [inches]) – Subject to Alterations



We reserve the right to make alterations to the technical data, dimensions, weights, designs and products available without notice. The illustrations cannot be considered binding.