



- Rugged construction
- Complies with: ICAO Annex 14 Vol. 1 Ch. 6 Low Intensity Type B
- Low maintenance
- Low power consumption
- Resistant to vibrations
- Long lifetime expectancy
- Integrated drain plug

MY R. STAHL T2440B

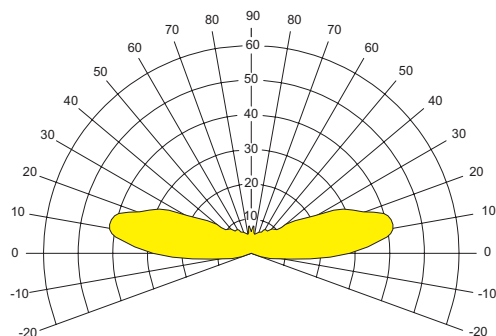
Tranberg luminaires are all designed for use in rough environments. The design of Tranberg luminaires is based on many years of experience and extensive research in the field of professional marine lighting. Carefully selected materials and components are used to ensure maximum performance, low maintenance and a long-trouble free life. The luminaire consist of five powerful light emitting diodes (LEDs), mounted on a machined aluminium base. The LED driver is placed in the lamp bottom along with terminals.

Technical Data

Explosion Protection	
Installation	only safe area
Electrical Data	
Rated operational voltage AC	110 – 230 V
Power	10 W
Lighting Data	
Effective luminous intensity	32 cd
Ambient Conditions	
Ambient temperature	-30 °C ... +45 °C
Mechanical Data	
Degree of protection (IP)	IP66
Enclosure material	Stainless steel, powder-coated, Acid-resistant
Weight	-
Components	
Drilled holes	2 x M25
Cable glands and entries	1 x M25 x 1.5
Stopping plugs	1 x M25 x 1.5

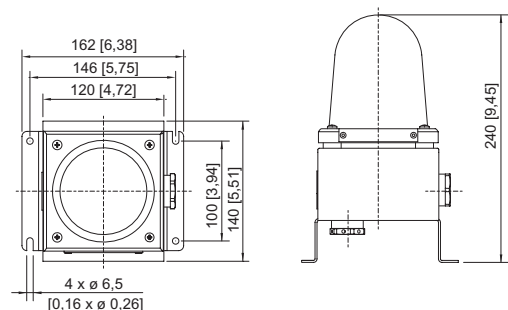
TEF2440160 Art. No. 170636

Technical Drawings – Subject to Alterations



Luminous intensity distribution

Dimensional Drawings (All Dimensions in mm [inches]) – Subject to Alterations



Accessories

		Art. No.
Cable gland	M25 Ø 11 ... 15 / 15 ... 20 mm TEF6222502	241042
Stopping plug	Exe M25 with lock nut TEF6502502	259505

Spare Parts

		Art. No.
Gasket	Silicon gasket for globe TEF50010021	165844
Globe	with red LEDs, without gasket TEF4417	170639
Globe retainer ring	Globe retainer ring TEF4249	241038
LED Driver	110 – 230 V TEF50890047	302226

TEF2440160 Art. No. 170636

Terminal block

Art. No.

Terminal block TEF50280008

241039

We reserve the right to make alterations to the technical data, dimensions, weights, designs and products available without notice. The illustrations cannot be considered binding.