

8579/41-509 Art. No. 202086



- Reliable load disconnect switch with easily visible, lockable handle and display of the switching position
- An integrated auxiliary contact for control and signalling purposes, can be optionally enhanced using pluggable Ex e or Ex i auxiliary contacts that are easily retrofittable
- Large temperature range of use
- High mechanical impact and shock resistance
- Perfect protection against penetration of liquids and dusts
- 3D data for download on the website

MY R. STAHL 8579F



The R. STAHL Series 8579/41 sockets for Class I, Div. 2, Groups A, B, C and D and Zone 1/21 in 4- and 5-pole versions have full AC-3 switching capacity up to 60 A. The high degree of protection (IP66) ensures maximum protection against the ingress of dust and water in any application situation. Self-cleaning lamellar contacts provide optimum contact and the plugs can be inserted and removed in the zero position quickly and easily. The load disconnect switch, with a mechanical locking device that can be locked in the ON (0) and OFF (1) position, is an additional safety feature.

Technical Data

Explosion Protection

Scope of validity	European Union (ATEX) Canada IECEX USA
Scope of validity Note	Other country markings available on request
Application range (zones)	1 2 21 22
IECEX gas certificate	IECEX PTB 06.0020
IECEX gas explosion protection	Ex db eb IIC T6 ... T5 Gb
IECEX dust certificate	IECEX PTB 06.0020
IECEX dust explosion protection	Ex tb IIIC T60 °C / T75 °C Db
ATEX gas certificate	PTB 01 ATEX 1150
ATEX gas explosion protection	Ⓔ II 2 G Ex db eb IIC T6 ... T5 Gb
ATEX dust certificate	PTB 01 ATEX 1150
ATEX dust explosion protection	Ⓔ II 2 D Ex tb IIIC T60 °C / T75 °C Db
FMus certificate	0R6A2.AX
cFM certificate	3050350
Marking FMus	Class I, Div. 2, Groups A,B,C,D; Class II, III, Div. 1, Groups E,F,G; Enclosure Type 3, 4, 4X Class I, Zone 1, AEx d e IIC T6 Gb
Marking cFM	Class I, Zone 1, Ex d e IIC T6 Gb Cl. I, Div. 2 per CEC J18-150, Class II, Div. 1, Groups G; Enclosure Type 3, 4, 4X

Installation equipment

Wall-mounting socket 60 A



8579/41-509 Art. No. 202086

Explosion Protection

Certificates	ATEX (PTB), Brazil (ULB), Canada (FM), China (CQST), IECEx (PTB), Korea (KGS), USA (FM)
--------------	---

Electrical Data

Rated operational voltage	208Y/120 V AC
Rated operational current	max. 60 A
Electrical service life	> 2x10 ⁴ switching cycles
Mechanical service life	> 2x10 ⁴ switching cycles
Type of voltage	Low voltage
Switching capacity main contacts	3-phase 600 V AC, 60 hp 480 V AC, 40 hp 250 V AC, 20 hp
Auxiliary contacts	2 (1 NO + 1 NC)
Frequency range	50 / 60 Hz

Device Specific Data

Back-up fuse with thermal protection	80 A gG
Back-up fuse without thermal protection	63 A gG

Ambient Conditions

Ambient temperature	-30 °C ... +40 °C (T6) -30 °C ... +55 °C (T5)
Ambient temperature	-22 °F ... +104 °F (T6) -22 °F ... +131 °F (T5)

Mechanical Data

Degree of protection IP (IEC 60529)	IP66
IP degree of protection (IEC 60079)	IP66
Enclosure type (NEMA250)	3, 4, 4X
Enclosure material	Polyester, Glass fibre reinforced
Silicone-free	No
Multiple conductor connection	2 x 16 mm ²
Multiple conductor connection AWG	2 x AWG 6
Finely stranded connection cross-section	1 x 16 mm ² ... 1 x 50 mm ²
Finely stranded connection cross-section AWG	1 x AWG 6 ... 1 x AWG 1/0
Stranded connection cross-section	1 x 16 mm ² ... 1 x 50 mm ²
Stranded connection cross-section AWG	1 x AWG 6 ... 1 x AWG 1/0
Width	180 mm
Width in inches	7.09 in
Height	212 mm
Height, inches	8.36 in
Length	413 mm
Length, inches	16.27 in
Impact strength (IEC 60079)	7 J
Impact strength (IEC 62262)	IK10
Colour code	Blue
Coding (clock hour position)	9
Lockable in	in 0- and I-position

Installation equipment

Wall-mounting socket 60 A



8579/41-509 Art. No. 202086

Mechanical Data

Series	SolConeX
Detailed number of poles	4-pole, 5 conductors
Weight	7.8 kg
Weight	17.2 lb

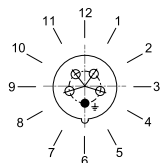
Mounting / Installation

Connection	Screw terminal
------------	----------------

Components

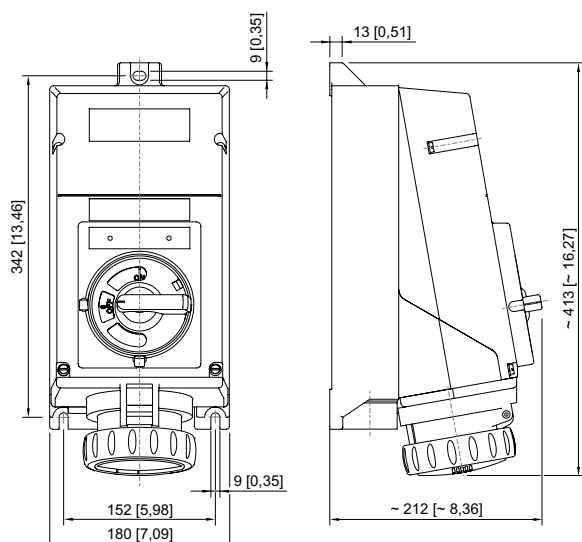
Cable entry note	Entry 1: Bottom left Entry 2: Bottom right
Entry 1 model	Can be ordered as accessories
Entry 1	NPT 1 1/2"
Metal entry possible 1	Yes
Entry 2 model	8290/3-M25
Entry 2 type	Polyamide stopping plug
Entry 2	M25 x 1.5
Metal entry possible 2	No

Technical Drawings – Subject to Alterations



Position of clock hour position
Example: 6 h position

Dimensional Drawings (All Dimensions in mm [inches]) – Subject to Alterations



Wall-mounting socket

Accessories

Auxiliary contact


Art. No.

Installation equipment

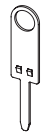
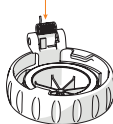
Wall-mounting socket 60 A



8579/41-509 Art. No. 202086

	2 NC (8080/1-3) 250 V AC/DC Max. 6 A 1.5 to 2.5 mm ² , solid/finely stranded The switching function of the auxiliary contact depends on the installation slot used. Left and right: Synchronising	168356
	1 NC + 1 NO (8080/1-1) 250 V AC/DC Max. 6 A 1.5 to 2.5 mm ² , solid/finely stranded The switching function of the auxiliary contact depends on the installation slot used. Left: Delayed (ON), leading (OFF) Right: Synchronising	168351
	2 NO (8080/1-4) 250 V AC/DC Max. 6 A 1.5 to 2.5 mm ² , solid/finely stranded The switching function of the auxiliary contact depends on the installation slot used. Left and right: Synchronising	168353

Spare Parts

Auxiliary contact key		Art. No.
	For removing installed auxiliary contacts	201909
Repair set for Series 8579 sockets		Art. No.
	Repair set 8579 hinged cover, blue	275507

We reserve the right to make alterations to the technical data, dimensions, weights, designs and products available without notice. The illustrations cannot be considered binding.