

8510/112-07-408-022 Art. No. 202159



- Type-tested standard components for time-delayed switching
- Time delays up to 300 hours, wide-range control voltage
- Recurrence and on-delay variants, also with time-delay function

MY R. STAHL 8510O



The R. STAHL Series 8510 time relay is a type-tested standard component for time-delayed switching – with a delay of up to 300 hours. It is available in recurrence and on-delay variants, also with time-delay function (only Y-Δ time relay), and with various contact types. The corrosion-resistant enclosure and can be fitted in Ex e enclosures using an anti-vibration screw connection.

Technical Data

Explosion Protection

Ex version	Yes
Application range (zones)	1 2
IECEX gas certificate	IECEX BVS 07.0029U
IECEX gas explosion protection	Ex de IIC
IECEX firedamp certificate	IECEX BVS 07.0029U
IECEX firedamp protection	Ex de I
ATEX gas certificate	DMT 00 ATEX E 073 U
ATEX gas explosion protection	⊕ II 2 G Ex de IIC
ATEX firedamp certificate	DMT 00 ATEX E 073 U
ATEX firedamp protection	⊕ I M2 Ex de I
Certificates	Brazil (ULB), China (CQST), IECEX (BVS)

Electrical Data

AC rated actuation voltage	24 – 240 V
DC rated actuation voltage	24 – 48 V
Frequency Hz (for AC)	60 50
Auxiliary contacts	2 (2 NO)

Ambient Conditions

Ambient temperature	-20 °C ... +60 °C
---------------------	-------------------

Mechanical Data

Version	Double response-delayed
Degree of protection (IP)	IP20
Enclosure material	Epoxy resin
Min. connection terminals	0.75 mm ²
Max. solid connection terminals	2.5 mm ²
Max. finely stranded connection terminals	1.5 mm ²

8510/112-07-408-022 Art. No. 202159

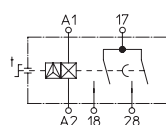
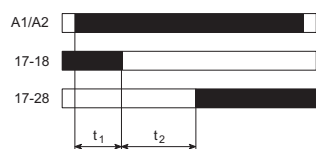
Mechanical Data

Type of connection cable	Solid Finely stranded
Width	48 mm
Height	130 mm
Depth	168 mm
Weight	1.25 kg
Weight	2.76 lb

Components

Min. time range	0,05 s
Max. time range	10 min

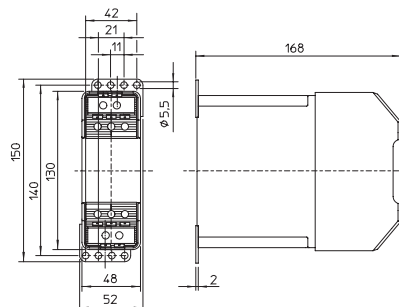
Technical Drawings – Subject to Alterations



Double ON time relay with self-cleaning function
Timing range: 0.05 s to 10 min

Double ON time relay with self-cleaning function
Timing range: 0.05 s to 10 min

Dimensional Drawings (All Dimensions in mm [inches]) – Subject to Alterations



8510/112

We reserve the right to make alterations to the technical data, dimensions, weights, designs and products available without notice. The illustrations cannot be considered binding.