

8602C3-726-S-M01-02-E08



- Pushbutton, mushroom pushbutton, mushroom stay-put button with key lock, mushroom stay-put button, twin pushbutton and illuminated pushbutton, rotary actuator, key-operated switch, potentiometer bezel and indicator lamp bezel
- One axial actuator can actuate up to four 8082 series contact elements
- Key-operated switches and rotary switches codable at any time as "latching/spring return" or "key not removable"

WebCode **8602A**



Thanks to their special technical features, the actuators from the 8602/3 series can withstand the most extreme conditions. In addition to the application option for use in ambient temperatures from -60 °C to +70 °C, the IP degree of protection, IP66, is maintained in accordance with EN 60529. It is also possible to actuate up to four contact elements from the 8082 series with a single axial actuator from the 8602/3 series.

The coding option of the key switches and rotary switches is innovative and one-of-a-kind. Integrated coding allows you to adjust the "latching/spring return" and/or "key not removable" functions at any time without additional accessories. A versatile set of accessories consisting of label holders and locking devices is available.

Technical Data

Explosion Protection

| | |
|---------------------------------|-------------------------------------------------------------------------------------------------|
| Application range (zones) | 1 2 21 22 |
| IECEX gas certificate | IECEX PTB 13.0047U |
| IECEX gas explosion protection | Ex eb IIC Gb |
| IECEX dust certificate | IECEX PTB 13.0047 U |
| IECEX dust explosion protection | Ex tb IIIC Db |
| ATEX gas certificate | PTB 13 ATEX 1019 U |
| ATEX gas explosion protection | Ex II 2 G Ex eb IIC Gb |
| ATEX dust certificate | PTB 13 ATEX 1019 U |
| ATEX dust explosion protection | Ex II 2 D Ex tb IIIC Db |
| UL gas certificate | E182378 V4 S2 |
| Certificates | ATEX (PTB), Brazil (ULB), Canada / USA (UL), EAC (CCVE), IECEX (PTB), India (PESO), Korea (KGS) |

Ambient Conditions

| | |
|-------------------------|--------------------|
| Ambient temperature | -60 °C ... +70 °C |
| Ambient temperature | -76 °F ... +158 °F |
| Storage temperature | -60 °C ... +70 °C |
| Storage temperature | -76 °F ... +158 °F |
| Use at the height of | < 2000 m |
| Degree of contamination | 3 |

8602C3-726-S-M01-02-E08

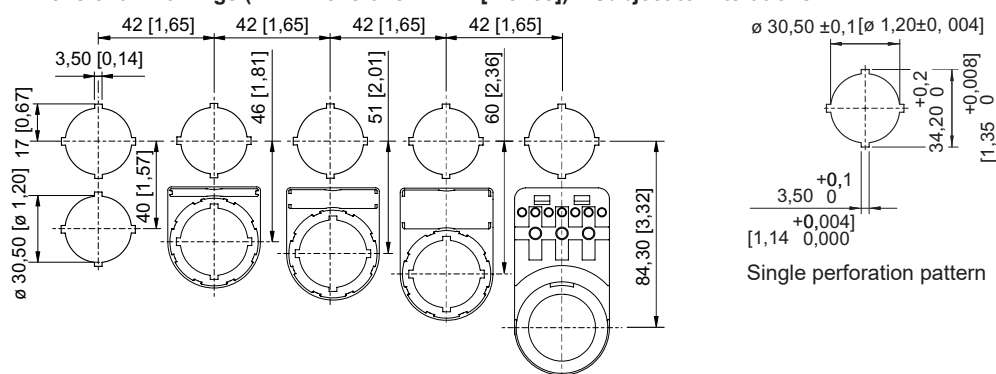
Mechanical Data

| | |
|-------------------------------|--------------------------------------------------------------------------------------------------------------------------------------------------------------------------------------------------------------------------------------------------|
| Version | not lockable |
| Degree of protection (IP) | IP66 |
| Note on degree of protection | According to IEC/EN 60529 |
| Enclosure material | Polyamide |
| Silicone-free | No |
| Number of switching positions | 2 |
| Assembly | 726 |
| Diameter | 39 mm |
| Service life, min. | 10 ⁹ actuations |
| Impact strength (IEC 60079) | 7 J |
| Impact strength (IEC 62262) | min. IK08 |
| Colour | Black |
| Fastening | Thread type |
| Designation plate | 0/OFF – I/ON |
| Seal | Silicone |
| Lockable in | Not padlockable |
| Packaging unit | 1 |
| Weight | 0.04 kg |
| Weight | 0.09 lb |
| Decription note | With the installed coding elements, conversion to the "spring return" function is possible. Standard label enclosed separately. Different labels must be ordered separately. Pressure plates for 1-2 and 3-4 contact elements enclosed. |

Mounting / Installation

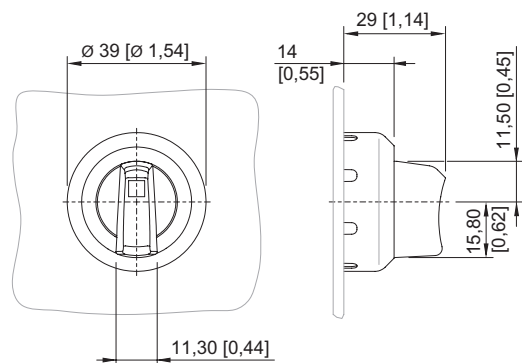
| | |
|--------------------------|--------------|
| Tightening torque | 3 Nm |
| Tightening torque lbf in | 26.55 lbf in |

Dimensional Drawings (All Dimensions in mm [inches]) – Subject to Alterations



Standard cut-out with / without front label

8602C3-726-S-M01-02-E08



8602/3-726 Axial rotary actuator, not lockable
Actuator with axial actuation

Accessories

Label holder



Size 1, without insert disc, 1-line label
for actuators Ø 39

Art. No.

223566

Insert discs for label holder



1-line
Plain
Material: PVC
Colour: White
Self-adhesive

Art. No.

238271



2-line
Plain
Material: PVC
Colour: White
Self-adhesive

238272



3-line
Plain
Material: PVC
Colour: White
Self-adhesive

238273

Labels for small BG 732, BG 734 rotary actuator and BG 726, BG 727 axial rotary actuator



Ø 30.8
plain

Art. No.

227495

Labels for axial BG 726, BG 727 rotary actuator




Ø 30.8
0/OFF I/ON


Art. No.

240472

8602C3-726-S-M01-02-E08



| | | |
|----------------------------------------------------------------------------------|---------------|--------|
|  | Ø 30.8 0 I | 240475 |
|----------------------------------------------------------------------------------|---------------|--------|

Closing part


| | | Art. No. |
|----------------------------------------------------------------------------------|------------------------------------------------------------------------|-----------------|
|  | 8602C3-733-B for closing unused holes in cover, Ø 30.5 mm, NBR | 244306 |
| | 8602C3-733-S for closing unused holes in cover, Ø 30.5 mm, silicone | 244307 |

Spare Parts



Label holder

| | | Art. No. |
|-----------------------------------------------------------------------------------|---------------------------------------------------------------------------|-----------------|
|  | Size 2, without insert disc, 1- or 2-line label for actuators Ø 39 | 223567 |
|  | Size 3, without insert disc, 1-, 2- or 3-line label for actuators Ø 39 | 223568 |

Special key

| | | Art. No. |
|------------------------------------------------------------------------------------|------------------------------------|-----------------|
|  | for tightening plastic locking nut | 169101 |


Pressure plates

| | | Art. No. |
|------------------------------------------------------------------------------------|------------------------------------------------------------------------------|-----------------|
|  | for key-operated switch and axial rotary actuator 1 to 2 contact elements | 253627 |
|  | for key-operated switch and axial rotary actuator 3 to 4 contact elements | 221707 |

Holder for front installation

| | | Art. No. |
|------------------------------------------------------------------------------------|------------------------------|-----------------|
|  | 8602/3 holder for cable duct | 248673 |

Adaptor for front installation

| | | Art. No. |
|------------------------------------------------------------------------------------|----------------------------------------------------------------------------------------------|-----------------|
|  | 8602/3 Front installation for indicator lamp series 8010/6 and contact element series 8082/3 | 227038 |

Installation Equipment

Rotary actuator, small Not padlockable



8602C3-726-S-M01-02-E08

8082/3 Contact element

| | | Art. No. |
|----------------------------------------------------------------------------------|-----------------------------------|----------|
|  | for NC contact front installation | 240898 |
| | for NO contact front installation | 240899 |

We reserve the right to make alterations to the technical data, dimensions, weights, designs and products available without notice. The illustrations cannot be considered binding.