

# Installation Equipment

## Large rotary actuator

Black - black

8602C3-731-S-90X-E02



- Pushbutton, mushroom pushbutton, mushroom stay-put button with key lock, mushroom stay-put button, twin pushbutton and illuminated pushbutton, rotary actuator, key-operated switch, potentiometer bezel and indicator lamp bezel
- One axial actuator can actuate up to four 8082 series contact elements
- Key-operated switches and rotary switches codable at any time as "latching/spring return" or "key not removable"

WebCode **8602A**



Thanks to their special technical features, the actuators from the 8602/3 series can withstand the most extreme conditions. In addition to the application option for use in ambient temperatures from -60 °C to +70 °C, the IP degree of protection, IP66, is maintained in accordance with EN 60529. It is also possible to actuate up to four contact elements from the 8082 series with a single axial actuator from the 8602/3 series.

The coding option of the key switches and rotary switches is innovative and one-of-a-kind. Integrated coding allows you to adjust the "latching/spring return" and/or "key not removable" functions at any time without additional accessories. A versatile set of accessories consisting of label holders and locking devices is available.

## Technical Data

### Explosion Protection

|                                 |   |
|---------------------------------|---|
| Application range (zones)       | 1<br>2<br>21<br>22  |
| IECEX gas certificate           | IECEX PTB 13.0047U  |
| IECEX gas explosion protection  | Ex eb IIC Gb  |
| IECEX dust certificate          | IECEX PTB 13.0047 U   |
| IECEX dust explosion protection | Ex tb IIIC Db   |
| ATEX gas certificate            | PTB 13 ATEX 1019 U  |
| ATEX gas explosion protection   | Ex II 2 G Ex eb IIC Gb  |
| ATEX dust certificate           | PTB 13 ATEX 1019 U  |
| ATEX dust explosion protection  | Ex II 2 D Ex tb IIIC Db   |
| UL gas certificate              | E182378 V4 S2   |
| Certificates                    | ATEX (PTB), Brazil (ULB), Canada / USA (UL), EAC (CCVE), IECEX (PTB), India (PESO), Korea (KGS) |

### Ambient Conditions

|                         |                    |
|-------------------------|--------------------|
| Ambient temperature     | -60 °C ... +70 °C  |
| Ambient temperature     | -76 °F ... +158 °F |
| Storage temperature     | -60 °C ... +70 °C  |
| Storage temperature     | -76 °F ... +158 °F |
| Use at the height of    | < 2000 m           |
| Degree of contamination | 3                  |

# Installation Equipment

## Large rotary actuator

### Black - black

### 8602C3-731-S-90X-E02



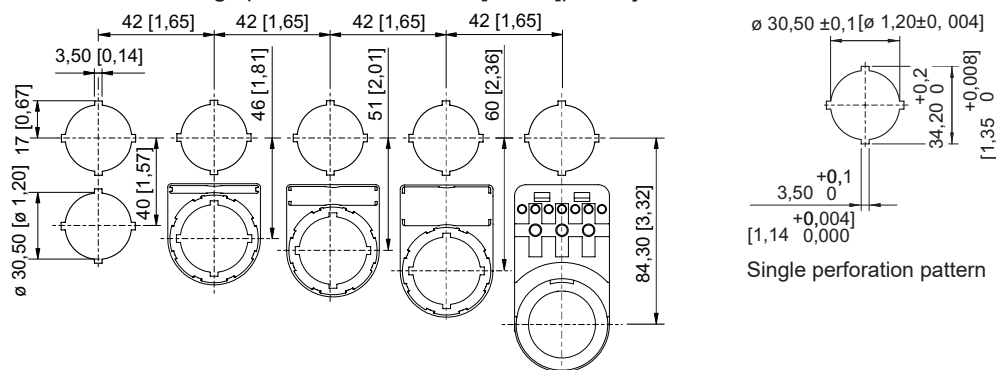
#### Mechanical Data

|                              |   |
|------------------------------|---|
| Degree of protection (IP)    | IP66  |
| Note on degree of protection | According to IEC/EN 60529   |
| Enclosure material           | Polyamide   |
| Silicone-free                | No  |
| Assembly                     | 731   |
| Diameter                     | 65 mm   |
| Service life, min.           | 10 <sup>6</sup> actuations  |
| Impact strength (IEC 60079)  | 7 J   |
| Impact strength (IEC 62262)  | min. IK08   |
| Handle colour                | Black   |
| Protective collar colour     | Black   |
| Fastening                    | Thread type   |
| Designation plate            | 0/OFF – I/ON  |
| Seal                         | Silicone  |
| Lockable in                  | 90°   |
| Weight                       | 0.04 kg   |
| Weight                       | 0.09 lb   |
| Description note             | Lockable option (max. 3 times) can be determined using the enclosed closing parts.<br>Lockable handle position: 90°.<br>In the unmounted assemblies, the standard label is 0/OFF-I/ON and the long coupling part is enclosed.<br>Other labels must be ordered separately. |

#### Mounting / Installation

|                          |               |
|--------------------------|---------------|
| Mounting type            | Pre-installed |
| Tightening torque        | 3 Nm          |
| Tightening torque lbf in | 26.55 lbf in  |

#### Dimensional Drawings (All Dimensions in mm [inches]) – Subject to Alterations



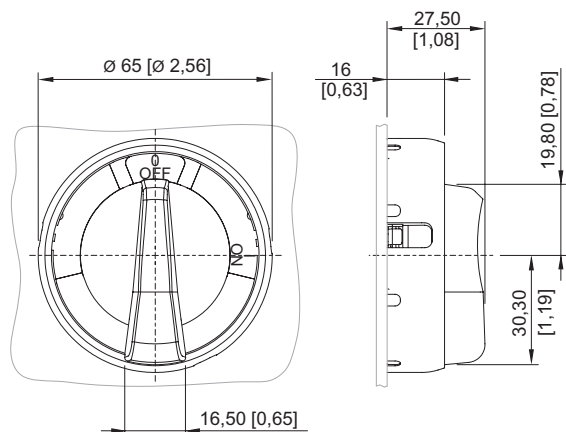
Standard cut-out with / without front label

# Installation Equipment

Large rotary actuator

Black - black

8602C3-731-S-90X-E02



8602/3-730 Rotary actuator, red handle, yellow protective collar  
 8602/3-731 Rotary actuator, black handle, black protective collar  
 Actuator with radial actuation

## Accessories

### Labels for large BG 728, BG 729, BG 730, BG 731 rotary actuator

|  |                     | Art. No. |
|--|---------------------|----------|
|  | Ø 58<br>0/OFF I/ON  | 227004   |
|  | Ø 58<br>0 BETRIEB I | 227005   |
|  | Ø 58<br>0 I II      | 227006   |
|  | Ø 58<br>I 0 II      | 227007   |
|  | Ø 58<br>I II        | 227008   |
|  | Ø 58<br>0 I         | 227009   |
|  | Ø 58<br>I 0 I 0     | 227010   |






# Installation Equipment

Large rotary actuator

Black - black


8602C3-731-S-90X-E02



|   |                            |        |
|---|----------------------------|--------|
|   | Ø 58<br>HAND 0 AUTO        | 227011 |
|   | Ø 58<br>0/OFF 0 I/ON       | 227012 |
|   | Ø 58, yellow<br>0/OFF I/ON | 227013 |
|   | Ø 58<br>0 I (90°)          | 273760 |
|  | Ø 58<br>plain              | 227014 |

## Cylinder lock


Art. No.

|  |                           |        |
|--|---------------------------|--------|
|  | for closing (bracket Ø 3) | 107115 |
|--|---------------------------|--------|

## Spare Parts

### Special key

Art. No.

|  |                                    |        |
|--|------------------------------------|--------|
|  | for tightening plastic locking nut | 169101 |
|--|------------------------------------|--------|

### Adaptor for front installation

Art. No.

|  |  |        |
|--|--|--------|
|  | 8602/3 Front installation for control switch series 8008 | 260081 |
|--|--|--------|

We reserve the right to make alterations to the technical data, dimensions, weights, designs and products available without notice. The illustrations cannot be considered binding.