

# Installation Equipment

## Rotary actuator, small Not padlockable



8602C3-732-S-90G-E08



- Pushbutton, mushroom pushbutton, mushroom stay-put button with key lock, mushroom stay-put button, twin pushbutton and illuminated pushbutton, rotary actuator, key-operated switch, potentiometer bezel and indicator lamp bezel
- One axial actuator can actuate up to four 8082 series contact elements
- Key-operated switches and rotary switches codable at any time as "latching/spring return" or "key not removable"

WebCode **8602A**



Thanks to their special technical features, the actuators from the 8602/3 series can withstand the most extreme conditions. In addition to the application option for use in ambient temperatures from -60 °C to +70 °C, the IP degree of protection, IP66, is maintained in accordance with EN 60529. It is also possible to actuate up to four contact elements from the 8082 series with a single axial actuator from the 8602/3 series.

The coding option of the key switches and rotary switches is innovative and one-of-a-kind. Integrated coding allows you to adjust the "latching/spring return" and/or "key not removable" functions at any time without additional accessories. A versatile set of accessories consisting of label holders and locking devices is available.

### Technical Data

#### Explosion Protection

Application range (zones)	1 2 21 22
IECEX gas certificate	IECEX PTB 13.0047U
IECEX gas explosion protection	Ex eb IIC Gb
IECEX dust certificate	IECEX PTB 13.0047 U
IECEX dust explosion protection	Ex tb IIIC Db
ATEX gas certificate	PTB 13 ATEX 1019 U
ATEX gas explosion protection	Ex II 2 G Ex eb IIC Gb
ATEX dust certificate	PTB 13 ATEX 1019 U
ATEX dust explosion protection	Ex II 2 D Ex tb IIIC Db
Certificates	ATEX (PTB), Brazil (ULB), Canada / USA (UL), EAC (CCVE), IECEX (PTB), India (PESO), Korea (KGS)

#### Ambient Conditions

Ambient temperature	-60 °C ... +70 °C
Ambient temperature	-76 °F ... +158 °F
Storage temperature	-60 °C ... +70 °C
Storage temperature	-76 °F ... +158 °F
Use at the height of	< 2000 m
Degree of contamination	3

#### Mechanical Data

Version	not lockable
---------	--------------

### 8602C3-732-S-90G-E08

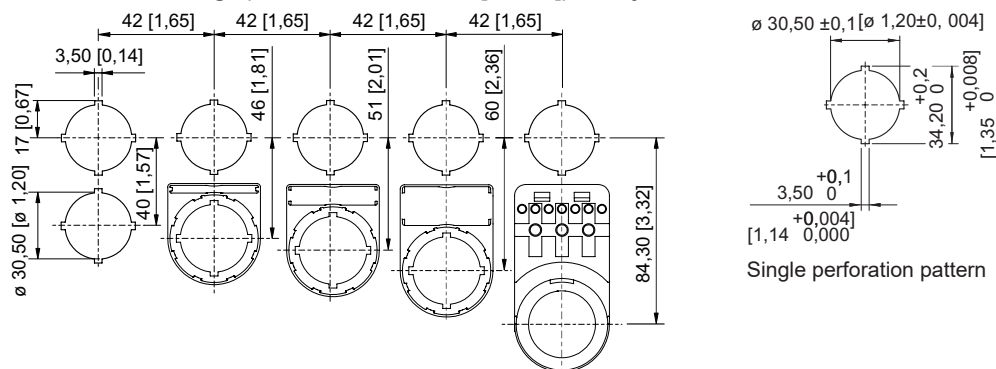
#### Mechanical Data

Degree of protection (IP)	IP66
Note on degree of protection	According to IEC/EN 60529
Enclosure material	Polyamide
Silicone-free	No
Assembly	732
Diameter	39 mm
Service life, min.	10 <sup>6</sup> actuations
Impact strength (IEC 60079)	7 J
Impact strength (IEC 62262)	min. IK08
Colour	Black
Fastening	Thread type
Designation plate	0/OFF – I/ON
Seal	Silicone
Lockable in	Not padlockable
Packaging unit	1
Weight	0.04 kg
Weight	0.09 lb
Description note	Label 0/OFF-I/ON enclosed separately. Different labels must be ordered separately.

#### Mounting / Installation

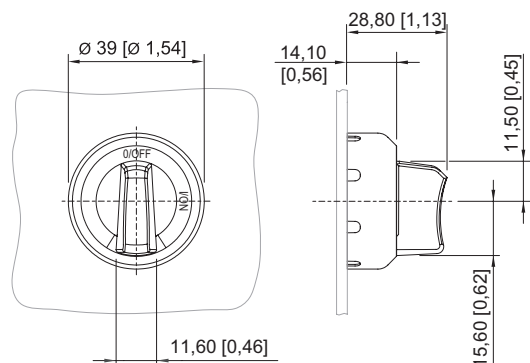
Tightening torque	3 Nm
Tightening torque lbf in	26.55 lbf in

#### Dimensional Drawings (All Dimensions in mm [inches]) – Subject to Alterations



Standard cut-out with / without front label

8602C3-732-S-90G-E08



8602/3-732 Rotary actuator, not lockable  
Actuator with radial actuation

## Accessories

### Label holder



Size 1, without insert disc, 1-line label  
for actuators  $\varnothing 39$

### Art. No.

223566

### Insert discs for label holder



1-line  
Plain  
Material: PVC  
Colour: White  
Self-adhesive

### Art. No.

238271



2-line  
Plain  
Material: PVC  
Colour: White  
Self-adhesive

238272



3-line  
Plain  
Material: PVC  
Colour: White  
Self-adhesive

238273

### Labels for small BG 732, BG 734 rotary actuator



$\varnothing 30.8$   
0/OFF I/ON

### Art. No.

227489



$\varnothing 30.8$   
0 I

227490



$\varnothing 30.8$   
I 0 II

227491

# Installation Equipment

## Rotary actuator, small Not padlockable




8602C3-732-S-90G-E08

	Ø 30.8 0 I	227492
	Ø 30.8 HAND 0 AUTO	227494
	Ø 30.8 AUS EIN	269983
	Ø 30.8 AUTO 0 HAND EIN	269984
	Ø 30.8 AUTO 0 HAND	269985


### Labels for small BG 732, BG 734 rotary actuator and BG 726, BG 727 axial rotary actuator

Art. No.

	Ø 30.8 plain	227495
--	-----------------	--------

### Closing part



Art. No.

	8602C3-733-B for closing unused holes in cover, Ø 30.5 mm, NBR	244306
	8602C3-733-S for closing unused holes in cover, Ø 30.5 mm, silicone	244307

### Spare Parts

#### Label holder

Art. No.

	Size 2, without insert disc, 1- or 2-line label for actuators Ø 39	223567
	Size 3, without insert disc, 1-, 2- or 3-line label for actuators Ø 39	223568

#### Special key

Art. No.

	for tightening plastic locking nut	169101
--	------------------------------------	--------

# Installation Equipment

## Rotary actuator, small Not padlockable



8602C3-732-S-90G-E08

### Adaptor for front installation

### Art. No.



8602/3 Front installation for control switch series 8008

260081

We reserve the right to make alterations to the technical data, dimensions, weights, designs and products available without notice. The illustrations cannot be considered binding.