

Installation Equipment

Large rotary actuator Maxi

Black - black

8602C3-736-S-XXX-E99



- Pushbutton, mushroom pushbutton, mushroom stay-put button with key lock, mushroom stay-put button, twin pushbutton and illuminated pushbutton, rotary actuator, key-operated switch, potentiometer bezel and indicator lamp bezel
- One axial actuator can actuate up to four 8082 series contact elements
- Key-operated switches and rotary switches codable at any time as "latching/spring return" or "key not removable"

WebCode **8602A**



Thanks to their special technical features, the actuators from the 8602/3 series can withstand the most extreme conditions. In addition to the application option for use in ambient temperatures from -60 °C to +70 °C, the IP degree of protection, IP66, is maintained in accordance with EN 60529. It is also possible to actuate up to four contact elements from the 8082 series with a single axial actuator from the 8602/3 series.

The coding option of the key switches and rotary switches is innovative and one-of-a-kind. Integrated coding allows you to adjust the "latching/spring return" and/or "key not removable" functions at any time without additional accessories. A versatile set of accessories consisting of label holders and locking devices is available.

Technical Data

Explosion Protection

| | |
|---------------------------------|--|
| Application range (zones) | 1 2 21 22 |
| IECEX gas certificate | IECEX PTB 13.0047U |
| IECEX gas explosion protection | Ex eb IIC Gb |
| IECEX dust certificate | IECEX PTB 13.0047 U |
| IECEX dust explosion protection | Ex tb IIIC Db |
| ATEX gas certificate | PTB 13 ATEX 1019 U |
| ATEX gas explosion protection | Ex II 2 G Ex eb IIC Gb |
| ATEX dust certificate | PTB 13 ATEX 1019 U |
| ATEX dust explosion protection | Ex II 2 D Ex tb IIIC Db |
| UL gas certificate | E182378 V4 S2 |
| Certificates | ATEX (PTB), IECEx (PTB), India (PESO), Korea (KGS) |

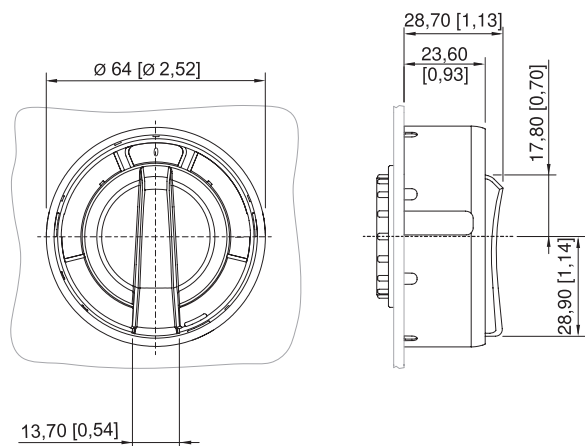
Ambient Conditions

| | |
|-------------------------|--------------------|
| Ambient temperature | -60 °C ... +70 °C |
| Ambient temperature | -76 °F ... +158 °F |
| Storage temperature | -60 °C ... +70 °C |
| Storage temperature | -76 °F ... +158 °F |
| Use at the height of | < 2000 m |
| Degree of contamination | 3 |

Mechanical Data

| | |
|---------|------|
| Version | Maxi |
|---------|------|

Installation Equipment
Large rotary actuator Maxi
Black - black
8602C3-736-S-XXX-E99



8602/3-736 Rotary actuator maxi, black handle, black protective collar
 8602/3-737 Rotary actuator maxi, red handle, yellow protective collar
 Actuator with radial actuation

Accessories

Labels for BG 736, BG 737 rotary actuator

Art. No.

| | | |
|--|----------------------------|--------|
| | Ø 58.5 0/OFF I/ON | 274882 |
| | Ø 58.5 plain | 274883 |
| | Ø 58.5 0 BETRIEB I | 263982 |
| | Ø 58.5 0 ON | 270806 |
| | Ø 58.5 OFF AUTO ON | 270807 |
| | Ø 58.5 AUTO 0 BETRIEB I | 270808 |

Cylinder lock



Art. No.

| | | |
|--|---------------------------|--------|
| | for closing (bracket Ø 3) | 107115 |
|--|---------------------------|--------|

Installation Equipment
Large rotary actuator Maxi
Black - black
8602C3-736-S-XXX-E99



Spare Parts

| Special key | | Art. No. |
|--|--|-----------------|
|  | for tightening plastic locking nut | 169101 |
| Adaptor for front installation | | Art. No. |
|  | 8602/3 Front installation for control switch series 8008 | 260081 |

We reserve the right to make alterations to the technical data, dimensions, weights, designs and products available without notice. The illustrations cannot be considered binding.