

# Installation Equipment

## Large rotary actuator Maxi

### Black - black

### 8602C3-736-B-XXX-E99



- Pushbutton, mushroom pushbutton, mushroom stay-put button with key lock, mushroom stay-put button, twin pushbutton and illuminated pushbutton, rotary actuator, key-operated switch, potentiometer bezel and indicator lamp bezel
- One axial actuator can actuate up to four 8082 series contact elements
- Key-operated switches and rotary switches codable at any time as "latching/spring return" or "key not removable"

WebCode **8602A**



Thanks to their special technical features, the actuators from the 8602/3 series can withstand the most extreme conditions. In addition to the application option for use in ambient temperatures from -60 °C to +70 °C, the IP degree of protection, IP66, is maintained in accordance with EN 60529. It is also possible to actuate up to four contact elements from the 8082 series with a single axial actuator from the 8602/3 series.

The coding option of the key switches and rotary switches is innovative and one-of-a-kind. Integrated coding allows you to adjust the "latching/spring return" and/or "key not removable" functions at any time without additional accessories. A versatile set of accessories consisting of label holders and locking devices is available.

## Technical Data

### Explosion Protection

Application range (zones)	1 2 21 22
IECEX gas certificate	IECEX PTB 13.0047U
IECEX gas explosion protection	Ex eb IIC Gb
IECEX dust certificate	IECEX PTB 13.0047 U
IECEX dust explosion protection	Ex tb IIIC Db
ATEX gas certificate	PTB 13 ATEX 1019 U
ATEX gas explosion protection	Ex II 2 G Ex eb IIC Gb
ATEX dust certificate	PTB 13 ATEX 1019 U
ATEX dust explosion protection	Ex II 2 D Ex tb IIIC Db
UL gas certificate	E182378 V4 S2
Certificates	ATEX (PTB), IECEX (PTB), India (PESO), Korea (KGS)

### Ambient Conditions

Ambient temperature	-20 °C ... +60 °C
Ambient temperature	-4 °F ... +140 °F
Storage temperature	-25 °C ... +60 °C
Storage temperature	-13 °F ... +140 °F
Use at the height of	< 2000 m
Degree of contamination	3

### Mechanical Data

Version	Maxi
---------	------

# Installation Equipment

## Large rotary actuator Maxi

### Black - black

### 8602C3-736-B-XXX-E99



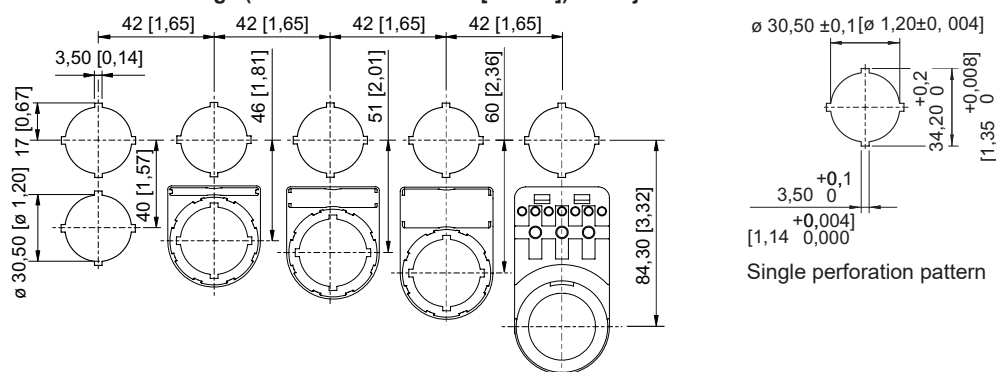
#### Mechanical Data

Degree of protection (IP)	IP66
Note on degree of protection	According to IEC/EN 60529
Enclosure material	Polyamide
Silicone-free	Yes
Assembly	736
Diameter	64 mm
Service life, min.	10 <sup>6</sup> actuations
Impact strength (IEC 60079)	7 J
Impact strength (IEC 62262)	min. IK08
Handle colour	Black
Protective collar colour	Black
Fastening	Thread type
Designation plate	Multiple labels
Seal	Standard
Lockable in	xx° not defined
Packaging unit	1
Weight	0.07 kg
Weight	0.15 lb
Description note	Lockable option (max. 3 times) can be determined using the enclosed closing parts. Lockable handle position: Not defined. In the unmounted assemblies, the standard label is 0/OFF-I/ON; 0-EIN; AUS-AUTO-EIN; AUTO-0-BETRIEB-I and the long coupling part is enclosed. Other labels must be ordered separately.

#### Mounting / Installation

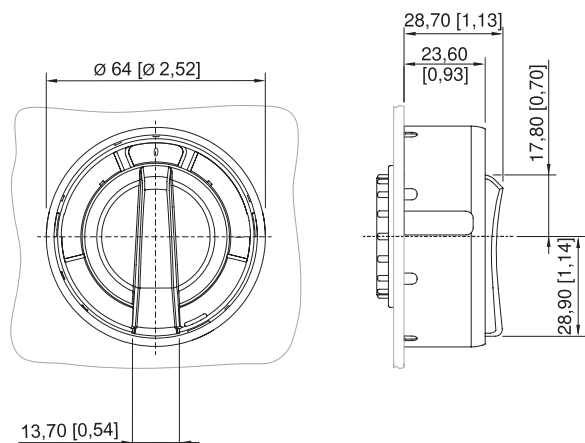
Mounting type	Pre-installed
Tightening torque	3 Nm
Tightening torque lbf in	26.55 lbf in

#### Dimensional Drawings (All Dimensions in mm [inches]) – Subject to Alterations



Standard cut-out with / without front label

**Installation Equipment**  
**Large rotary actuator Maxi**  
**Black - black**  
**8602C3-736-B-XXX-E99**



8602/3-736 Rotary actuator maxi, black handle, black protective collar  
 8602/3-737 Rotary actuator maxi, red handle, yellow protective collar  
 Actuator with radial actuation

**Accessories**

**Labels for BG 736, BG 737 rotary actuator**

**Art. No.**

	Ø 58.5 0/OFF I/ON	274882
	Ø 58.5 plain	274883
	Ø 58.5 0 BETRIEB I	263982
	Ø 58.5 0 ON	270806
	Ø 58.5 OFF AUTO ON	270807
	Ø 58.5 AUTO 0 BETRIEB I	270808

**Cylinder lock**



**Art. No.**

	for closing (bracket Ø 3)	107115
--	---------------------------	--------

**Installation Equipment**  
Large rotary actuator Maxi  
Black - black  
8602C3-736-B-XXX-E99



**Spare Parts**

<b>Special key</b>		<b>Art. No.</b>
	for tightening plastic locking nut	169101
<b>Adaptor for front installation</b>		<b>Art. No.</b>
	8602/3 Front installation for control switch series 8008	260081

We reserve the right to make alterations to the technical data, dimensions, weights, designs and products available without notice. The illustrations cannot be considered binding.