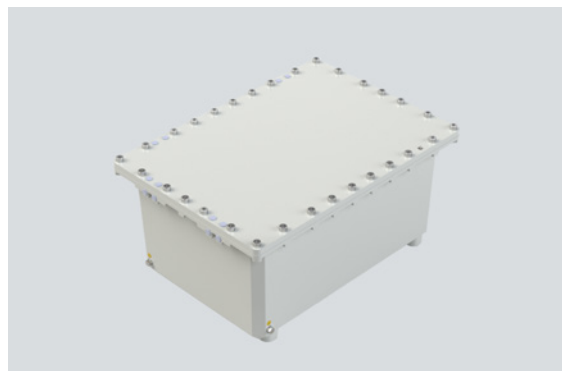


8250/0-0370-0300-138-420030 Art. No. 294283



- Lightweight, cost-effective enclosure, made of copper-free aluminium
- Suitable for operation in Zones 1, 2, 21 and 22
- Ex d and Ex tb certified
- Gas group IIB + H2
- Degree of protection IP65 or IP66
- Retrofittable hinges
- Customer-specific configuration of the operating elements, of the number of cable glands and of the cable gland types

MY R. STAHL 8250C



The 8250 enclosure series forms the ideal basis for designing application-specific configurations of motor control units, control stations, terminal boxes, controls and distribution panels. The enclosure enables the installation of electric components and operating elements according to customer specification.

Flameproof cable glands with the Ex d type of protection or threaded holes for conduit connection can be used for direct cable entry into the enclosures.

Technical Data

Explosion Protection

Application range (zones)	1 2 21 22
IECEX gas certificate	IECEX BVS 13.0067U
IECEX gas explosion protection	Ex db IIB / IIB+H2 Gb
IECEX dust certificate	IECEX BVS 13.0067U
IECEX dust explosion protection	Ex tb IIIC Db
ATEX gas certificate	BVS 13 ATEX E057U
ATEX gas explosion protection	Ex II 2 G Ex db IIB / IIB+H2 Gb
ATEX dust certificate	BVS 13 ATEX E057U
ATEX dust explosion protection	Ex II 2 D Ex tb IIIC Db
Certificates	ATEX (BVS), IECEX (BVS)

Electrical Data

Rated operational voltage DC	11000 V
Rated operational voltage AC	11 kV
Rated operational current	1250 A

Ambient Conditions

Ambient temperature	-20 °C ... +70 °C (For IIB) -20 °C ... +60 °C (For IIB+H2)
Storage temperature	-60 °C ... +80 °C

Mechanical Data

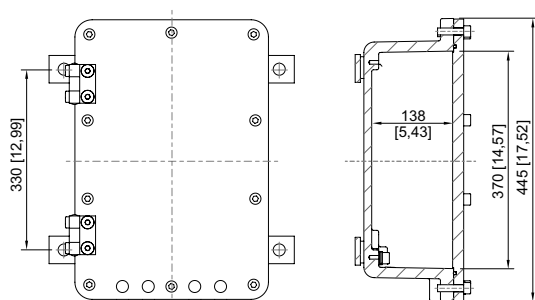
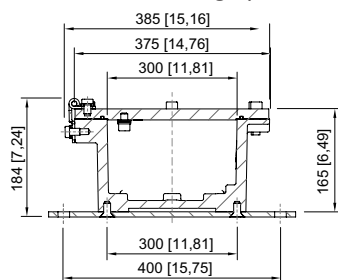
Degree of protection (IP) (IEC 60529)	IP66 (with O-ring) IP65 (without O-ring)
Enclosure material	Cast aluminium alloy BS 1490 aluminium LM6

8250/0-0370-0300-138-420030 Art. No. 294283

Mechanical Data

Enclosure colour	Light grey (RAL 7035)
Enclosure colour note	Other colours on request
Cover material	EN - AW6082
Cover	Flat panel
Cover fixing type	With standard screw, According to the order
Width	370 mm
Height	300 mm
Depth	138 mm
Built-in components	without
Enclosure size	3
Left openings (180°)	According to the order
Top openings (90°)	According to the order
Right openings (0°)	According to the order
Bottom openings (270°)	According to the order
Weight	19.1 kg
Weight	42.11 lb

Dimensional Drawings (All Dimensions in mm [inches]) – Subject to Alterations



Enclosure size 3

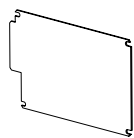
Accessories

Hinge		Art. No.
	Hinge for Series 8250	294285

8250/0-0370-0300-138-420030 Art. No. 294283

Mounting plate

Art. No.

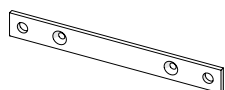


Mounting plate for size 3

305846

Wall mounting

Art. No.



Wall-mounting rail for size 3

225911

We reserve the right to make alterations to the technical data, dimensions, weights, designs and products available without notice. The illustrations cannot be considered binding.