

Installation equipment

Maintenance socket 16 A No mechanical locking device

With indicator lamp Maintenance socket

8570/51-507-S-01-0-XX-XXX Art. No. 296271



- Different voltage ranges according to EN 60309
- Wide temperature range
- High mechanical impact and shock resistance
- Perfect protection against penetration of liquids and dusts
- Connection of industrial equipment for service work
- With sign "Do not switch on if there is an explosion hazard"
- 3D data for download on the website

MY R. STAHL 8570T



The R. STAHL 8570/51 series SolConeX repair sockets are used for repair work with non-Ex devices (according to IEC/EN 60309) in Zones 1, 2, 21 and 22. They offer full AC-3 switching capacity up to 16 A and can switch motors/pumps, etc. directly. The indicator lamps displaying the operating status and the large handle, which can be locked in the zero position to protect against unauthorised use, provide added safety.

Technical Data

Explosion Protection

Scope of validity	European Union (ATEX) IECEX
Application range (zones)	1 2 21 22
IECEX gas certificate	IECEX PTB 21.0026X
IECEX gas explosion protection	Ex db eb IIC T6 Gb
IECEX dust certificate	IECEX PTB 21.0026X
IECEX dust explosion protection	Ex tb IIIC T73 °C Db
ATEX gas certificate	PTB 06 ATEX 1008 X
ATEX gas explosion protection	⊕ II 2 G Ex db eb IIC T6 Gb
ATEX dust certificate	PTB 06 ATEX 1008 X
ATEX dust explosion protection	⊕ II 2 D Ex tb IIIC T73 °C Db
Certificates	ATEX (PTB), IECEX (PTB)

Electrical Data

Rated operational voltage	277/480 to 288/500 V AC
Rated operational current	16 A
Rated operational current note	Usable for up to 20 A depending on the connection cross-section
Electrical service life	> 5x10 ³ switching cycles
Mechanical service life	> 5x10 ³ switching cycles
Type of voltage	Low voltage
Utilisation category	AC-3: 500 V / 16 A AC-3: 500 V / 20 A DC-1: 110 V / 16 A
Switching capacity main contacts	4 kW: 200 to 250 V AC 7.5 kW: 380 to 500 V AC

Installation equipment



Maintenance socket 16 A No mechanical locking device

With indicator lamp Maintenance socket

8570/51-507-S-01-0-XX-XXX Art. No. 296271

Electrical Data

Frequency range	50 / 60 Hz
-----------------	------------

Device Specific Data

Back-up fuse with thermal protection	35 A gG
--------------------------------------	---------

Back-up fuse without thermal protection	16 A gG
---	---------

Ambient Conditions

Ambient temperature	-50 °C ... +65 °C
---------------------	-------------------

Ambient temperature	-58 °F ... +149 °F
---------------------	--------------------

Ambient temperature note	For further information, see the operating instructions.
--------------------------	--

Mechanical Data

Degree of protection IP (IEC 60529)	IP66
-------------------------------------	------

IP degree of protection (IEC 60079)	IP64
-------------------------------------	------

Enclosure material	Polyamide, Glass fibre reinforced
--------------------	-----------------------------------

Silicone-free	No
---------------	----

Solid connection cross-section	1 x 1.5 mm ² ... 2 x 6 mm ²
--------------------------------	---

Connection cross-section AWG single stranded	1 x AWG 16 ... 2 x AWG 10
--	---------------------------

Finely stranded connection cross-section	1 x 1.5 mm ² ... 2 x 4 mm ²
--	---

Finely stranded connection cross-section AWG	1 x AWG 16 ... 2 x AWG 12
--	---------------------------

Width	115 mm
-------	--------

Width in inches	4.53 in
-----------------	---------

Height	180 mm
--------	--------

Height, inches	7.08 in
----------------	---------

Length	251 mm
--------	--------

Length, inches	9.88 in
----------------	---------

Impact strength (IEC 60079)	7 J
-----------------------------	-----

Impact strength (IEC 62262)	IK10
-----------------------------	------

Colour code	Black
-------------	-------

Coding (clock hour position)	7
------------------------------	---

Lockable in	in 0- and I-position
-------------	----------------------

Series	SolConeX
--------	----------

Detailed number of poles	3 P + N + PE
--------------------------	--------------

Weight	-
--------	---

Mounting / Installation

Connection	Screw terminal
------------	----------------

Components

Cable entry note	Entry 1: Lower left Entry 2: Lower right
------------------	---

Entry 1 model	8161/7-M25-1707-LT
---------------	--------------------

Entry 1 type	Polyamide cable gland
--------------	-----------------------

Entry 1	M25 x 1.5
---------	-----------

Entry 1 terminal area	7 – 17 mm
-----------------------	-----------

Entry 1 clamping range, inch	0.28 – 0.67 in
------------------------------	----------------

Metal entry possible 1	No
------------------------	----

Entry 2 model	8290/3-M25
---------------	------------

Installation equipment



Maintenance socket 16 A No mechanical locking device

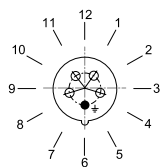
With indicator lamp Maintenance socket

8570/51-507-S-01-0-XX-XXX Art. No. 296271

Components

Entry 2 type	Polyamide stopping plug
Entry 2	M25 x 1.5
Metal entry possible 2	No

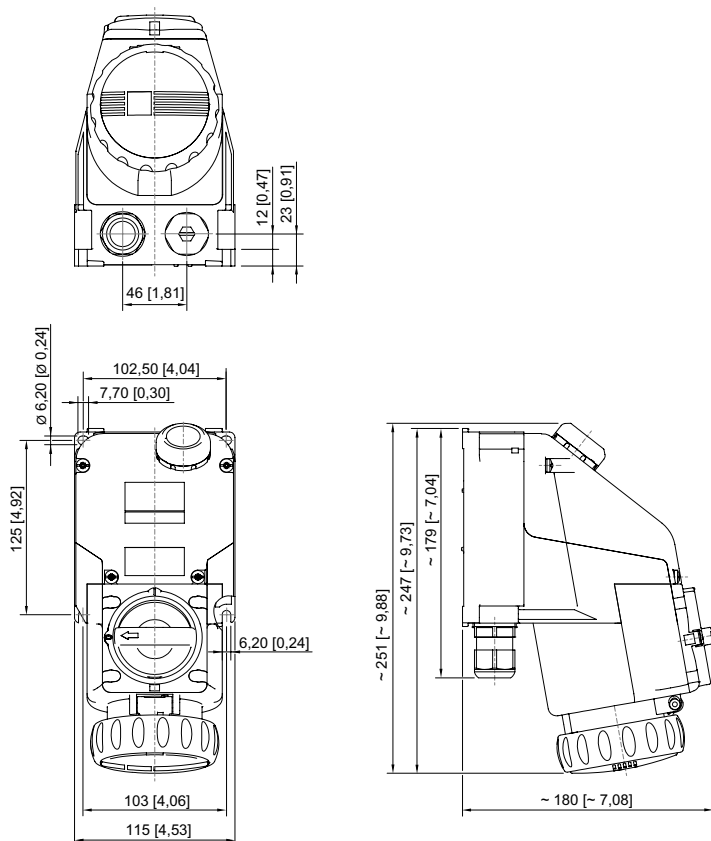
Technical Drawings – Subject to Alterations



Position of clock hour position

Example: 6 h position

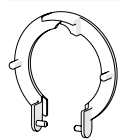
Dimensional Drawings (All Dimensions in mm [inches]) – Subject to Alterations



4-pole/5-pole maintenance socket

Accessories

Dust cover for sockets, series 8570



Retrofittable dust protection for 5-pole sockets

Art. No.

255004

Spare Parts

Installation equipment



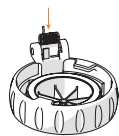
Maintenance socket 16 A No mechanical locking device

With indicator lamp Maintenance socket

8570/51-507-S-01-0-XX-XXX Art. No. 296271

Repair set for Series 8570 sockets

Art. No.



Repair set 8570 hinged cover, 5-pole, black

274109

We reserve the right to make alterations to the technical data, dimensions, weights, designs and products available without notice. The illustrations cannot be considered binding.