

Network technology

ISbus fieldbus technology bus-Carrier, universal

For Zone 2

9419/08F-XX1-01C1 Art. No. 208745



- Time- and cost-saving installation on DIN rails or mounting plates
- High availability thanks to redundant auxiliary power supply with signalling contact and separate signalling contact for segment errors
- Special slot for 9415 series DCM for online transmission of physical layer diagnostics

MY R. STAHL 9419A



9419 series bus-Carriers allow 9412 series fieldbus power supplies for FF H1 segments to be installed quickly and securely. Variants are available for eight segments with simplex supply and for four or eight segments with redundant supply. Pluggable terminals are used to connect the fieldbus segments and host assemblies.

Technical Data

Explosion Protection

Application range (zones)	2
IECEX gas certificate	IECEX BVS 09.0042X
IECEX gas explosion protection	Ex nA nC IIC T4 Gc
ATEX gas certificate	BVS 09 ATEX E 100 X
ATEX gas explosion protection	Ex II 3 G Ex nA nC IIC T4 Gc
FMus certificate	3026646
cFM certificate	3026646C
Marking cFMus	Nonincendive for, Class I, Div. 2, Groups A,B,C,D; T4, at Ta = 70 °C Class I, Zone 1, AEx/Ex nA nC IIC T4 , at Ta = 70 °C 9419 6 031 001 1
Certificates	ATEX (BVS), Canada (FM), IECEX (BVS), USA (FM)

Electrical Data

Version	bus-Carrier, universal
Connection electrical data	To any FF H1 host
Trunk supply	Simplex
Number of segments	8
Number of slots	8 FPS + 1 DCM
Error detection Power Fail (pri / red)	Contact "PF" (35 V/100 mA) closed in go-state
Error detection Diagnostic	Contact "Dia" (35 V/100 mA) closed in go-state

Auxiliary Power

Nominal voltage	24 V DC
Auxiliary power voltage range	19 to 32 V DC
Voltage range residual ripple	≤ 3,6 Vss
Current consumption	Depending on support equipment
Redundant supply	Yes, diode-decoupled
Polarity reversal protection	Yes
Power dissipation	Depending on the carrier equipment

Device Specific Data

Auxiliary power operating condition LED	"pri" LED, green "red" LED, green
DIP switch diagnostics	Diagnostics activated Diagnostics deactivated
DIP switch redundancy	Redundant auxiliary power monitoring activated Redundant auxiliary power monitoring deactivated

Ambient Conditions

Ambient temperature	-20 °C ... +70 °C
Ambient temperature	-4 °F ... +158 °F
Storage temperature	-40 °C ... +80 °C
Storage temperature	-40 °F ... +176 °F
Maximum relative humidity	95% (without condensation)
Max. operating altitude	< 2000 m
Max. operating altitude, ft	< 6562 ft
Electromagnetic compatibility	Tested to the following standards and regulations: EN 61326 (IEC/EN 61000-4-1 to 61000-4-6 and 61000-4-11), NAMUR NE21
Note	For further information, see the 9412 type operating instructions

Mechanical Data

Connection type auxiliary power	2-pole (+, -) on bus-Carrier (pri/red)
Connection type error message contacts	2-pole (+, -) on bus-Carrier (PF/Dia)
Connection type Trunk	2-pole (+, -) on bus-Carrier 3-pole (+, -, shield) on 9412 series fieldbus power supply
Connection type Host / red. Host	2-pole (+, -) on bus-Carrier 3-pole (+, -, shield) on 9412 series fieldbus power supply
Connection type diagnostics	26-pole ribbon cable on 9415 series diagnostics communication module
Connection type cable shields	Shield bus with strain relief
Connection earthing	Via earth connection terminal
Rigid single-wire connection	Trunk 0.2 to 2.5 mm ² Host 0.2 to 2.5 mm ² Auxiliary power 0.2 to 2.5 mm ² Fault message contact 0.2 to 2.5 mm ² Earthing 0.2 to 2.5 mm ²
Flexible single-wire connection	Trunk 0.2 to 2.5 mm ² Host 0.2 to 2.5 mm ² Auxiliary power 0.2 to 2.5 mm ² Fault message contact 0.2 to 2.5 mm ² Earthing 0.2 to 2.5 mm ²
Flexible single-wire connection with sleeve	Trunk 0.25 to 2.5 mm ² Host 0.25 to 2.5 mm ² Auxiliary power 0.25 to 2.5 mm ² Fault message contact 0.25 to 2.5 mm ² Earthing 0.25 to 2.5 mm ²
Two-core connection, flexible	Trunk 0.2 to 1.5 mm ² Host 0.2 to 1.5 mm ² Auxiliary power 0.2 to 1.5 mm ² Fault message contact 0.2 to 1.5 mm ² Earthing 0.2 to 1.5 mm ²

Network technology

ISbus fieldbus technology bus-Carrier, universal

For Zone 2

9419/08F-XX1-01C1 Art. No. 208745



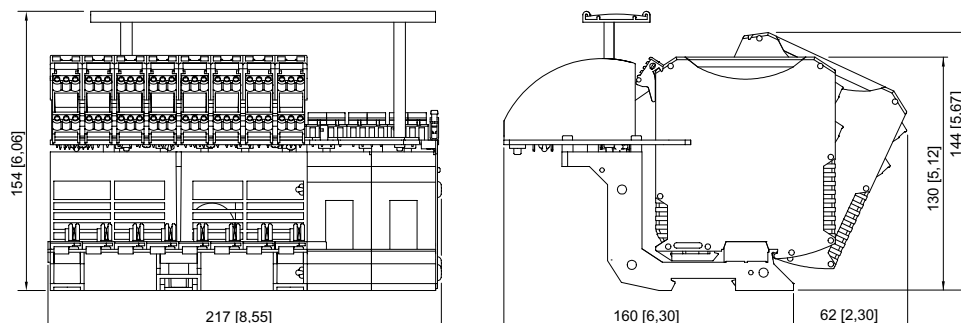
Mechanical Data

Two-core connection, rigid	Trunk 0.2 to 1 mm ² Host 0.2 to 1 mm ² Auxiliary power 0.2 to 1 mm ² Fault message contact 0.2 to 1 mm ² Earthing 0.2 to 1 mm ²
Two-core connection, flexible with sleeve	Trunk 0.25 to 1 mm ² Host 0.25 to 1 mm ² Auxiliary power 0.25 to 1 mm ² Fault message contact 0.25 to 1 mm ² Earthing 0.25 to 1 mm ²
Degree of protection (IP) (IEC 60529)	IP00 IP20 terminals
Module enclosure	PA 6.6
Fire resistance (UL 94)	V0
Pollutant class	Corresponds to G3
Width	217 mm
Width, inches	8.55 in
Length	160 mm
Length, inches	6.3 in
Depth of cut-out	129 mm
Mounting depth, inches	5.08 in
Weight	600 g
Weight	1.32 lb

Mounting / Installation

Mounting type	on NS 35/15 DIN rail (DIN EN 60715) On mounting plate (4 x M5 screw)
Tightening torque	2.6 Nm
Mounting orientation note	For further information, see the 9412 type operating instructions
Mounting orientation	Horizontal Vertical

Dimensional Drawings (All Dimensions in mm [inches]) – Subject to Alterations



9419/04R-XX1-02C1, 9419/08F-XX1-01C1

Accessories

Diagnosics communication module 9415

Art. No.

Network technology

ISbus fieldbus technology bus-Carrier, universal

For Zone 2

9419/08F-XX1-01C1 Art. No. 208745



Transmission of diagnostic data for up to eight segments via FF H1

207903

Fieldbus power supply

Art. No.



Fieldbus supply, diagnostics and adjustable warning level

200588

Spring clamp clip

Art. No.



Spring clamp clip KLBÜ C01

113509

We reserve the right to make alterations to the technical data, dimensions, weights, designs and products available without notice. The illustrations cannot be considered binding.