

8562/51-1040-160 Art. No. 214841



- Non-adjustable thermal and magnetic releases
- Isolating function in accordance with EN 60947-2
- Energy limiting class 3

MY R. STAHL 8562B



R. STAHL Series 8562 miniature circuit breakers boast good current limiting for short circuits and a high switching capacity of 6 or 10 kA. This results in a low load on conductors and a high selectivity for upstream fuses. The components have a modular design and are therefore available in 1- to 4-pole versions and for nominal currents from 0.5 to 40 A.

Technical Data

Explosion Protection

| | |
|--------------------------------|---------------------------------------|
| Application range (zones) | 1, 2 |
| IECEX gas explosion protection | Ex de IIC T5 Gb |
| IECEX firedamp protection | Ex de I Mb |
| ATEX gas explosion protection | ⊕ II 2 G Ex de IIC T5 Gb |
| ATEX firedamp protection | ⊕ I M2 Ex de I Mb |
| Certificates | ATEX (PTB), Brazil (ULB), IECEX (PTB) |

Electrical Data

| | |
|------------------------------|-------|
| Type of voltage | AC/DC |
| AC rated operational voltage | 230 V |
| DC rated operational voltage | 48 V |
| Rated operational current | 16 A |
| Rated operational current | 16 A |
| Rated switching capacity | 10 kA |
| No. of poles | 1 |
| N-pole present | No |
| Tripping characteristic | C |

Ambient Conditions

| | |
|---------------------|------------------|
| Ambient temperature | -20 °C ... 60 °C |
|---------------------|------------------|

Mechanical Data

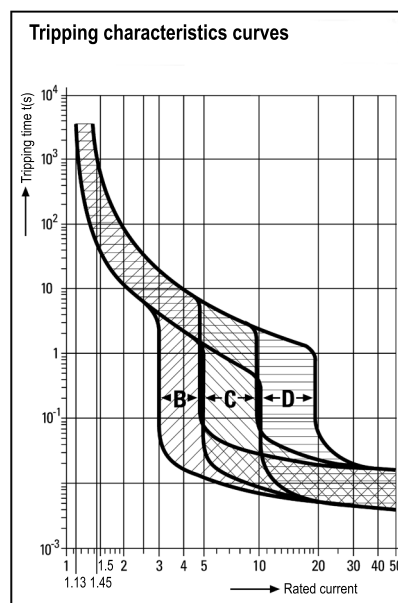
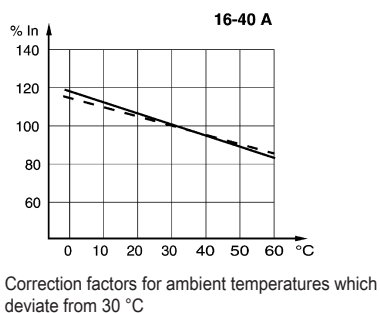
| | |
|---------------------------|-------------|
| Degree of protection (IP) | IP20 |
| Enclosure material | Epoxy resin |
| Width | 36 mm |
| Width | 36 mm |
| Width, inches | 1.42 in |
| Length | 156 mm |
| Length in inches | 6.14 in |
| Mounting depth | 117 mm |

8562/51-1040-160 Art. No. 214841

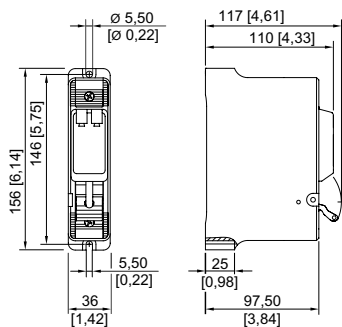
Mechanical Data

| | |
|--------------------------|---------|
| Mounting depth in inches | 4.61 in |
| Weight | 800 g |
| Weight | 1.76 lb |

Technical Drawings – Subject to Alterations



Dimensional Drawings (All Dimensions in mm [inches]) – Subject to Alterations



8562/51

We reserve the right to make alterations to the technical data, dimensions, weights, designs and products available without notice. The illustrations cannot be considered binding.