

8562/54-3046-060 Art. No. 215059



- Non-adjustable thermal and magnetic releases
- Isolating function in accordance with EN 60947-2
- Energy limiting class 3

MY R. STAHL 8562B



R. STAHL Series 8562 miniature circuit breakers boast good current limiting for short circuits and a high switching capacity of 6 or 10 kA. This results in a low load on conductors and a high selectivity for upstream fuses. The components have a modular design and are therefore available in 1- to 4-pole versions and for nominal currents from 0.5 to 40 A.

## Technical Data

### Explosion Protection

Application range (zones)	1, 2
IECEx gas explosion protection	Ex de IIC T6 Gb
IECEx firedamp protection	Ex de I Mb
ATEX gas explosion protection	II 2 G Ex de IIC T6 Gb
ATEX firedamp protection	I M2 Ex de I Mb
Certificates	ATEX (PTB), Brazil (ULB), IECEx (PTB)

### Electrical Data

Type of voltage	AC
AC rated operational voltage	400 V
Rated operational current	6 A
Rated operational current	6 A
Rated switching capacity	10 kA
Auxiliary contacts	1 change-over contact Error signal
No. of poles	3
N-pole present	No
Tripping characteristic	C

### Ambient Conditions

Ambient temperature	-20 °C ... 60 °C
---------------------	------------------

### Mechanical Data

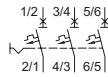
Degree of protection (IP)	IP20
Enclosure material	Epoxy resin
Width, inches	3.9 in
Length	156 mm
Length in inches	6.14 in
Mounting depth	117 mm
Mounting depth in inches	4.61 in

8562/54-3046-060 Art. No. 215059

**Mechanical Data**

Weight	1.8 kg
Weight	3.97 lb

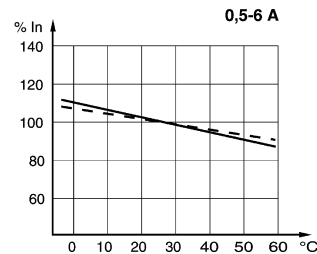
**Technical Drawings – Subject to Alterations**



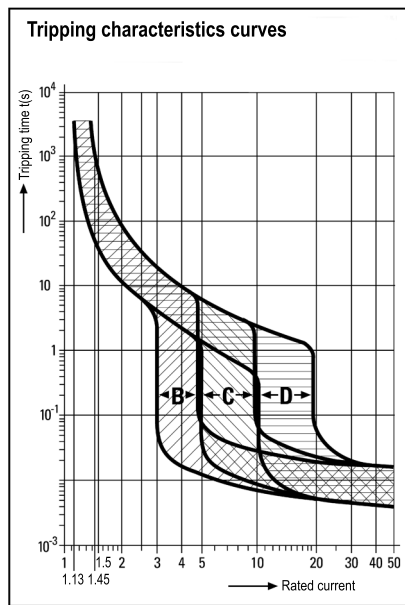
3-pole



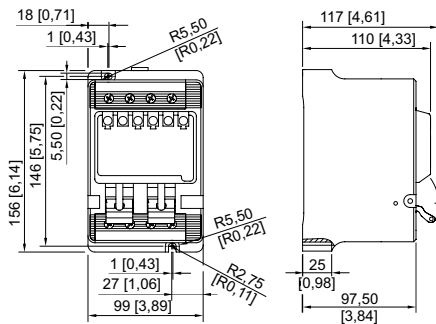
Auxiliary contact 1 change-over contact  
Fault signal contact 1 change-over contact



Correction factors for ambient temperatures which deviate from 30 °C



**Dimensional Drawings (All Dimensions in mm [inches]) – Subject to Alterations**



8562/54

We reserve the right to make alterations to the technical data, dimensions, weights, designs and products available without notice. The illustrations cannot be considered binding.