

## Installation equipment

Maintenance socket 32 A No mechanical locking device

With indicator lamp Maintenance socket

8571/51-507-S-01-0-XX-XXX Art. No. 297656



- Different voltage ranges according to EN 60309
- Wide temperature range
- High mechanical impact and shock resistance
- Perfect protection against penetration of liquids and dusts
- Connection of industrial equipment for service work
- With sign "Do not switch on if there is an explosion hazard"
- 3D data for download on the website

MY R. STAHL 8571T



The R. STAHL 8571/51 series SolConeX repair sockets are used for repair work with non-Ex devices (according to IEC/EN 60309) in Zones 1, 2, 21 and 22. They offer full AC-3 switching capacity up to 32 A and can switch motors/pumps, etc. directly. The indicator lamps displaying the operating status and the large handle, which can be locked in the zero position to protect against unauthorised use, provide added safety.

## Technical Data

### Explosion Protection

Scope of validity	European Union (ATEX) IECEX
Application range (zones)	1 2 21 22
IECEX gas certificate	IECEX PTB 21.0024X
IECEX gas explosion protection	Ex db eb IIC T6 Gb
IECEX dust certificate	IECEX PTB 21.0024X
IECEX dust explosion protection	Ex tb IIIC T76 °C Db
ATEX gas certificate	PTB 06 ATEX 1007 X
ATEX gas explosion protection	Ex II 2 G Ex db eb IIC T6 Gb
ATEX dust certificate	PTB 06 ATEX 1007 X
ATEX dust explosion protection	Ex II 2 D Ex tb IIIC T76 °C Db
Certificates	ATEX (PTB), IECEX (PTB)

### Electrical Data

Rated operational voltage	277/480 to 288/500 V AC
Rated operational current	32 A
Electrical service life	> 2x10 <sup>3</sup> switching cycles
Mechanical service life	> 2x10 <sup>3</sup> switching cycles
Type of voltage	Low voltage
Utilisation category	AC-3: 500 V / 32 A DC-1: 110 V / 32 A
Switching capacity main contacts	7.5 kW: 220 to 240 V 15 kW: 380 to 415 V
Frequency range	50 / 60 Hz

# Installation equipment

Maintenance socket 32 A No mechanical locking device

With indicator lamp Maintenance socket

8571/51-507-S-01-0-XX-XXX Art. No. 297656



## Device Specific Data

Back-up fuse with thermal protection	63 A gG
Back-up fuse without thermal protection	35 A gG

## Ambient Conditions

Ambient temperature	-50 °C ... +65 °C
Ambient temperature	-58 °F ... +149 °F
Ambient temperature note	For further information, see the operating instructions.

## Mechanical Data

Degree of protection IP (IEC 60529)	IP66
IP degree of protection (IEC 60079)	IP64
Enclosure material	Polyamide, Glass fibre reinforced
Silicone-free	No
Solid connection cross-section	1 x 2.5 mm <sup>2</sup> ... 2 x 10 mm <sup>2</sup>
Connection cross-section AWG single stranded	1 x AWG 14 ... 2 x AWG 8
Finely stranded connection cross-section	1 x 2.5 mm <sup>2</sup> ... 2 x 6 mm <sup>2</sup>
Finely stranded connection cross-section AWG	1 x AWG 14 ... 2 x AWG 10
Width	135 mm
Width in inches	5.31 in
Height	206 mm
Height, inches	8.12 in
Length	280 mm
Length, inches	11.04 in
Impact strength (IEC 60079)	7 J
Impact strength (IEC 62262)	IK10
Colour code	Black
Coding (clock hour position)	7
Lockable in	in 0- and I-position
Series	SolConeX
Detailed number of poles	3 P + N + PE
Weight	-

## Mounting / Installation

Connection	Screw terminal
------------	----------------

## Components

Cable entry note	Entry 1: Lower left Entry 2: Lower right
Entry 1 model	8161/7-M32-2109-LT
Entry 1 type	Polyamide cable gland
Entry 1	M32 x 1.5
Entry 1 terminal area	9 – 21 mm
Entry 1 clamping range, inch	0.35 – 0.83 in
Metal entry possible 1	No
Entry 2 model	8290/3-M32
Entry 2 type	Polyamide stopping plug
Entry 2	M32 x 1.5

# Installation equipment



Maintenance socket 32 A No mechanical locking device

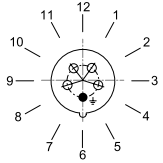
With indicator lamp Maintenance socket

8571/51-507-S-01-0-XX-XXX Art. No. 297656

## Components

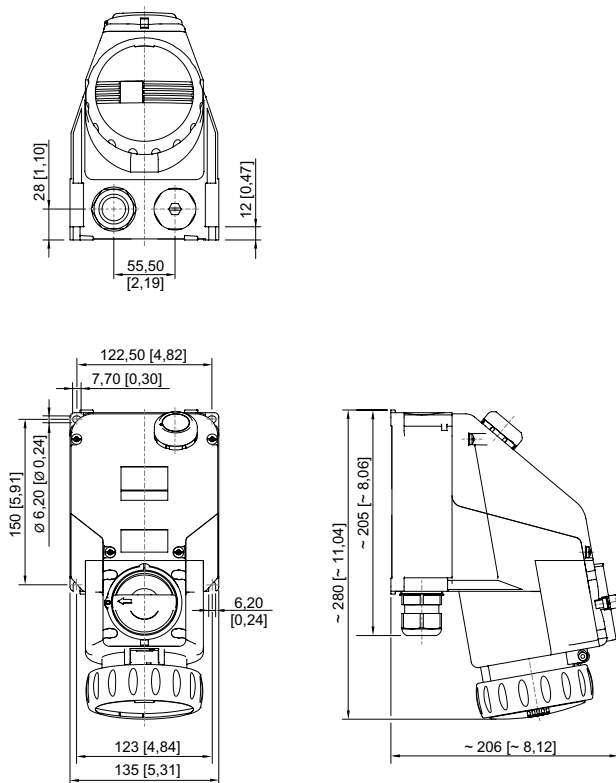
Metal entry possible 2	No
------------------------	----

## Technical Drawings – Subject to Alterations



Position of clock hour position  
Example: 6 h position

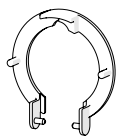
## Dimensional Drawings (All Dimensions in mm [inches]) – Subject to Alterations



4-pole/5-pole maintenance socket

## Accessories

### Dust cover for sockets, series 8571



Retrofittable dust protection for 5-pole sockets

Art. No.

253117

## Spare Parts

### Repair set for Series 8571 sockets

Art. No.

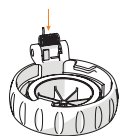
## Installation equipment



Maintenance socket 32 A No mechanical locking device

With indicator lamp Maintenance socket

8571/51-507-S-01-0-XX-XXX Art. No. 297656



Repair set 8571 hinged cover, 5-pole, black

275490

We reserve the right to make alterations to the technical data, dimensions, weights, designs and products available without notice. The illustrations cannot be considered binding.