

8510/112-05-400-250 Art. No. 217526



- One device suitable for all motor outputs
- Direct measurement of temperature in the stator winding via PTC resistors
- Robust modules for anti-vibration screw connection in Ex e enclosures

MY R. STAHL 8510K



The R. STAHL Series 8510 thermistor motor protection relay offers motor protection for all motor outputs since it detects overheating via a direct measurement of the motor winding temperature: PTC resistors measure the stator winding temperature and trigger the relay when the limit value is reached. Only after cooling down does it switch back to normal operation. Optional: The relay only switches back on again only after pressing the "RESET" button

### Technical Data

#### Explosion Protection

Application range (zones)	1 2
IECEX gas certificate	IECEX BVS 07.0029U
IECEX gas explosion protection	Ex db eb IIC Gb
IECEX firedamp certificate	IECEX BVS 07.0029U
IECEX firedamp protection	Ex db eb I Mb
ATEX gas certificate	DMT 00 ATEX E 073 U
ATEX gas explosion protection	Ex II 2 G Ex db eb IIC Gb
ATEX firedamp certificate	DMT 00 ATEX E 073 U
ATEX firedamp protection	Ex I M2 Ex db eb I Mb
Certificates	ATEX (BVS), Brazil (ULB), Canada (FM), China (CQST), IECEX (BVS), USA (FM)

#### Electrical Data

Rated operational voltage 2	24 to 240 V AC/DC
-----------------------------	-------------------

#### Ambient Conditions

Ambient temperature	-20 °C ... +60 °C
---------------------	-------------------

#### Mechanical Data

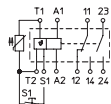
Degree of protection (IP)	IP20
Enclosure material	Epoxy resin
Min. connection terminals	0.75 mm <sup>2</sup>
Max. solid connection terminals	2.5 mm <sup>2</sup>
Max. finely stranded connection terminals	1.5 mm <sup>2</sup>
Type of connection cable	Finely stranded Solid
Width	48 mm
Height	130 mm
Depth	168 mm

8510/112-05-400-250 Art. No. 217526

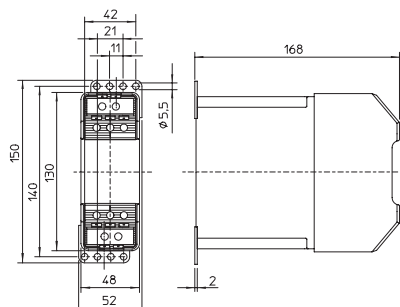
### Mechanical Data

Weight	1.25 kg
Weight	2.76 lb

### Technical Drawings – Subject to Alterations



### Dimensional Drawings (All Dimensions in mm [inches]) – Subject to Alterations



8510/112

We reserve the right to make alterations to the technical data, dimensions, weights, designs and products available without notice. The illustrations cannot be considered binding.