

8510/122-05-235-130 Art. No. 217532



- Cost-effective overload protection for motors
- Easy to adjust and reset the release
- Robust modules, simple and anti-vibration installation

MY R. STAHL 8510J



R. STAHL Series 8510 motor protection relays offer cost-effective overload protection for motors with adjustment ranges up to 22.5 A. The release can be easily adjusted and reset. The relay modules in the corrosion-resistant enclosure have an anti-vibration screw connection in Ex e enclosures. Easily accessible terminals enable a safe connection and simple installation.

Technical Data

Explosion Protection

| | |
|--------------------------------|--|
| Application range (zones) | 1 2 |
| IECEX gas certificate | IECEX BVS 07.0029U |
| IECEX gas explosion protection | Ex db eb IIC Gb |
| IECEX firedamp certificate | IECEX BVS 07.0029U |
| IECEX firedamp protection | Ex db eb I Mb |
| ATEX gas certificate | DMT 00 ATEX E 073 U |
| ATEX gas explosion protection | Ex II 2 G Ex db eb IIC Gb |
| ATEX firedamp certificate | DMT 00 ATEX E 073 U |
| ATEX firedamp protection | Ex I M2 Ex db eb I Mb |
| Certificates | ATEX (BVS), Brazil (ULB), Canada (FM), China (CQST), IECEX (BVS), USA (FM) |

Electrical Data

| | |
|-----------------------------|-----------------|
| Rated operational voltage 2 | 690 V AC |
| Current-setting range | 10 – 16 A |
| Main contacts | 3-pole (3 NO) |
| Auxiliary contacts | 2 (1 NO + 1 NC) |

Ambient Conditions

| | |
|---------------------|-------------------|
| Ambient temperature | -20 °C ... +60 °C |
|---------------------|-------------------|

Mechanical Data

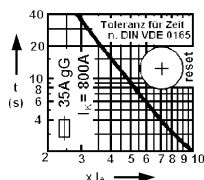
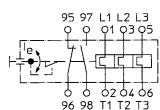
| | |
|--|---------------------|
| Degree of protection (IP) | IP20 |
| Enclosure material | Epoxy resin |
| Min. connection terminals | 1.5 mm ² |
| Max. solid connection terminals | 10 mm ² |
| Max. finely stranded connection terminals | 6 mm ² |
| Max. auxiliary contact connection cross-section, solid | 2.5 mm ² |

8510/122-05-235-130 Art. No. 217532

Mechanical Data

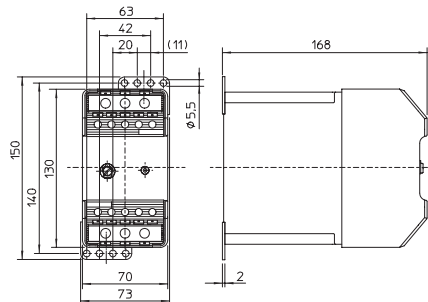
| | |
|--|--------------------------|
| Max. auxiliary contact connection cross section, finely stranded | 1.5 mm ² |
| Type of connection cable | Finely stranded Solid |
| Width | 70 mm |
| Height | 130 mm |
| Depth | 168 mm |
| Weight | 1.3 kg |
| Weight | 2.87 lb |

Technical Drawings – Subject to Alterations



Adjustment range: 10.0 - 16.0 A

Dimensional Drawings (All Dimensions in mm [inches]) – Subject to Alterations



We reserve the right to make alterations to the technical data, dimensions, weights, designs and products available without notice. The illustrations cannot be considered binding.