

8510/122-05-235-140 Art. No. 217533



- Cost-effective overload protection for motors
- Easy to adjust and reset the release
- Robust modules, simple and anti-vibration installation

MY R. STAHL 8510J



R. STAHL Series 8510 motor protection relays offer cost-effective overload protection for motors with adjustment ranges up to 22.5 A. The release can be easily adjusted and reset. The relay modules in the corrosion-resistant enclosure have an anti-vibration screw connection in Ex e enclosures. Easily accessible terminals enable a safe connection and simple installation.

Technical Data

Explosion Protection

Application range (zones)	1 2
IECEX gas certificate	IECEX BVS 07.0029U
IECEX gas explosion protection	Ex db eb IIC Gb
IECEX firedamp certificate	IECEX BVS 07.0029U
IECEX firedamp protection	Ex db eb I Mb
ATEX gas certificate	DMT 00 ATEX E 073 U
ATEX gas explosion protection	⊕ II 2 G Ex db eb IIC Gb
ATEX firedamp certificate	DMT 00 ATEX E 073 U
ATEX firedamp protection	⊕ I M2 Ex db eb I Mb
Certificates	ATEX (BVS), Brazil (ULB), Canada (FM), China (CQST), IECEX (BVS), USA (FM)

Electrical Data

Rated operational voltage 2	690 V AC
Current-setting range	16 – 22.5 A
Main contacts	3-pole (3 NO)
Auxiliary contacts	2 (1 NO + 1 NC)

Ambient Conditions

Ambient temperature	-20 °C ... +60 °C
---------------------	-------------------

Mechanical Data

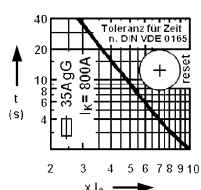
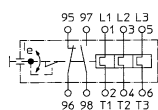
Degree of protection (IP)	IP20
Enclosure material	Epoxy resin
Min. connection terminals	1.5 mm ²
Max. solid connection terminals	10 mm ²
Max. finely stranded connection terminals	6 mm ²
Max. auxiliary contact connection cross-section, solid	2.5 mm ²

8510/122-05-235-140 Art. No. 217533

Mechanical Data

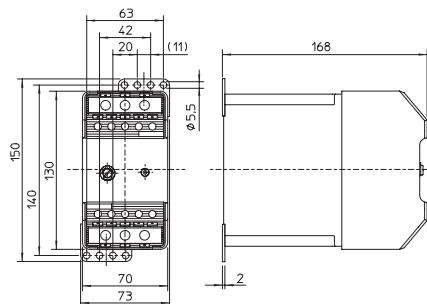
Max. auxiliary contact connection cross section, finely stranded	1.5 mm ²
Type of connection cable	Finely stranded Solid
Width	70 mm
Height	130 mm
Depth	168 mm
Weight	1.3 kg
Weight	2.87 lb

Technical Drawings – Subject to Alterations



Adjustment range: 16.0 - 22.5 A

Dimensional Drawings (All Dimensions in mm [inches]) – Subject to Alterations



We reserve the right to make alterations to the technical data, dimensions, weights, designs and products available without notice. The illustrations cannot be considered binding.