

# Signalling devices



## Visual signalling device Xenon flashing beacon

In flameproof enclosure

FX15/C-D-050-B-EN-SF-A-ST-00-00-00 Art. No. 217992



- Lamp: Flashing beacon – XENON (5 J)/continuous beacon – LED (6.5 W)
- Type of protection: Ex d
- Class: IP66/IP67 (IEC 60529/NEMA 4X)
- Corrosion-resistant GRP enclosure
- Including stainless steel protective cage
- Eight light-amplifying Fresnel lens colours can be ordered
- Low weight (2.25 kg)

MY R. STAHL FX15A



The **FX15 product series** provides visual signals as a continuous beacon with LED or a 5 J flashing beacon with xenon flashes. The enclosure is made from glass fibre reinforced polyester. The product series is intended for use in hazardous and harsh environments.

### Technical Data

#### Explosion Protection

|                                 |   |
|---------------------------------|---|
| Scope of validity               | IECEX<br>European Union (ATEX)            |
| Application range (zones)       | 1<br>2<br>21<br>22                        |
| IECEX gas certificate           | IECEX BAS 13.0003                         |
| IECEX gas explosion protection  | Ex d IIC T6 ... T4 Gb                     |
| IECEX dust certificate          | IECEX BAS 13.0003                         |
| IECEX dust explosion protection | Ex tb IIIC T73 °C ... T103 °C Db          |
| ATEX gas certificate            | Baseefa 13 ATEX 0006                      |
| ATEX gas explosion protection   | ⊕ II 2 G Ex d IIC T6 ... T4 Gb            |
| ATEX dust certificate           | Baseefa 13 ATEX 0006                      |
| ATEX dust explosion protection  | ⊕ II 2 D Ex tb IIIC T73 °C ... T103 °C Db |
| Certificates                    | ATEX (BAS), IECEX (BAS)                   |
| Declaration of Conformity       | ATEX (EUK)                                |

#### Electrical Data

|                              |              |
|------------------------------|--------------|
| Rated operational voltage DC | 24 V         |
| Tolerance                    | -10 ... 10 % |

#### Lighting Data

|            |                   |
|------------|-------------------|
| Lamp       | Xenon flash tubes |
| Flashbulb  | 5 J               |
| Flash rate | 1 Hz              |

#### Ambient Conditions

|                       |  |
|-----------------------|--|
| Ambient temperature   | -60 °C ... +40 °C (T6)<br>-60 °C ... +55 °C (T5)<br>-60 °C ... +70 °C (T4) |
| Operating temperature | -50 °C ... +70 °C  |

# Signalling devices



Visual signalling device Xenon flashing beacon

In flameproof enclosure

FX15/C-D-050-B-EN-SF-A-ST-00-00-00 Art. No. 217992

## Mechanical Data

|   |   |
|---|---|
| Degree of protection (IP)                 | IP66                                    |
| Degree of protection (IP) (IEC 60529)     | IP66/IP67                               |
| Enclosure material                        | Polyester (GRP), Glass fibre reinforced |
| Enclosure colour                          | Black                                   |
| Sealing material                          | Red silicone 70                         |
| Material dome                             | Polycarbonate, prismatic                |
| Wire guard material                       | Stainless steel                         |
| Max. solid connection terminals           | 2.5 mm <sup>2</sup>                     |
| Max. finely stranded connection terminals | 2.5 mm <sup>2</sup>                     |
| Type of connection cable                  | Finely stranded<br>Solid                |
| Width                                     | 137 mm                                  |
| Height                                    | 239 mm                                  |
| Length                                    | 148 mm                                  |
| Lens colour                               | Blue                                    |
| Seal                                      | O-ring seal                             |
| Weight                                    | 2.23 kg                                 |
| Weight                                    | 4.92 lb                                 |

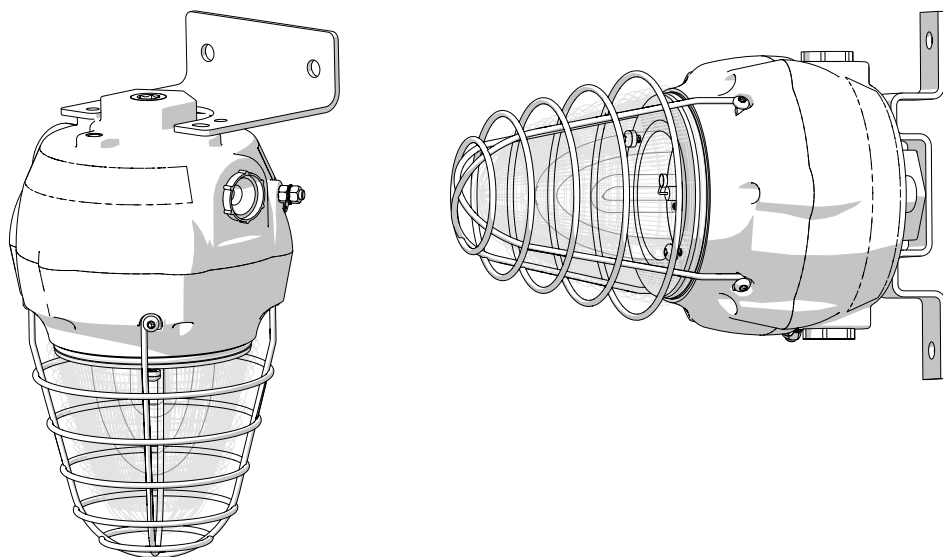
## Mounting / Installation

|                        |                               |
|------------------------|-------------------------------|
| Connection type        | Screw terminal                |
| Mounting part material | Stainless steel               |
| Note about mounting    | Can be ordered as accessories |

## Components

|                          |                               |
|--------------------------|-------------------------------|
| Drilled holes            | 3 x M20                       |
| Cable glands and entries | Can be ordered as accessories |
| Stopping plugs           | 3 x dust cap                  |
| Wire guard               | Yes                           |

## Technical Drawings – Subject to Alterations



# Signalling devices

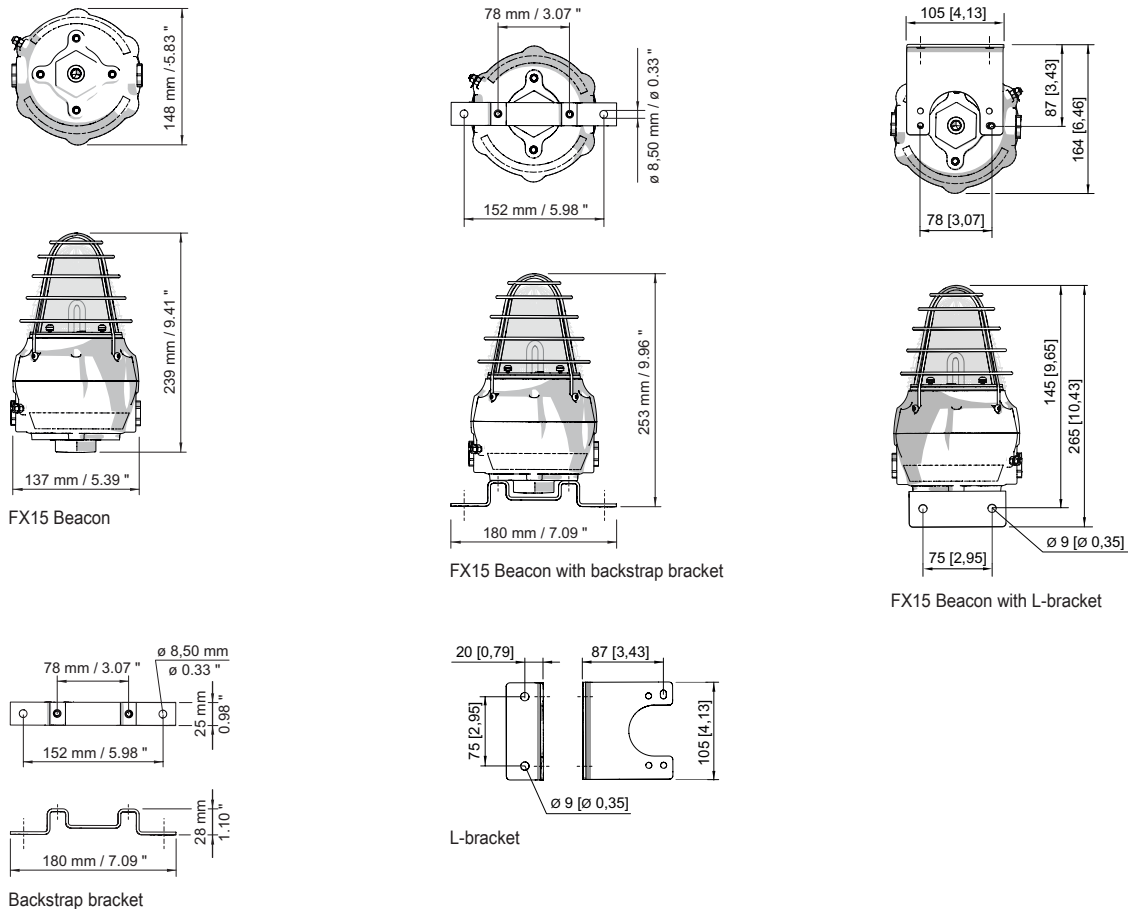
Visual signalling device Xenon flashing beacon

In flameproof enclosure

FX15/C-D-050-B-EN-SF-A-ST-00-00-00 Art. No. 217992



## Dimensional Drawings (All Dimensions in mm [inches]) – Subject to Alterations



## Accessories

### Metal cable gland

|  |  | Art. No. |
|--|--|----------|
|  | Ex d and Ex e cable gland with compound for all types of armoured cables (SWA, wire-braid, tape) (nickel-plated brass)<br>Type 20PX2K, M20 x 1.5                                     | 109428   |
|  | Ex d and Ex e cable glands with RapidEx sealing system for all types of unarmoured cables and wire-braid-armoured cables (nickel-plated brass)<br>Type 20PX2K-REX, M20 x 1.5         | 246649   |
|  | Ex d and Ex e cable glands with compound for all types of unarmoured cables and wire-braid-armoured cables (nickel-plated brass)<br>Type 20PXSS2K, M20 x 1.5                         | 109441   |
|  | Ex d and Ex e cable glands with RapidEx sealing system for all types of unarmoured cables and wire-braid-armoured cables (nickel-plated brass)<br>Type 20PXSS2K-REX, M20 x 1.5       | 246605   |
|  | Ex d and Ex e cable gland for all types of unarmoured cables (SWA, wire-braid, tape) (nickel-plated brass) with a special compensating sliding seal (CDS)<br>Type 20T3CDS, M20 x 1.5 | 246561   |

## Signalling devices

Visual signalling device Xenon flashing beacon


In flameproof enclosure

FX15/C-D-050-B-EN-SF-A-ST-00-00-00 Art. No. 217992

STAHL


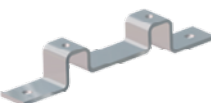
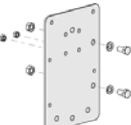


### Stopping plug

Art. No.

|  |   |        |
|--|---|--------|
|  | Stainless steel stopping plug M20x1.5 with hexagon insert bit | 251101 |
|--|---|--------|

### Mounting accessories


Art. No.

|  |   |        |
|--|---|--------|
|    | Stainless steel L-bracket, standard version | 221711 |
|  | Stainless steel L-bracket, long version     | 247371 |
|    | Stainless steel fastening bracket           | 221712 |
|    | Adapter plate for pipe clamp fastening      | 256519 |
|   | Stainless steel sun shield                  | 262077 |
|  | Pipe clamp, R 1 1/4"                        | 120812 |
|  | Pipe clamp, R 1 1/2"                        | 120819 |
|  | Pipe clamp, R 2"                            | 120823 |

### Spare Parts


#### Flange

Art. No.

|  |   |        |
|--|---|--------|
|  | Flange, ATEX, blue (available for FL6S, FX15, YL6S) | 243406 |
|--|---|--------|


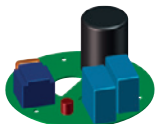
#### Fresnel lens

Art. No.

|  |                           |        |
|--|---------------------------|--------|
|  | Fresnel lens, blue, spare | 292141 |
|--|---------------------------|--------|

#### PCB

Art. No.

|  |   |        |
|--|---|--------|
|  | Connection PCB  | 223579 |
|  | Electronic PCB, 24 V DC, 5 J (available for FL6S, FX15, YL6S) | 223635 |

## Signalling devices



Visual signalling device Xenon flashing beacon

In flameproof enclosure

FX15/C-D-050-B-EN-SF-A-ST-00-00-00 Art. No. 217992

| Lamp   |            | Art. No. |
|--|------------|----------|
|  | Xenon lamp | 223636   |

We reserve the right to make alterations to the technical data, dimensions, weights, designs and products available without notice. The illustrations cannot be considered binding.