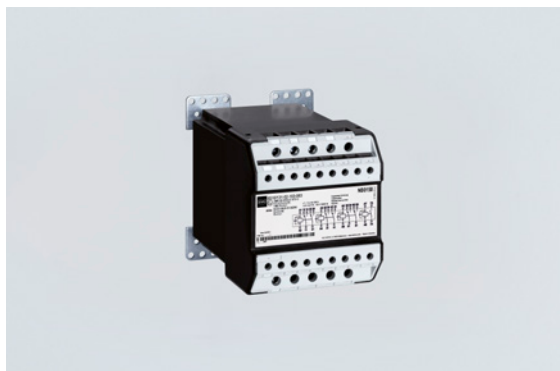


8510/131-02-102-224 Art. No. 221962



- Up to 4 relays possible
- Corrosion-resistant enclosure material

MY R. STAHL 8510Z



The R. STAHL Series 8510 relay is a type-tested standard component and can contain up to 4 relays. It can be fitted in Ex e enclosures using an anti-vibration screw connection, easily accessible terminals simplify installation.

Technical Data

Explosion Protection

Application range (zones)	1 2
IECEX gas certificate	IECEX BVS 07.0029U
IECEX gas explosion protection	Ex db eb IIC
IECEX firedamp certificate	IECEX BVS 07.0029U
IECEX firedamp protection	Ex de I
ATEX gas certificate	DMT 00 ATEX E 073 U
ATEX gas explosion protection	Ex II 2 G Ex db eb IIC
ATEX firedamp certificate	DMT 00 ATEX E 073 U
ATEX firedamp protection	Ex I M2 Ex de I
Certificates	Brazil (ULB), China (CQST), IECEX (BVS)

Electrical Data

Rated actuating voltage	24 V DC
Type of voltage	DC

Ambient Conditions

Ambient temperature	-20 °C ... +60 °C
---------------------	-------------------

Mechanical Data

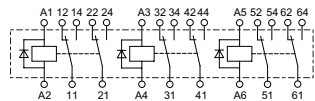
Version	With freewheeling diode
Degree of protection (IP)	IP20
Enclosure material	Epoxy resin
Connection cross-section	1.5 mm ²
Number of relays	3
Number of relay contacts	2 change-over contacts per
Type of connection cable	Solid Finely stranded
Width	115 mm
Height	130 mm
Depth	110.5 mm

8510/131-02-102-224 Art. No. 221962

Mechanical Data

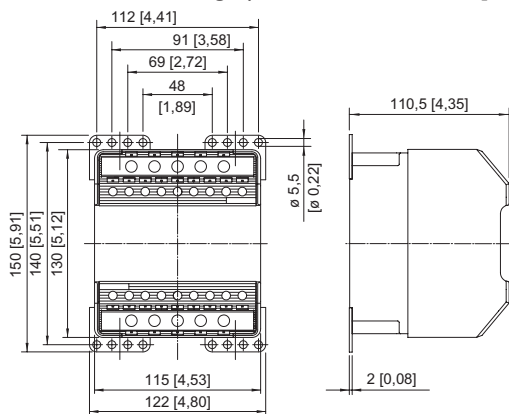
Weight	1 kg
Weight	2.2 lb

Technical Drawings – Subject to Alterations



8510/131-02-102-2..

Dimensional Drawings (All Dimensions in mm [inches]) – Subject to Alterations



8510/131

We reserve the right to make alterations to the technical data, dimensions, weights, designs and products available without notice. The illustrations cannot be considered binding.